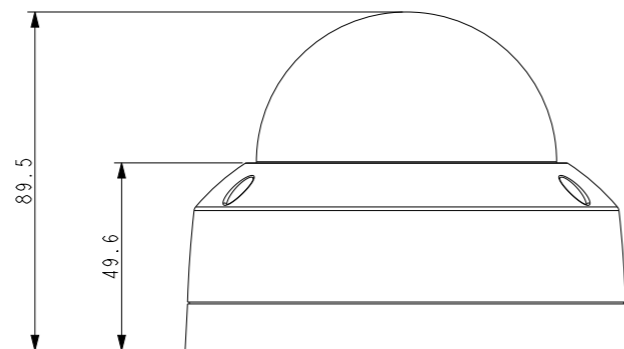
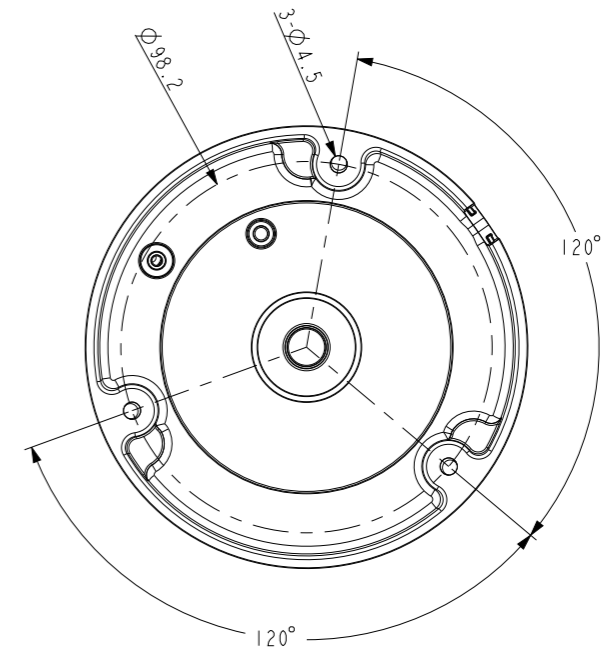
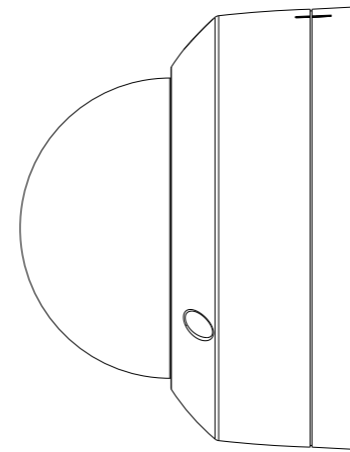
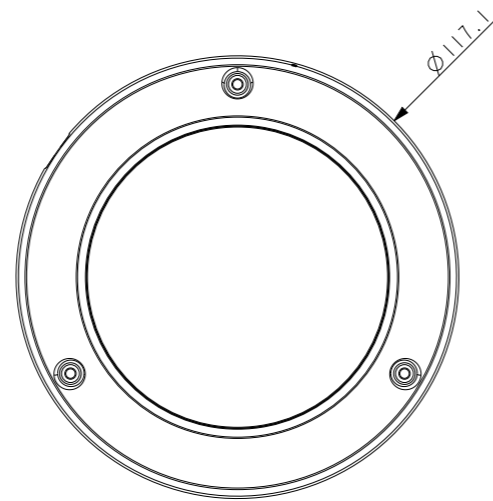
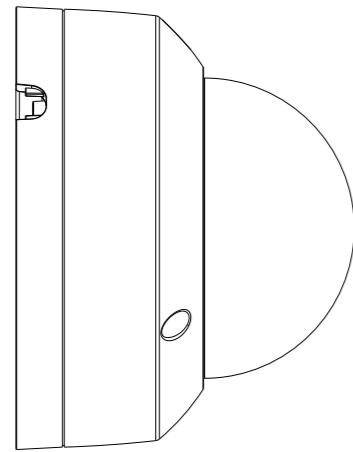
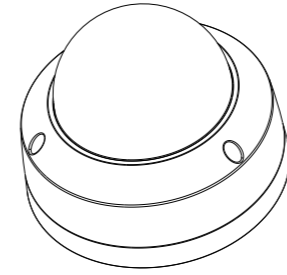
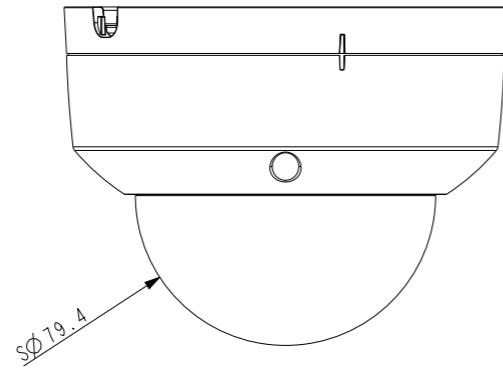




REVISIONS

REV	DESCRIPTION	POSITION	ENGINEER	DATE
00	New Edition			19-Feb-25



Default tolerance: grade F						
Dimension tolerance range(mm)						
Class	0.5-3	3-6	6-30	30-120	120-400	400-1000
F	±0.05	±0.05	±0.1	±0.15	±0.2	±0.3
M	±0.1	±0.1	±0.2	±0.3	±0.5	±0.8
C	±0.2	±0.3	±0.5	±0.8	±1.2	±2
USER						

Angle tolerance range(°) (Base on the length of short dimension)					
Class	≤10	10-50	50-120	120-400	>400
F	±1°	±0°30'	±0°20'	±0°10'	±0°5'
M					
C	±1°30'	±1°	±0°30'	±0°15'	±0°10'
USER					

VIVOTEK
A DELTA GROUP COMPANY

THESE DRAWINGS AND SPECIFICATIONS ARE THE PROPERTY OF VIVOTEK, INC. AND SHALL NOT BE REPRODUCED OR USED AS THE BASIS FOR THE MANUFACTURE OR SELL OF APPARATUS OR DEVICES WITHOUT PERMISSION.

CP02-W1-014-01-7

PART NO.					
ENGR		MODEL	FD938(9)0-HV-V2		
DRN		DESCRIPTION	FD9380-HV-V2_SIX_VIEW		
CHK		ISSUE DATE	19-Feb-25	REVISION	00
M'TL		SCALE	1:2	UNIT	mm
FINISH		SIZE	A3	SHEET	1 OF 1
THIRD ANGLE PROJECTION					