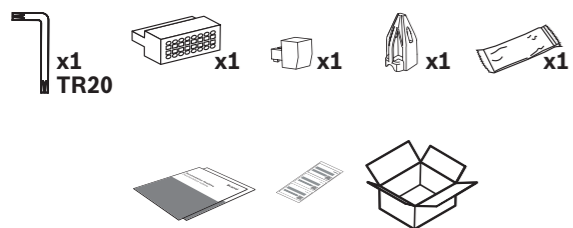
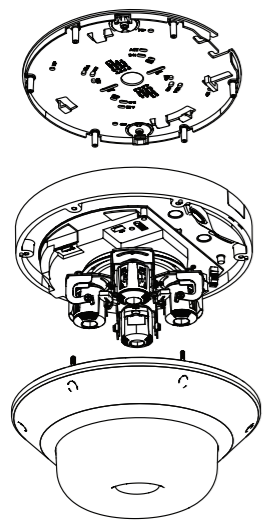
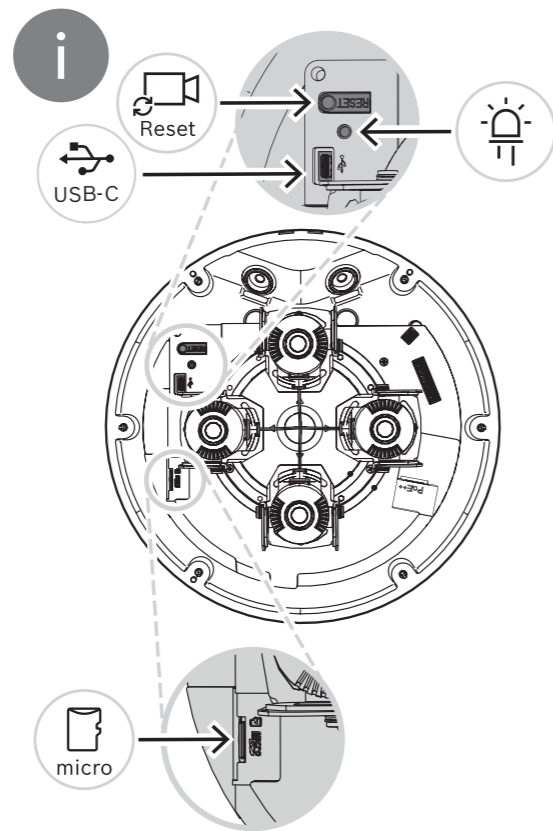


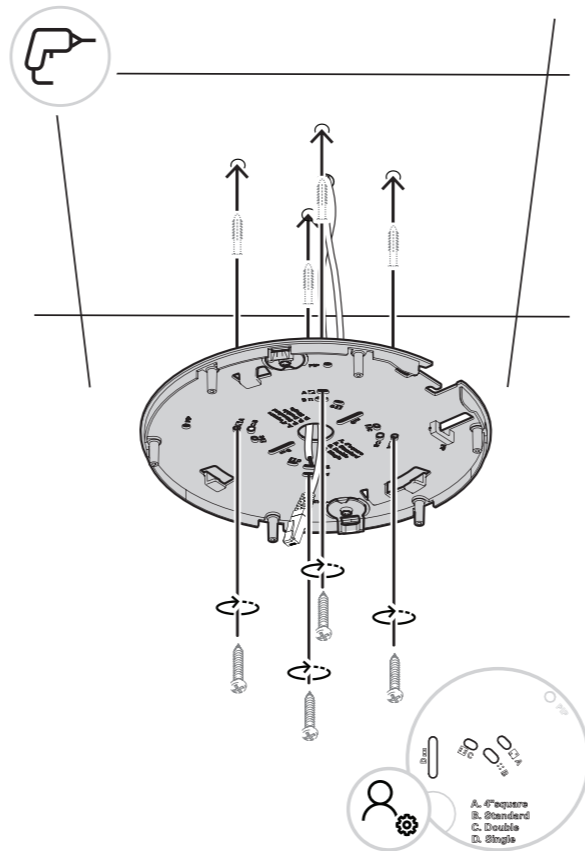
1 |



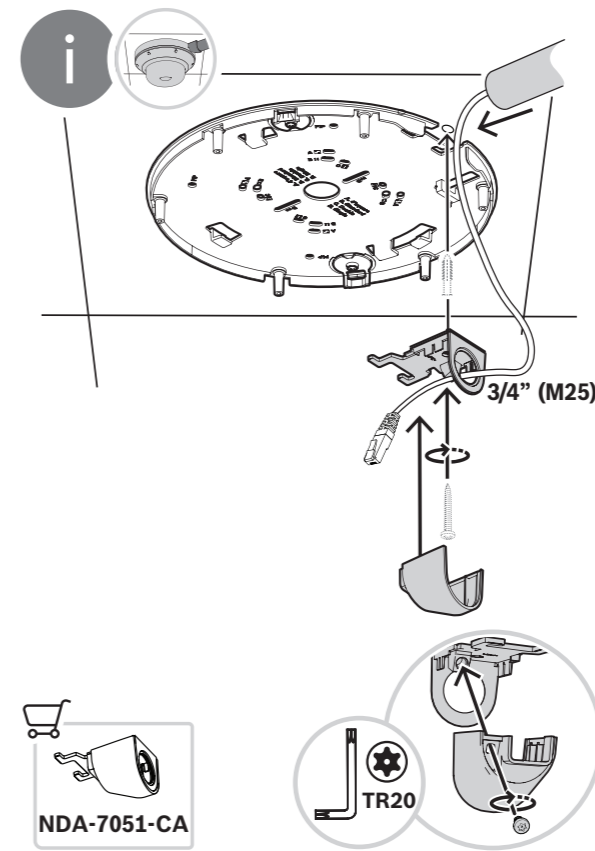
2 |



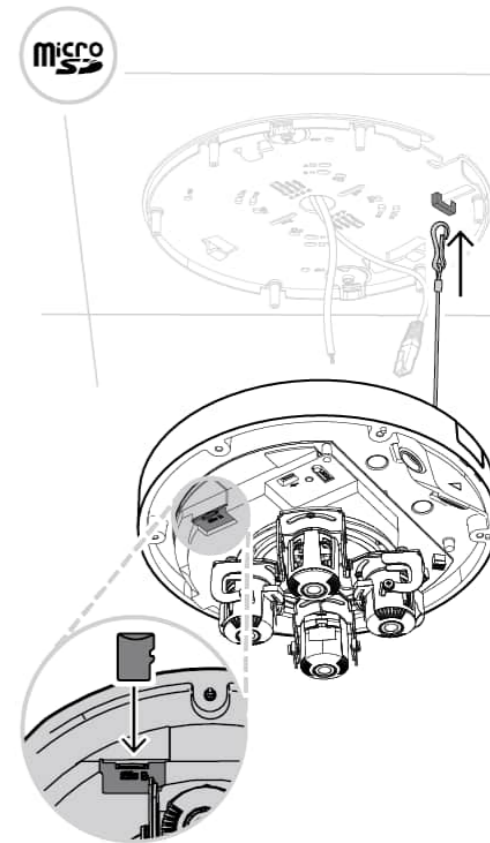
3 |



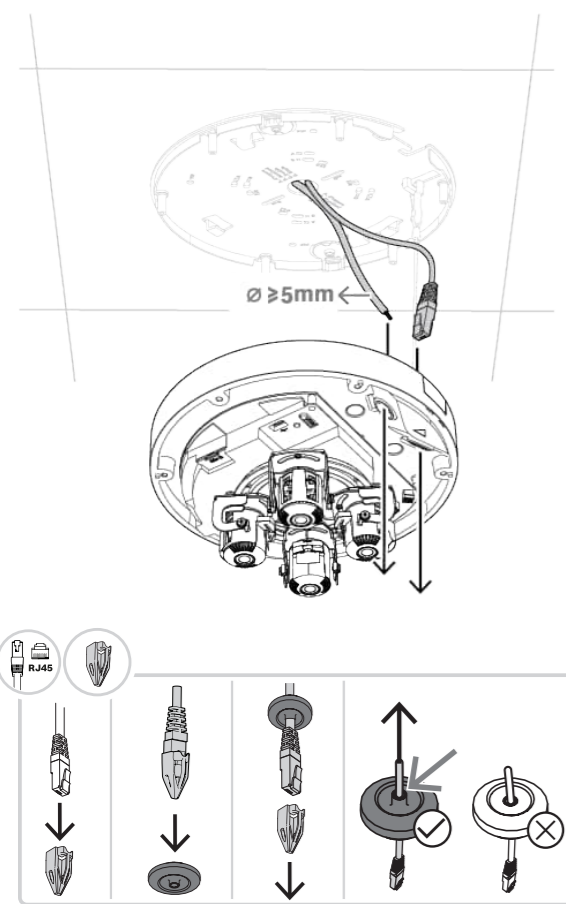
4 |



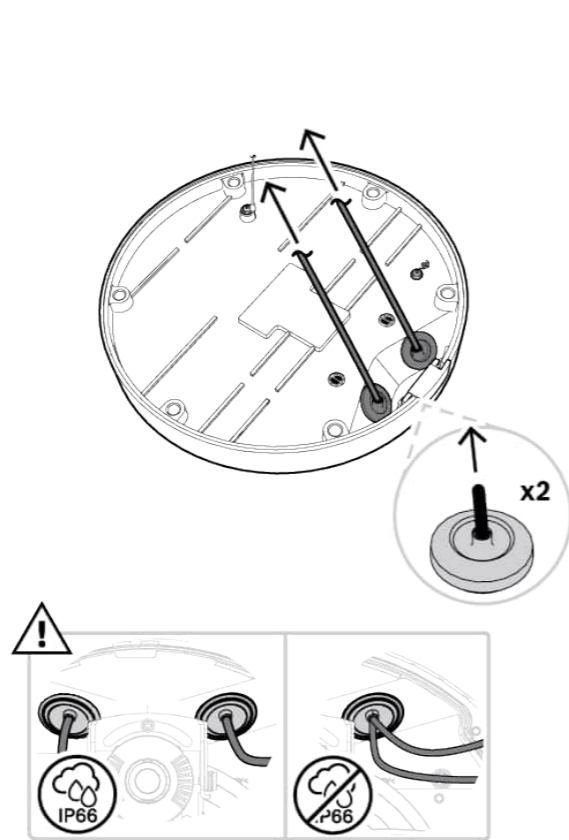
5 |



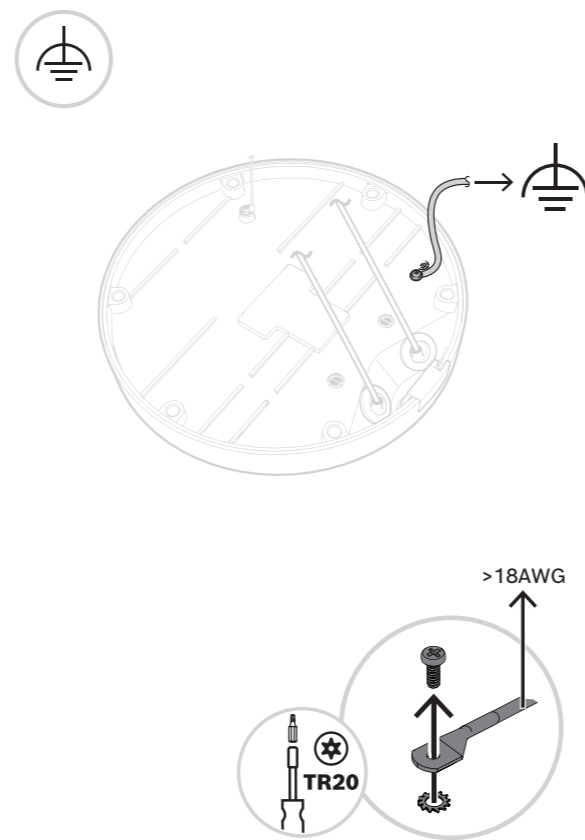
6 |



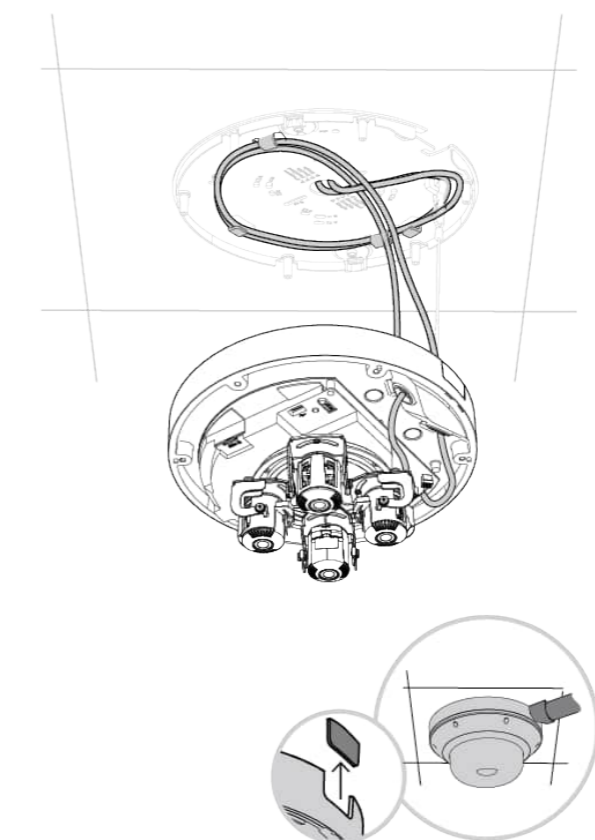
7 |



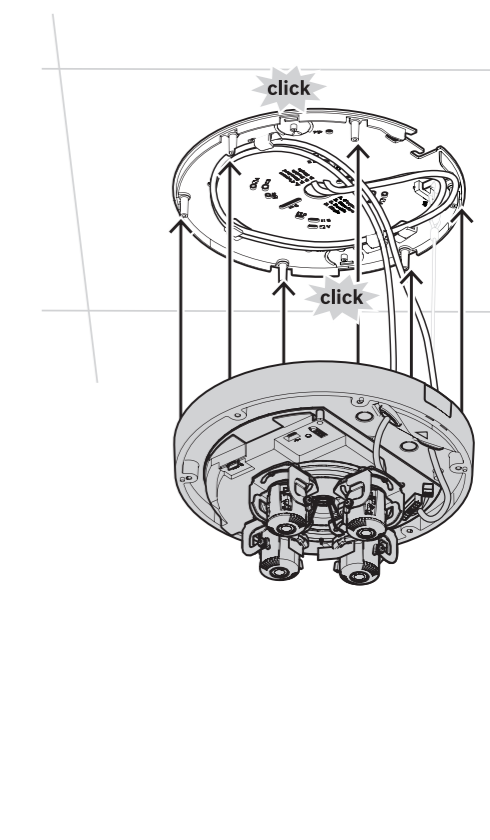
8 |



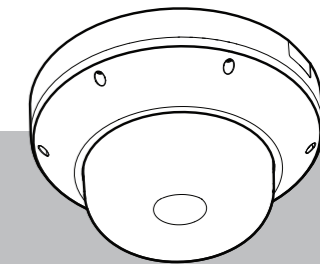
9 |



10 |



**FLEXIDOME multi 7000 IR**  
NDM-7702-AL | NDM-7703-AL



en Quick installation guide

**Bosch Security Systems B.V.**  
Torenallee 49  
5617 BA Eindhoven  
Netherlands  
[www.boschsecurity.com](http://www.boschsecurity.com)  
© Bosch Security Systems B.V., 2022

Building solutions for a better life.

2022-03 | v03 | F.01U.389.264 | 202203151017

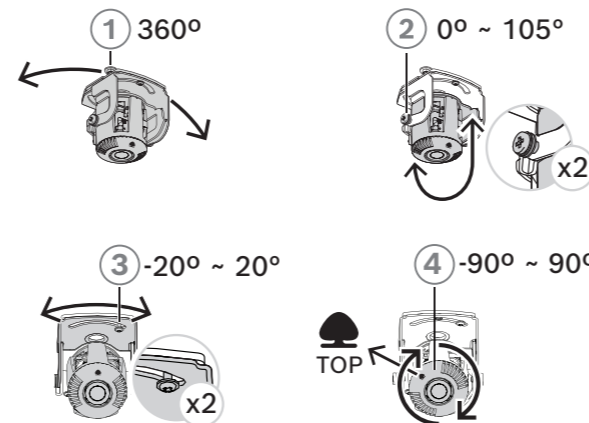
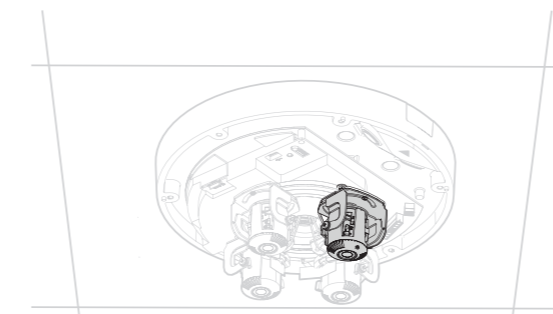
14 |

**Project Assistant app**  
Windows | iOS | Android

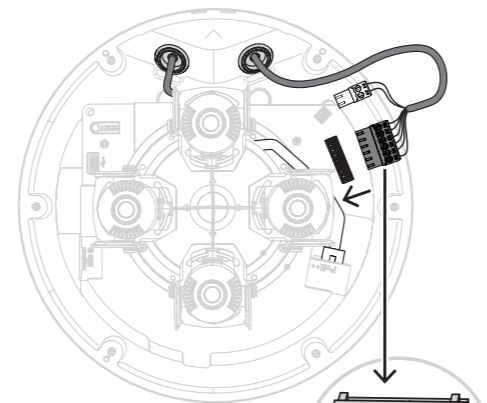


<https://downloadstore.boschsecurity.com/>

13 |

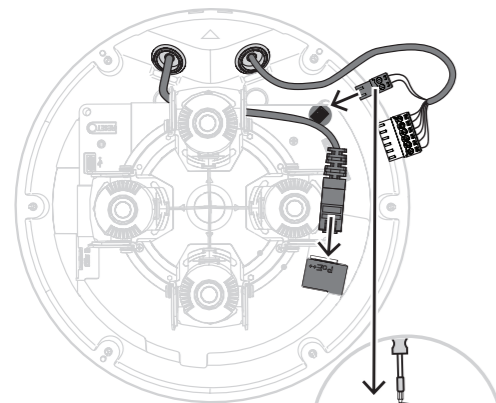
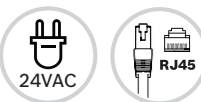


12 |



Audio				Alarm			
IN	GND	OUT	GND	IN	GND	OUT	OUT

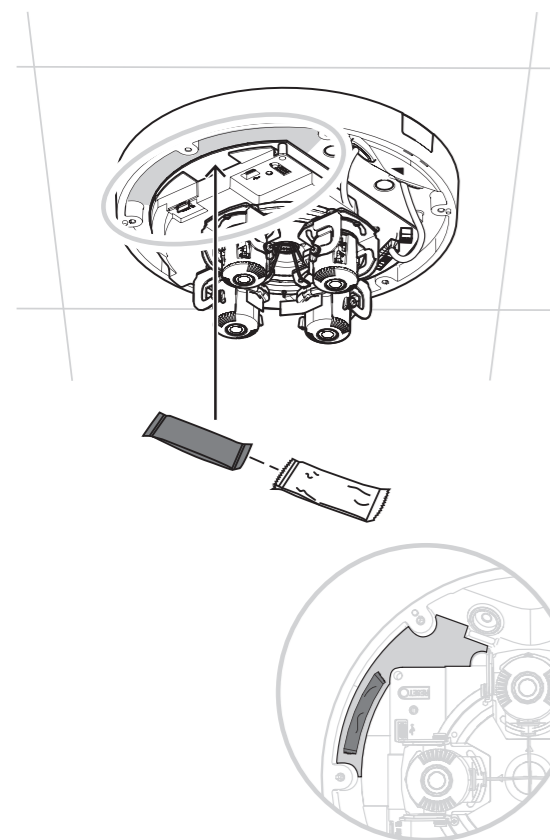
11 |



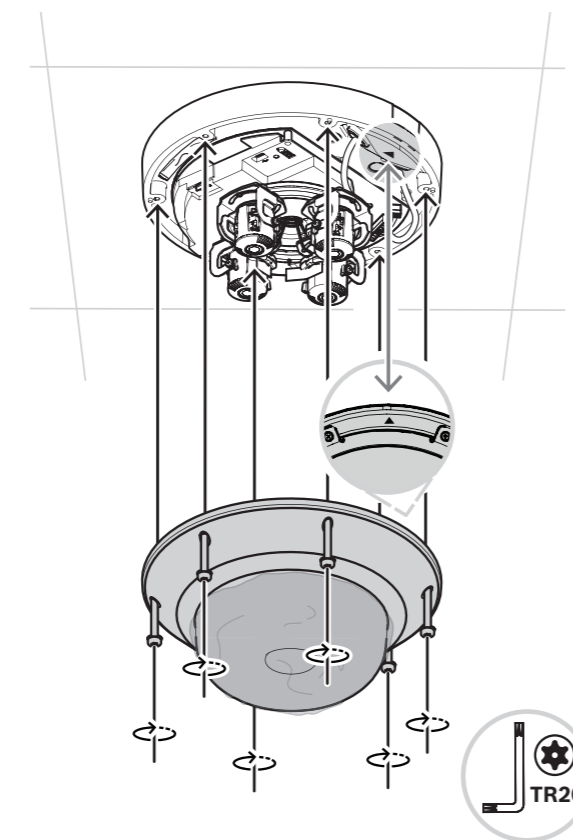
8 mm  
(0.3")  
24 VAC

7 mm  
(0.28")

15 |



16 |



17 |

