

ENGLISH

Diagram References

1 Appearance

- ① Screen
- ② Microphone
- ③ Unlock Button
- ④ RS-485/Relay Interface
- ⑤ Debugging Port
- ⑥ microUSB Interface
- ⑦ Loudspeaker
- ⑧ TAMPER
- ⑨ TF Card Slot
- ⑩ Alarm Terminals
- ⑪ Power Supply Interface
- ⑫ Network Interface

**Notes:**  
 • The appearance of the device varies according to different models. Refers to the actual device for detailed information.  
 • The debugging port is used for debugging only.

2 Terminal and Wiring

- AIN1: Alarm Input 1
- AIN2: Alarm Input 2
- AIN3: Alarm Input 3
- AIN4: Alarm Input 4
- NO1: Normally Open
- NC: Normally Closed
- COM1: Common Interface
- AIN5: Alarm Input 5
- AIN6: Alarm Input 6
- AIN7: Alarm Input 7
- AIN8: Alarm Input 8
- GND: Grounding
- AO1: Alarm Output
- RS485-/RS485+: RS-485 Communication Interface

3 Installation

★ Mounting Accessories

The wall mounting plate and the gang box are required to install the indoor station onto the wall. There are 2 sizes of the gang boxes adapted to the device.  
 Size 1: 75 mm (width) × 75 mm (length) × 46 mm (depth).  
 Size 2: 55 mm (width) × 101 mm (length) × 38.5 mm (depth).

- Before you begin:**
- Make sure the device in the package is in good condition and all the assembly parts are included.
  - The power supply of the indoor station is 12 VDC. Make sure your power supply matches your indoor station.
  - Make sure all related equipments are power-off during the installation.
  - Check the product specification for the installation environment.

★ Wall Mounting with Gang Box

1. Cave a hole in the wall.
  - Note:** The suggested dimension of the installation hole should be larger than the gang box.
  2. Insert a gang box to the hole chiseled on the wall.
  3. Fix the wall mounting plate to the gang box with 2 screws.
- Notes:**  
 If you install the device with a gang box (75 mm (width) × 75 mm (length) × 46 mm (depth)), the upper and lower holes will be applies.  
 If you install the device with a gang box (55 mm (width) × 101 mm (length) × 38.5 mm (depth)), the upper and lower holes will be applies.
4. Hook the indoor station to the wall mounting plate tightly by inserting the plate hooks into the slots on the rear panel of the indoor station, during which the lock catch will be locked automatically.

4 Getting Started

1 Activate Indoor Station

You are required to activate the device first by setting a strong password before you can use the device.

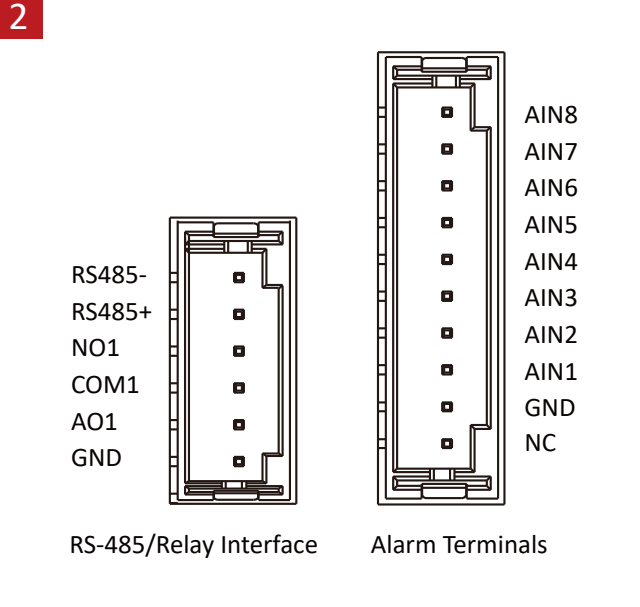
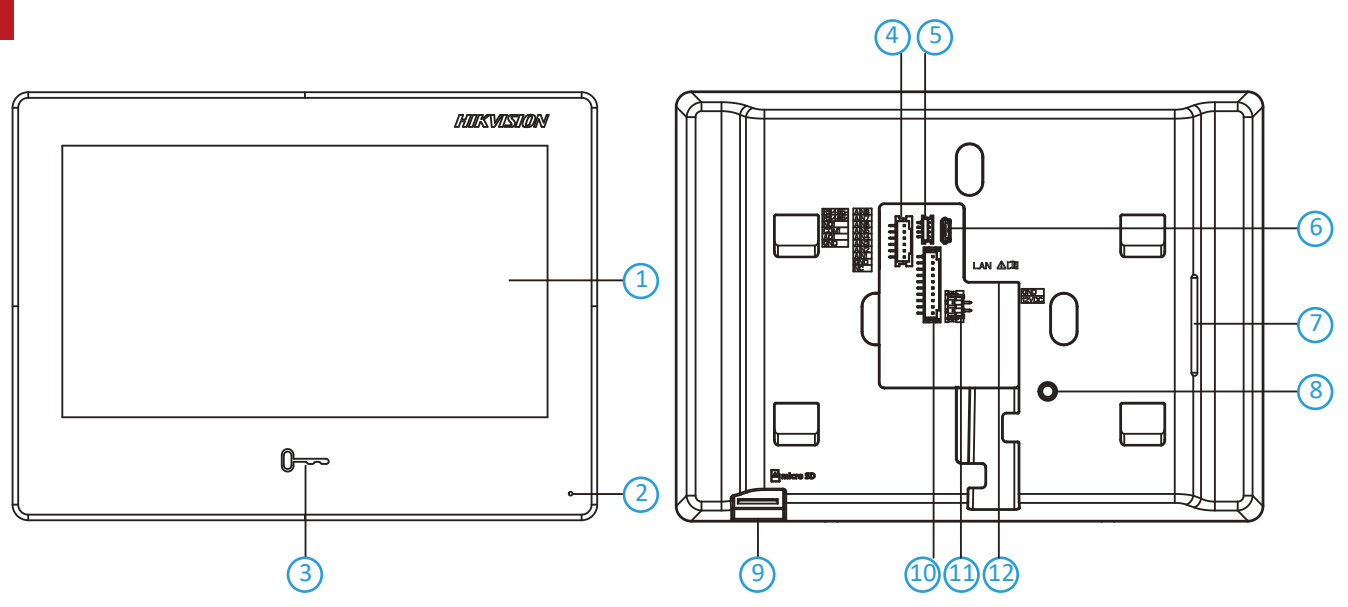
1. Power on the device. It will enter the activation page automatically.
2. Create a password and confirm it.
3. Tap OK to activate the indoor station.

2 Quick Configuration

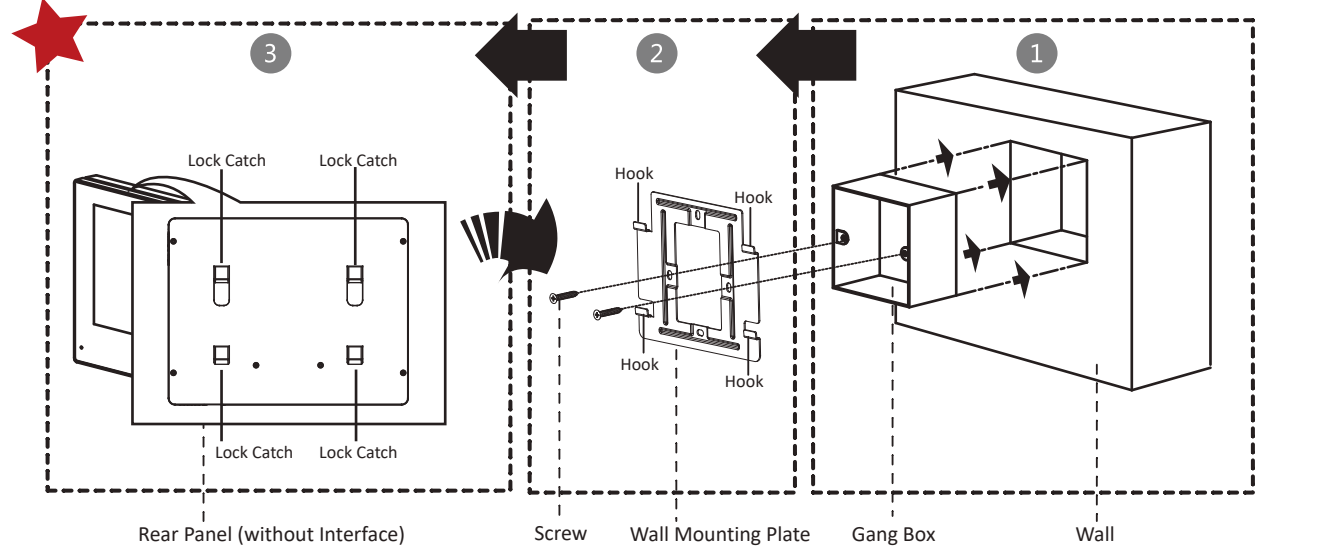
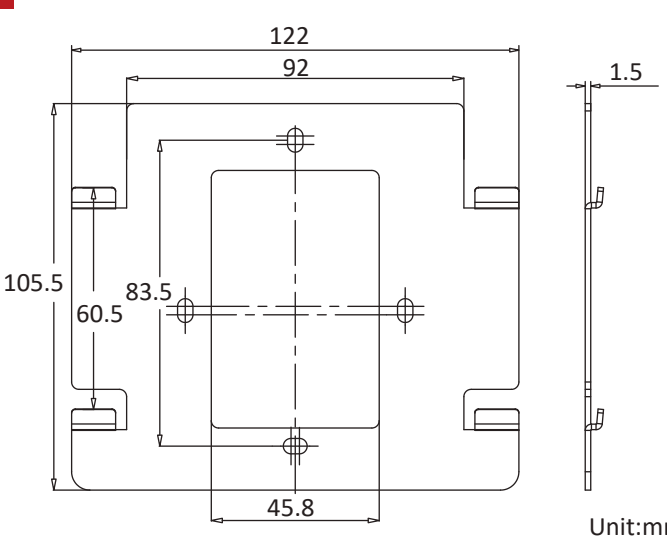
1. Choose Language and tap NEXT.
2. Set password reset method and tap NEXT.
  - Enter the Reserved Email address, then you can reset the password by email.
  - Note:** On the security questions settings page, you can tap Change to Reserved Email to modify the password reset method.
  - Tap Change to Security Question. Select 3 security questions from Deficiency List and enter the answers of the questions, then you can reset the password by answering security questions.
3. Set gesture password and confirm it.
4. Set network parameters and tap NEXT.
  - a. When you select connection type as Wired, you can edit network parameters manually or automatically.
    - Edit Local IP, Subnet Mask and Gateway parameters.
    - Enable DHCP, the device will get network parameters automatically.
  - b. When you select connection type as Wireless, Select an Wi-Fi from the drop list to connect.
5. Configure the indoor station and tap NEXT.
  - a. Select Indoor Station Type.
  - b. Edit Floor No. and Room No.
  - c. Enable Custom SIP Registration Password function and set the Registration Password.
  - d. (Optional) Enable Link Indoor Extension and select device to link.
  - e. (Optional) Tap Advanced Options to edit Community No., Building No. and Unit No.
6. Slide to enable the mobile client service and set the LBS Server. Tap NEXT.
7. Linked related devices and tap NEXT. If the device and the indoor station are in the same LAN, the device will be displayed in the list. Tap the device or enter the serial No. to link.
  - a. Tap the door station in the list to link.
  - b. Tap the settings icon to pop up the Network Settings page.
  - c. Edit the network parameters of the door station manually or enable DHCP to get the network parameters automatically.
  - d. Tap OK to save the settings.
8. Tap Finish to save the settings.

The power supply must conform to LPS. The recommended adaptor models and manufacturers are shown as below. Use the attached adapter, and do not change the adaptor randomly.

Model	Current	Manufacturer	Standard
MSA-C1500C12.0-18P-US	1.5 A	MOSO POWER SUPPLY TECHNOLOGY CO.,LTD	PG
TS-A018-120015AD	1.5 A	SHENZHEN TRANSIN TECHNOLOGIES CO.,LTD	PG

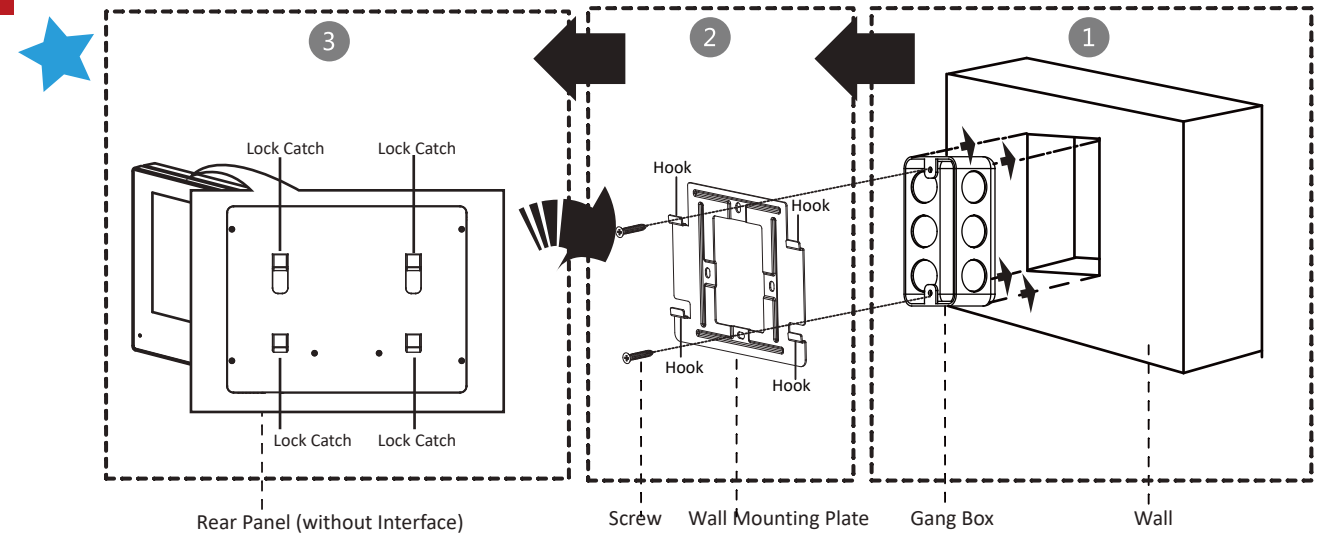


3



Note: If you use the gang box (55 mm (width) × 101 mm (length) × 38.5 mm (depth)) to install, you should set the screws to left and right screw holes.

3



Note: If you use the gang box (75 mm (width) × 75 mm (length) × 46 mm (depth)) to install, you should set the screws to up and down screw holes.



