



Gooseneck Microphone

Quick Start Guide

Legal Information

©2024 Hangzhou Hikvision Digital Technology Co., Ltd. All rights reserved.

About this Manual

- The Manual includes instructions for using and managing the Product. Pictures, charts, images and all other information hereinafter are for description and explanation only.
- The information contained in the Manual is subject to change, without notice, due to firmware updates or other reasons. Please find the latest version of this Manual at the Hikvision website (<https://www.hikvision.com/>).
- Please use this Manual with the guidance and assistance of professionals trained in supporting the Product.

Trademarks

- **HIKVISION** and other Hikvision's trademarks and logos are the properties of Hikvision in various jurisdictions. Other trademarks and logos mentioned are the properties of their respective owners.

Disclaimer




- TO THE MAXIMUM EXTENT PERMITTED BY APPLICABLE LAW, THIS MANUAL AND THE PRODUCT DESCRIBED, WITH ITS HARDWARE, SOFTWARE AND FIRMWARE, ARE PROVIDED "AS IS" AND "WITH ALL FAULTS AND ERRORS". HIKVISION MAKES NO WARRANTIES, EXPRESS OR IMPLIED, INCLUDING WITHOUT LIMITATION, MERCHANTABILITY, SATISFACTORY QUALITY, OR FITNESS FOR A PARTICULAR PURPOSE. THE USE OF THE PRODUCT BY YOU IS AT YOUR OWN RISK. IN NO EVENT WILL HIKVISION BE LIABLE TO YOU FOR ANY SPECIAL, CONSEQUENTIAL, INCIDENTAL, OR INDIRECT DAMAGES, INCLUDING, AMONG OTHERS, DAMAGES FOR LOSS OF BUSINESS PROFITS, BUSINESS INTERRUPTION, OR LOSS OF DATA, CORRUPTION OF SYSTEMS, OR LOSS OF DOCUMENTATION, WHETHER BASED ON BREACH OF CONTRACT, TORT (INCLUDING NEGLIGENCE), PRODUCT LIABILITY, OR OTHERWISE, IN CONNECTION WITH THE USE OF THE PRODUCT, EVEN IF HIKVISION HAS BEEN ADVISED OF THE POSSIBILITY OF SUCH DAMAGES OR LOSS.
- YOU ACKNOWLEDGE THAT THE NATURE OF THE INTERNET PROVIDES FOR INHERENT SECURITY RISKS, AND HIKVISION SHALL NOT TAKE ANY RESPONSIBILITIES FOR ABNORMAL OPERATION, PRIVACY LEAKAGE OR OTHER DAMAGES RESULTING FROM CYBER-ATTACK, HACKER ATTACK, VIRUS INFECTION, OR OTHER INTERNET SECURITY RISKS; HOWEVER, HIKVISION WILL PROVIDE TIMELY TECHNICAL SUPPORT IF REQUIRED.
- YOU AGREE TO USE THIS PRODUCT IN COMPLIANCE WITH ALL APPLICABLE LAWS, AND YOU ARE SOLELY RESPONSIBLE FOR ENSURING THAT YOUR USE CONFORMS TO THE APPLICABLE LAW. ESPECIALLY, YOU ARE RESPONSIBLE, FOR USING THIS PRODUCT IN A MANNER THAT DOES NOT INFRINGE ON THE RIGHTS OF THIRD PARTIES, INCLUDING WITHOUT LIMITATION, RIGHTS OF PUBLICITY, INTELLECTUAL PROPERTY RIGHTS, OR DATA PROTECTION AND OTHER PRIVACY RIGHTS. YOU SHALL NOT USE THIS PRODUCT FOR ANY PROHIBITED END-USES, INCLUDING THE DEVELOPMENT OR PRODUCTION OF WEAPONS OF MASS DESTRUCTION, THE DEVELOPMENT OR PRODUCTION OF CHEMICAL OR BIOLOGICAL WEAPONS, ANY ACTIVITIES IN THE CONTEXT RELATED TO ANY NUCLEAR EXPLOSIVE OR UNSAFE NUCLEAR FUEL-CYCLE, OR IN SUPPORT OF HUMAN RIGHTS ABUSES.
- IN THE EVENT OF ANY CONFLICTS BETWEEN THIS MANUAL AND THE APPLICABLE LAW, THE LATTER PREVAILS.

PREFACE

The purpose of this section is to ensure that users can use the product correctly through this manual, in order to avoid danger or property damage during operation. Before using this product, please carefully read the product manual and keep it properly for future reference.

Symbol Conventions

The symbols that may be found in this document are defined as follows.

Symbol	Description
 Note	Provides additional information to emphasize or supplement important points of the main text.
 Caution	Indicates a potentially hazardous situation, which if not avoided, could result in equipment damage, data loss, performance degradation, or unexpected results.
 Danger	Indicates a hazard with a high level of risk, which if not avoided, will result in death or serious injury.

Safety Instructions

Caution

- In the use of the product, you must be in strict compliance with the electrical safety regulations of the nation and region. Please refer to technical specifications for detailed information.
- Input voltage should meet both the SELV (Safety Extra Low Voltage) and the Limited Power Source with 100 to 240 VAC or 12 VDC according to the IEC60950-1 standard. Please refer to technical specifications for detailed information.
- Do not connect several devices to one power adapter as adapter overload may cause over-heating or a fire hazard.
- Please make sure that the plug is firmly connected to the power socket.
- Interconnecting devices for XLR ports: Please use interconnect ports to output interconnect devices that comply with PS2 (less than 100W).
- If smoke, odor or noise rise from the device, turn off the power at once and unplug the power cable, and then please contact the service center.

- If the device is not working properly, please contact the store where the device was purchased or the nearest service center. Do not disassemble or modify the all-in-one machine in any way. (Our company does not assume any responsibility for problems caused by unauthorized modifications or repairs.)

Regulatory Information

- EU Conformity Statement



This product and - if applicable - the supplied accessories too are marked with "CE" and comply therefore with the applicable harmonized European standards listed under the EMC Directive 2014/30/EU, the LVD Directive 2014/35/EU, the RoHS Directive 2011/65/EU.



2012/19/EU (WEEE directive): Products marked with this symbol cannot be disposed of as unsorted municipal waste in the European Union. For proper recycling, return this product to your local supplier upon the purchase of equivalent new equipment, or dispose of it at designated collection points. For more information see: www.recyclethis.info



2006/66/EC (battery directive): This product contains a battery that cannot be disposed of as unsorted municipal waste in the European Union. See the product documentation for specific battery information. The battery is marked with this symbol, which may include lettering to indicate cadmium (Cd), lead (Pb), or mercury (Hg). For proper recycling, return the battery to your supplier or to a designated collection point. For more information see: www.recyclethis.info

TABLE OF CONTENTS

Chapter 1 Product Profile.....	1
1.1 Product Description.....	1
1.2 Product Features.....	1
1.3 Inventory equipment and accessories.....	2
1.4 Technical parameters.....	3
Chapter 2 Product Appearance and Interface.....	4
2.1 Installation Diagram.....	4

Chapter 1 Product Profile

1.1 Product Description

The product is a cardioid directional gooseneck microphone, the gooseneck unit and the base of the one-piece structure design, effectively avoiding the split structure of the product caused by multiple insertion and removal of shaking and poor contact problems. The appearance of simple and exquisite, excellent performance and characteristics, focus on the frequency response at high frequency detail design, the use of high-frequency enhancement and ultra-high frequency attenuation, to further improve the clarity and naturalness of voice. The product is suitable for meeting rooms, command and control centres, monitoring centres and other indoor places.

1.2 Product Features

- A cardioid condenser capsule with a high signal-to-noise ratio and balanced frequency response is used.
- Equipped with high sensitivity, low noise preamplifier circuitry, it can clearly capture the sound of speech from a distance and achieve high quality audio transmission.
- Adopting bendable gooseneck design, the angle and direction can be adjusted freely according to the needs, while adopting one-piece structure design, which effectively avoids the problems of product shaking and poor contact caused by multiple plugging and unplugging of the split structure.
- The pickup section is designed in a teardrop shape, which effectively reduces the impact of the sound stage on the pickup unit.
- Using voltage adaptive technology, the product is compatible with both 12V DC power supply and 48V phantom power supply.
- Selection of superior quality components and rigorous testing to ensure the reliability of the products used.
- Suitable for meetings, speeches, recitations and other scenes, with clear and natural tone and excellent sound quality.
- Support for monitoring centre calls.

1.3 Inventory equipment and accessories

When purchasing the equipment, please first check the product packaging and appearance of any obvious damage, then please open the product box, refer to the packing list, check whether the product is equipped with accessories. After confirming that there is no error, the equipment can be installed and used.

Table 1-1 Packing List

NAME	QUANTITIES	NAME	QUANTITIES
Gooseneck microphone	1	12V DC Power Supply	1
XLR cable	1	specification	1

1.4 Technical parameters

Capsule Size	Φ9.7mm
Capsule Type	Electret Condenser Capsule
Directivity	Cardioid
Frequency response	100Hz-16kHz
SNR	70dB A-weighted
Sensitivity	-30dB (0dB=1V/Pa@1kHz)
Output Impedance	120Ω
SPL	104dB
Dynamic range	80dB
Equivalent noise level	≤24dB A-weighted
Pickup Distance	50cm
Power supply method	12V DC power supply, 48V phantom power supply
Current consumption	≤10mA
Maximum service temperature	35°C
Power connector	XLR connector, DC12V power connector
Indicator light	Buttons, Header Indicators
Detachable base	No
Adjustable angle	Universal 360°
Product Size	Foundation: 35×98×119 mm Rod length: 409 mm
Weights	0.59Kg

Chapter 2 Product Appearance and Interface

2.1 Installation Diagram

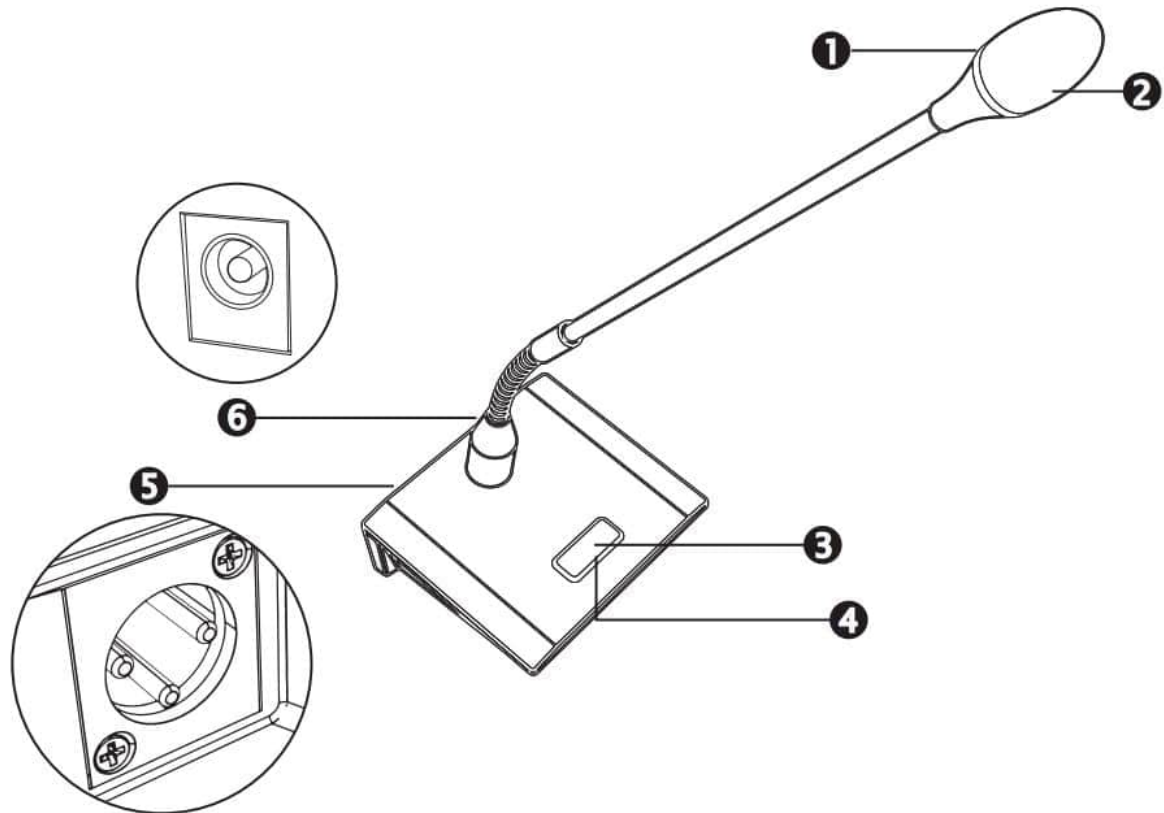


Figure 2-1 Exterior View

1、Microphone operating indicator
4、Switching button

2、Windscreen
5、XLR

3、Switching Indicator Lights
6、DC12V power connector



See Far, Go Further