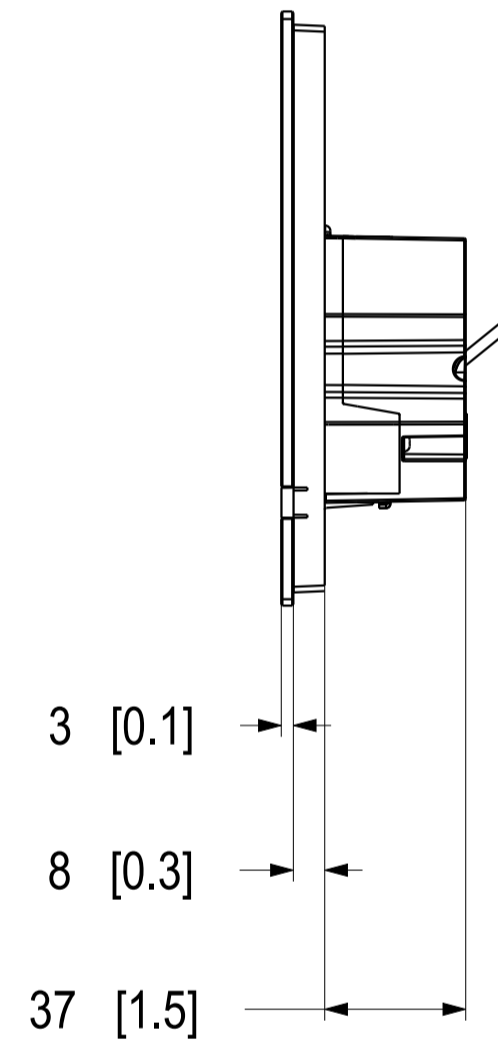
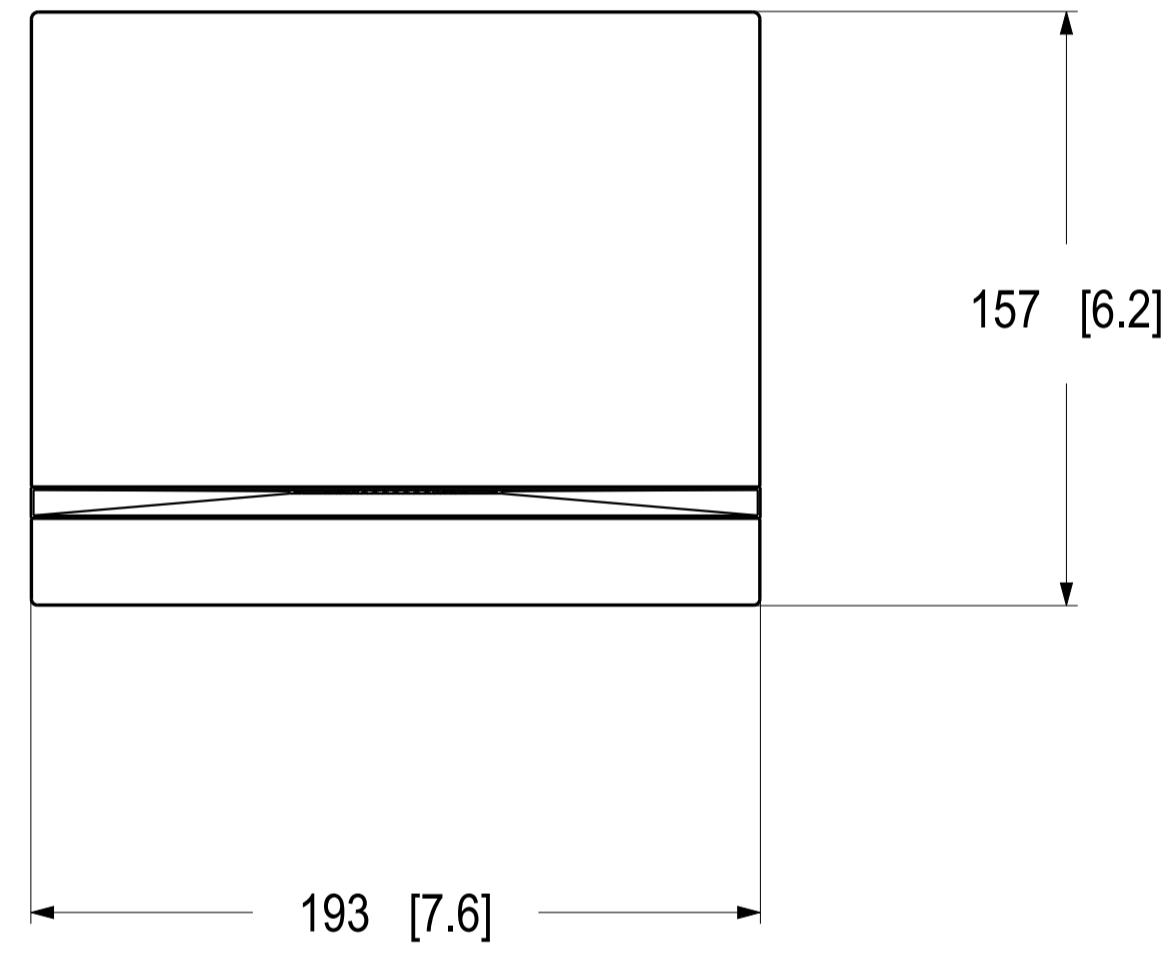


Ø 5 [0.2] 39 [1.5]

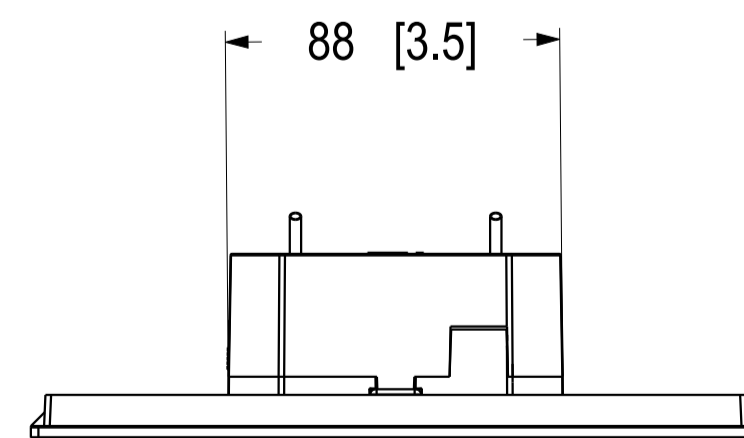
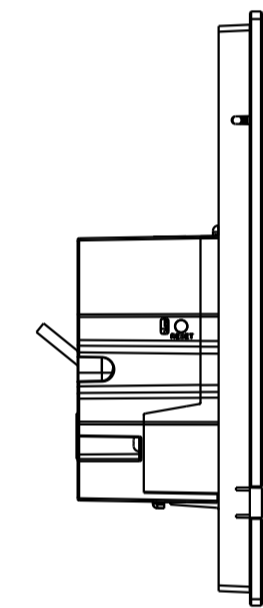


3 [0.1]
8 [0.3]
37 [1.5]



157 [6.2]

193 [7.6]



88 [3.5]