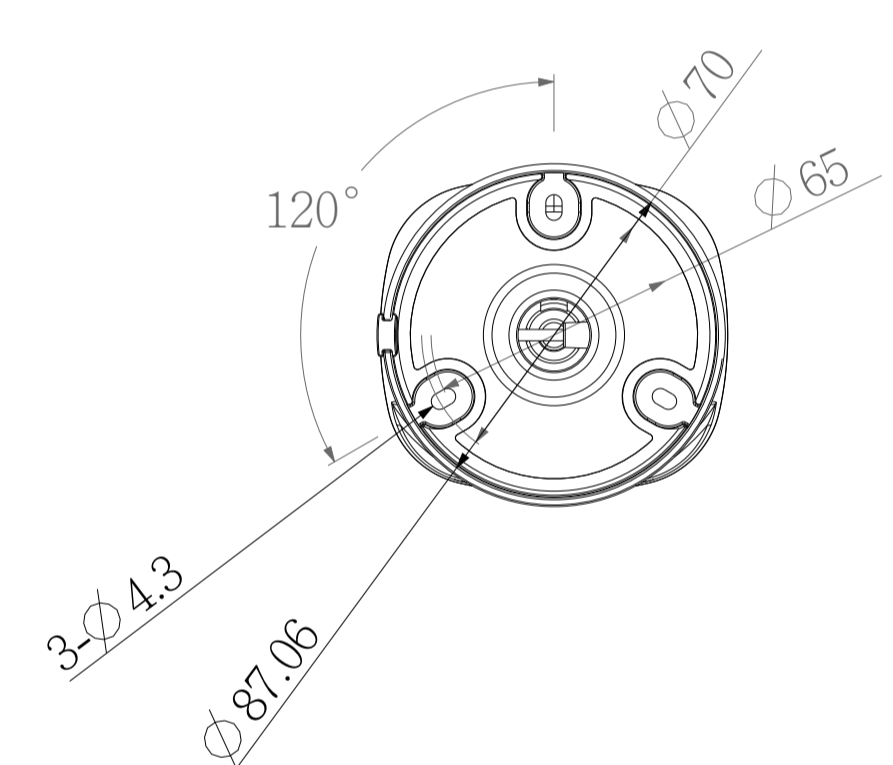
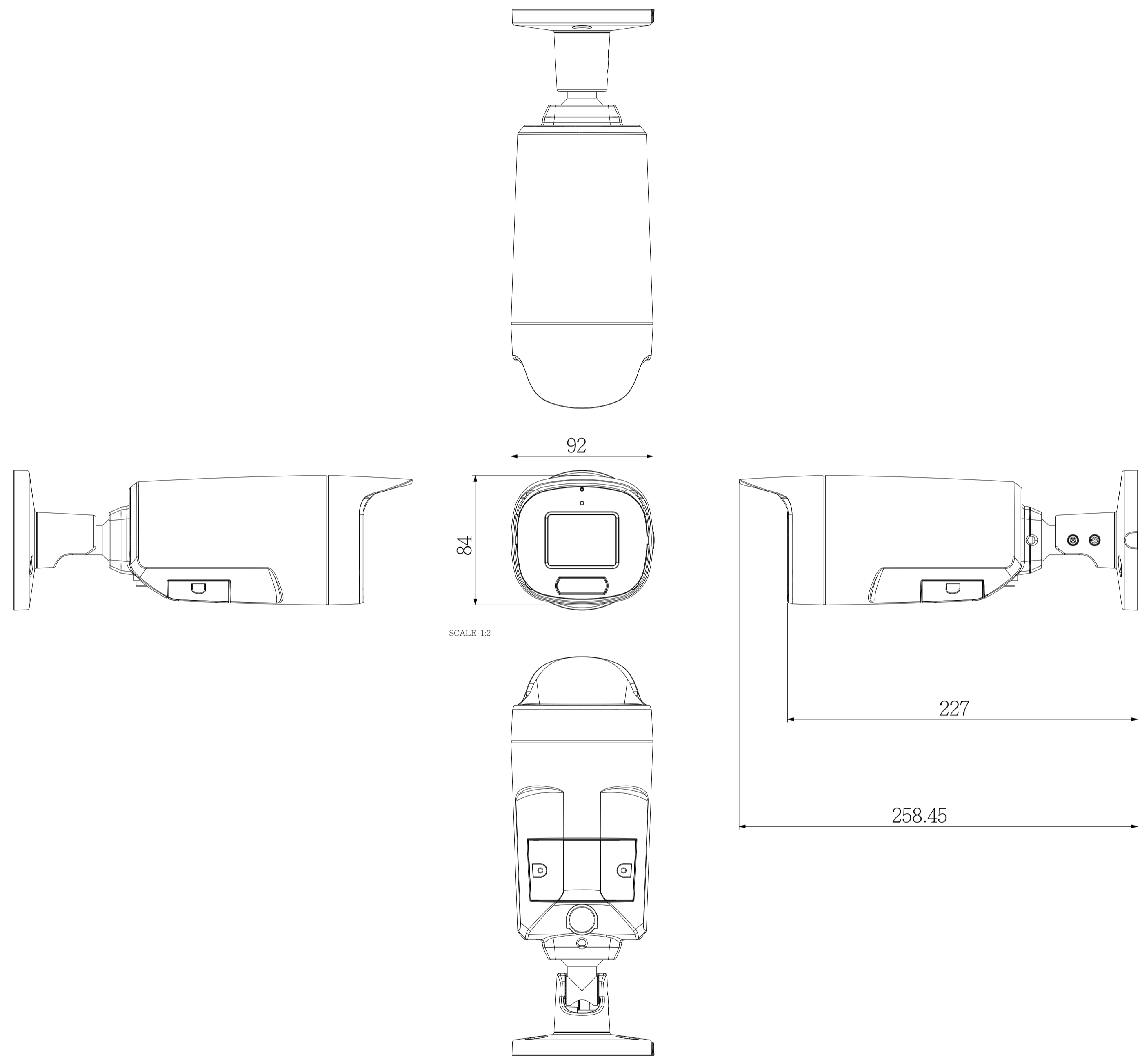


機密/CONFIDENTIAL



REVISIONS				
REV	DESCRIPTION	POSITION	ENGINEER	DATE
01	New Edition			May-06-24



主型號與廣告型號使用相同尺寸・結構的外殼 IB8388-EHTV-V3 (主型號), (廣告型號) IB8388-EHV-V3, IB8390-EHTV, IB8390-EHV, IB839-EHTV-V2

Title		PART NO.	
ENGR	Howard	MODEL	IB8389-EHVT-V3
DRN	Howard	DESCRIPTION	IB8389-EHVT-V3-30-ASSY
CHK	KIMI	ISSUE DATE	May-06-24
MTL	ADC14+PC	REVISION	00
FINISH	Powder	SCALE	1:1
SIZE	AI	UNIT	mm
		SHEET	1 OF 1