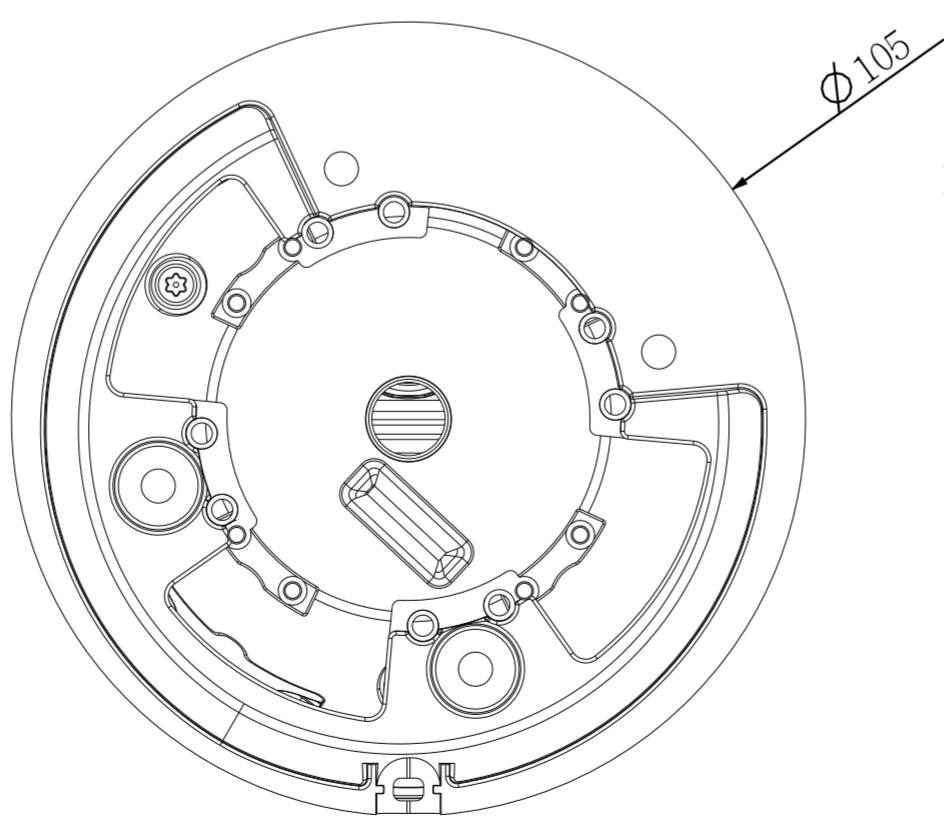
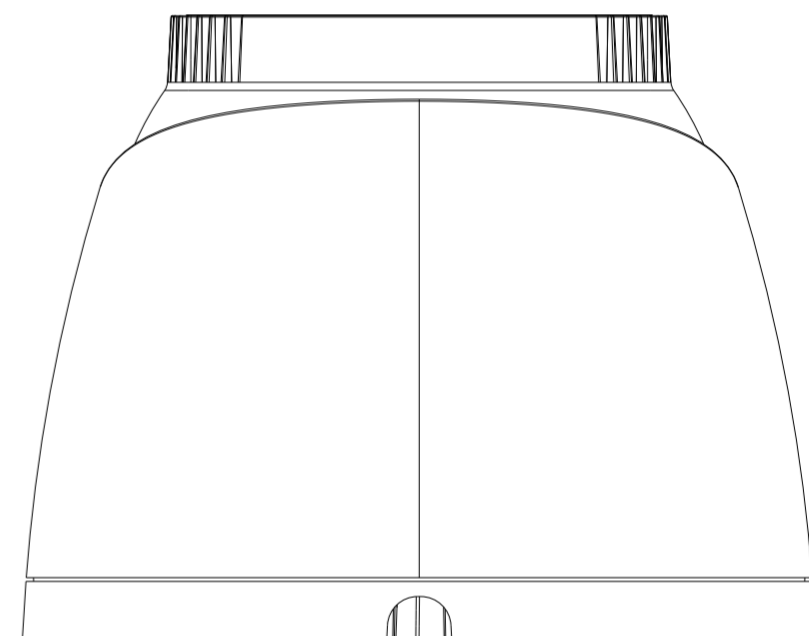
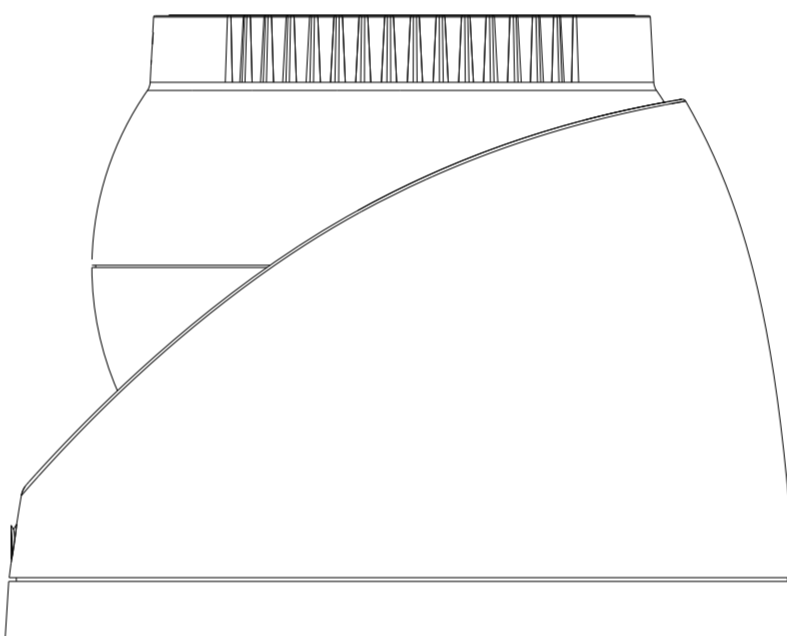
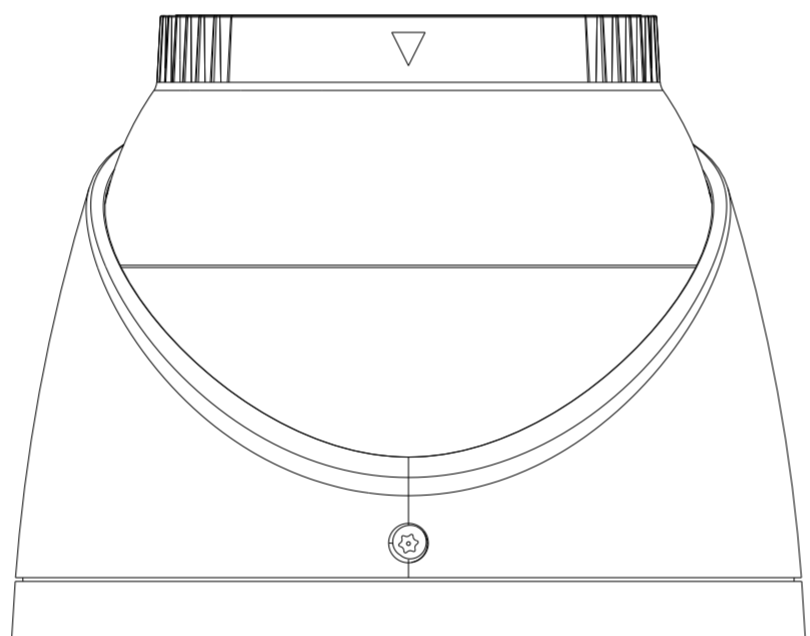
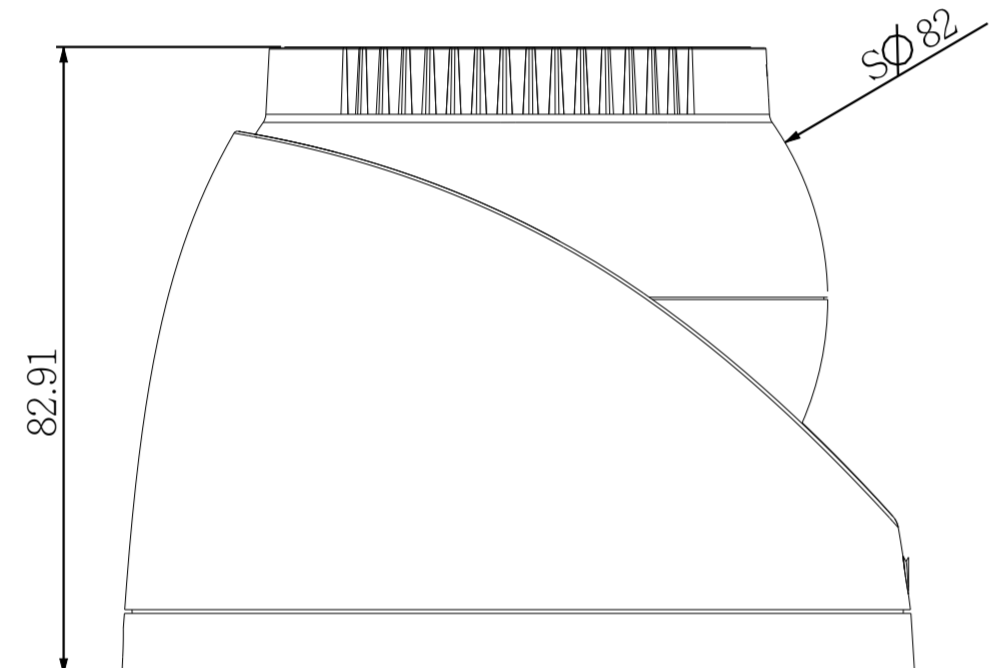
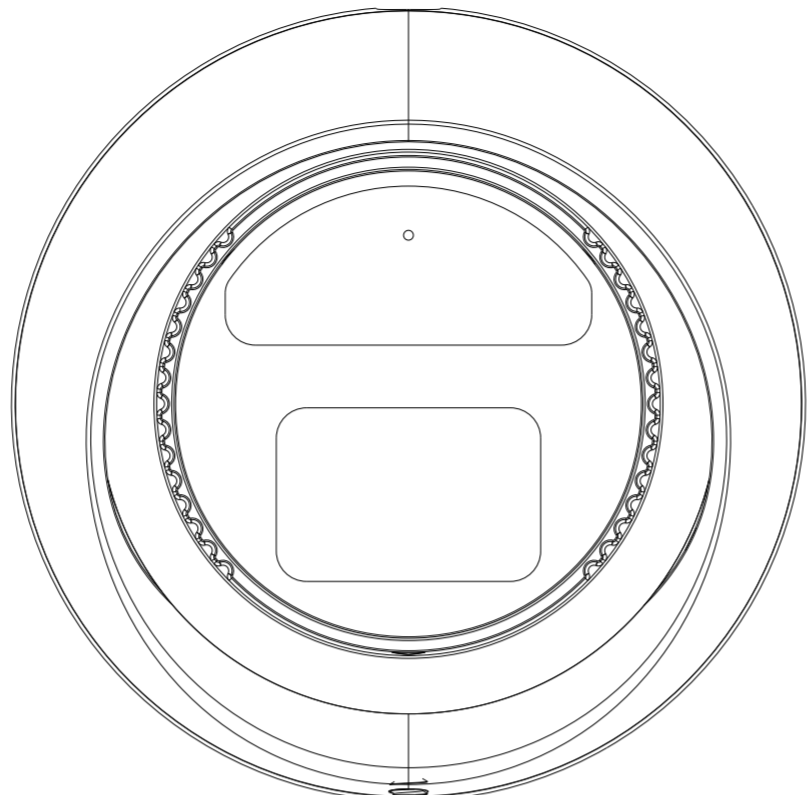


REVISIONS				
REV	DESCRIPTION	POSITION	ENGINEER	DATE
00	New Edition			Feb-19-25



IT9380-HV-V2(主型號).
 系列宣告型號: IT9390-HVW-V2、IT830-HV、IT930-HVW



Default tolerance grade 7					
Dimension tolerance (mm)					
Class	± 0.4	0.40	0.50	0.63	0.80
M	0.06	0.08	0.10	0.12	0.15
H	0.10	0.15	0.20	0.25	0.30
F	0.12	0.18	0.25	0.30	0.35

PART NO.		MODEL		REVISION	
ENGR	Double	MODEL	IT9380-HV-V2		
DRN	Double	DESCRIPTION	IT9380-HV-V2_6_VIEWS		
CHK	Kimi	ISSUE DATE	Feb-19-25	UNIT	mm
M TL		SCALE	1:1	SHEET	1 OF 1
FINISH		SIZE	A2		

VIVOTEK
 A DELTA GROUP COMPANY

CP02-WL-014-01-7