

Package Contents / Packungsinhalt kontrollieren / Inhoud van de verpakking

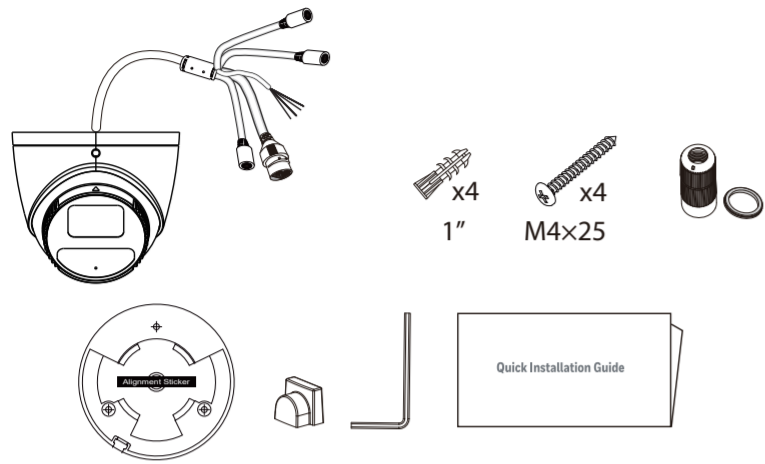
検査包装内容物 / 検査包装内容 / パッケージ内容の確認

Vérifier le contenu de l'emballage / Verifi que o conteúdo da embalagem / Compruebe el contenido del embalaje

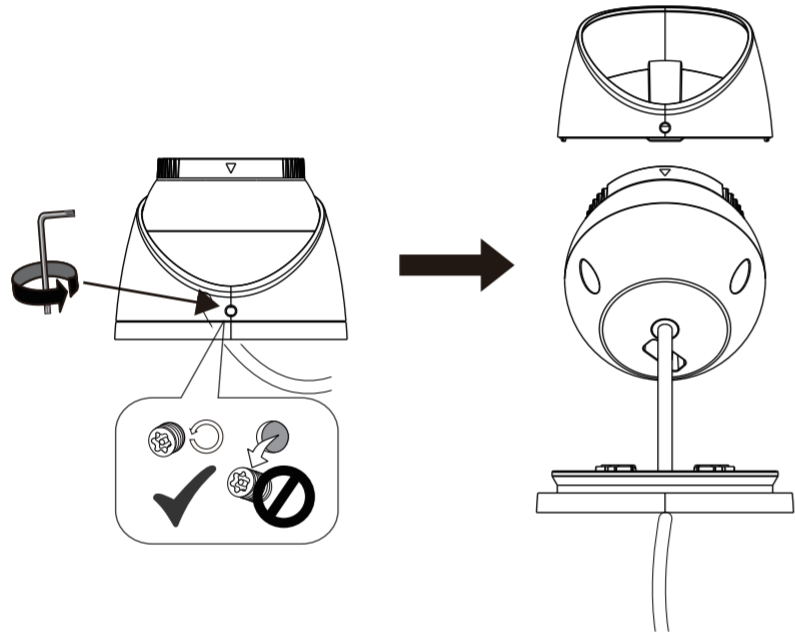
Sprawdz zawartość pakietu / Проверка комплекта поставки / Obsah balení

Verifi care il contenuto della confezione / Ambalajın İçindekileri Kontrol Edin / Paketinnehâll / Kassens indhold / Isi Kemasan مكونات الحزمة

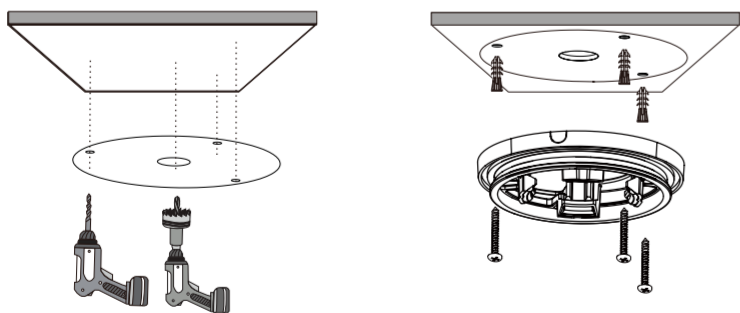
1



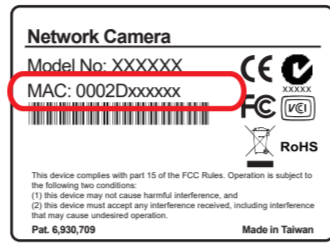
3



5



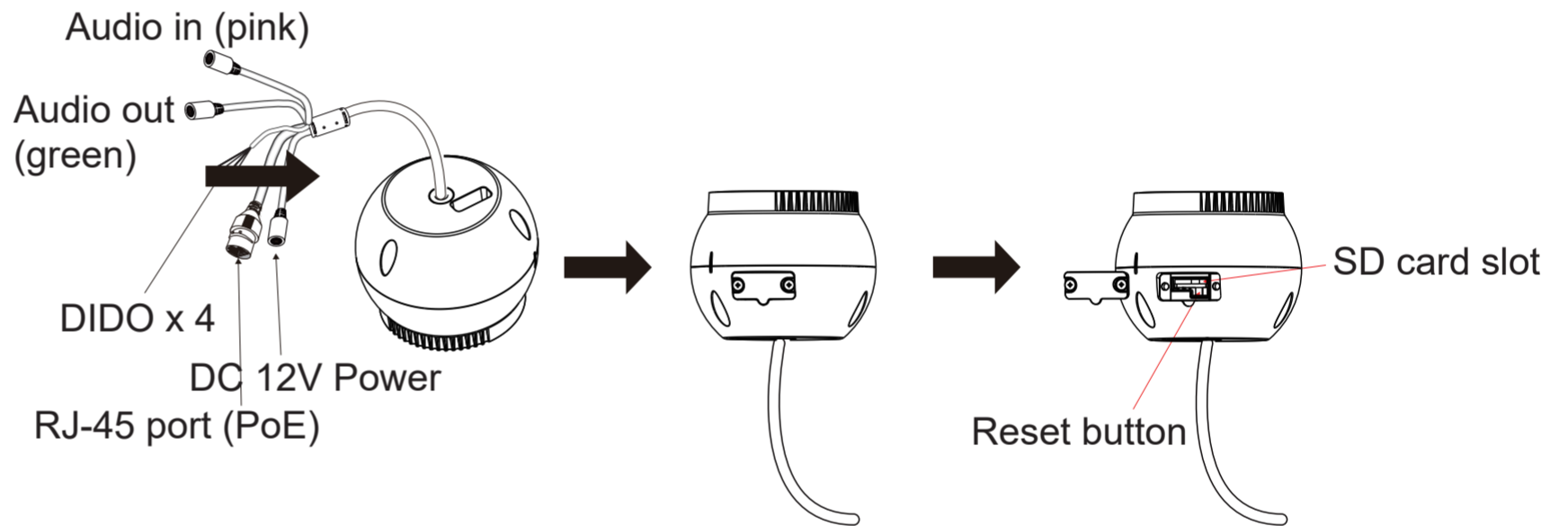
2



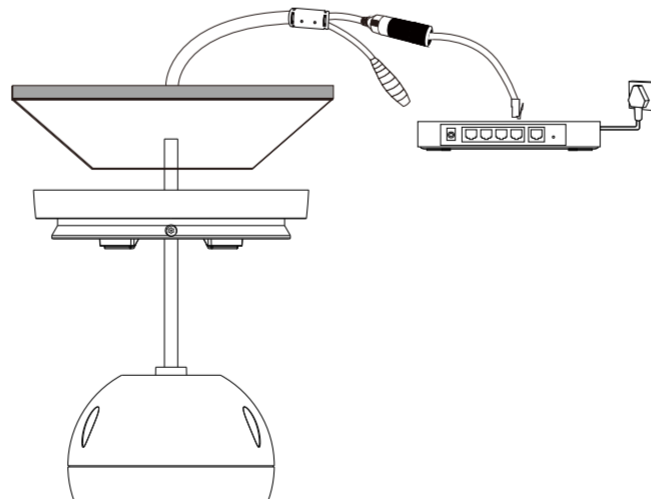
WARNING BEFORE INSTALLATION

1. The camera should be installed at least 10 centimeters away from the eave of a building.
2. The product should be used in compliance with local laws and regulations.
3. Before installation, the product should be stored in a dry and ventilated environment.
4. Do not install the product on an unstable mount or surface.
5. Use only accessories that comply with the technical specifications of the product.
6. Do not disassemble the camera or perform maintenance task when power is connected.
7. If powered by a power adapter, the adapter should be properly grounded.
8. The product must be installed and protected in a location that is not easily accessible, and is away from impacts or heavy vibration. For example, at the location where the surveillance cameras are looking down or installed at high positions such as on a wall, or at least 3 meters above the ground.
9. Maintenance and repair work must always be carried out by qualified technical personnel.
10. Disconnect power from the unit when performing a maintenance task.
11. Use the camera only with a DC power supply that is UL listed, and limited power source (LPS) certified. The power supply should bear the UL listed and LPS marks. The power supply should also meet any safety and compliance requirements for the country of use.
12. The camera is only to be connected to PoE networks without routing to outside plants.
13. For PoE connection, use only UL listed I.T.E. with PoE output.

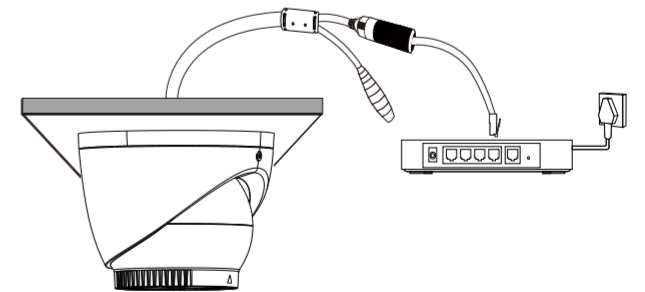
4



6



7



8



9

1. After connecting the network camera to the PoE network switch, run the VIVOTEK Shepherd app to search for the IP location of the network camera. Then, enter the camera's webpage.
2. Please download the Shepherd program from the VIVOTEK website <https://www.vivotek.com/Shepherd>.

1. 請於 VIVOTEK 網頁 <https://www.vivotek.com/Shepherd> 下載 Shepherd 程式。
2. 將網路攝影機連接上 PoE 網路交換機後，執行晶睿通訊 Shepherd 程式搜尋該網路攝影機的 IP 位置，並進入該攝影機的網頁。

10



Software operation

1. When logging into the camera's webpage for the first time, you need to set a password according to the password rules.
2. After logging in to the camera web page, you can see the camera page.

軟體操作

1. 首次登入攝影機的網頁，需要依照密碼規範設定密碼
2. 登入攝影機網頁後，即可看到攝影機頁面

Function description of the icon buttons at the bottom of the page (from left to right)

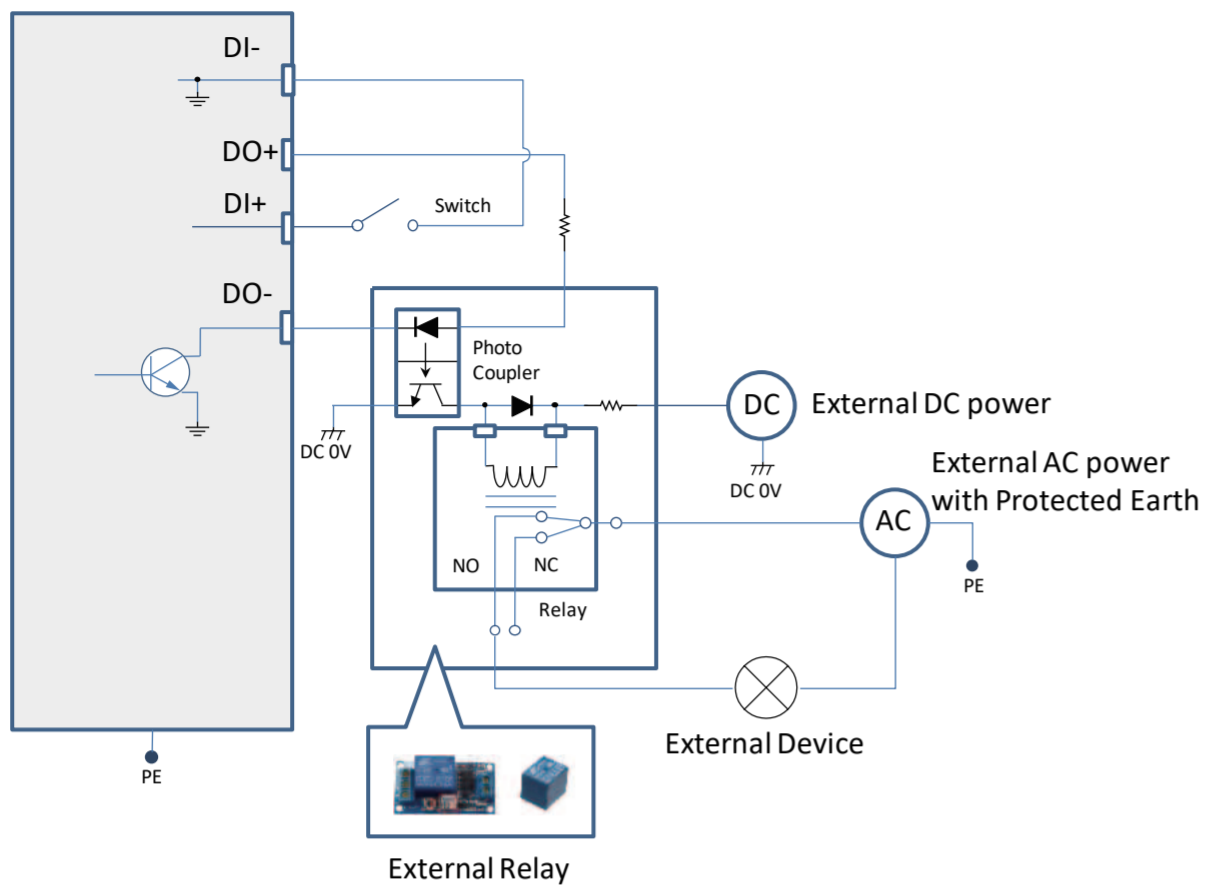
1. Snapshot: Capture the current picture
2. Video recording: Manually start recording
3. Lower the volume
4. Increase the volume
5. Fullscreen

頁面下方圖示按鈕功能說明 (由左至右)

1. 快照：擷取當下圖片
2. 錄影：手動啟動錄影
3. 降低音量
4. 提高音量
5. 全螢幕

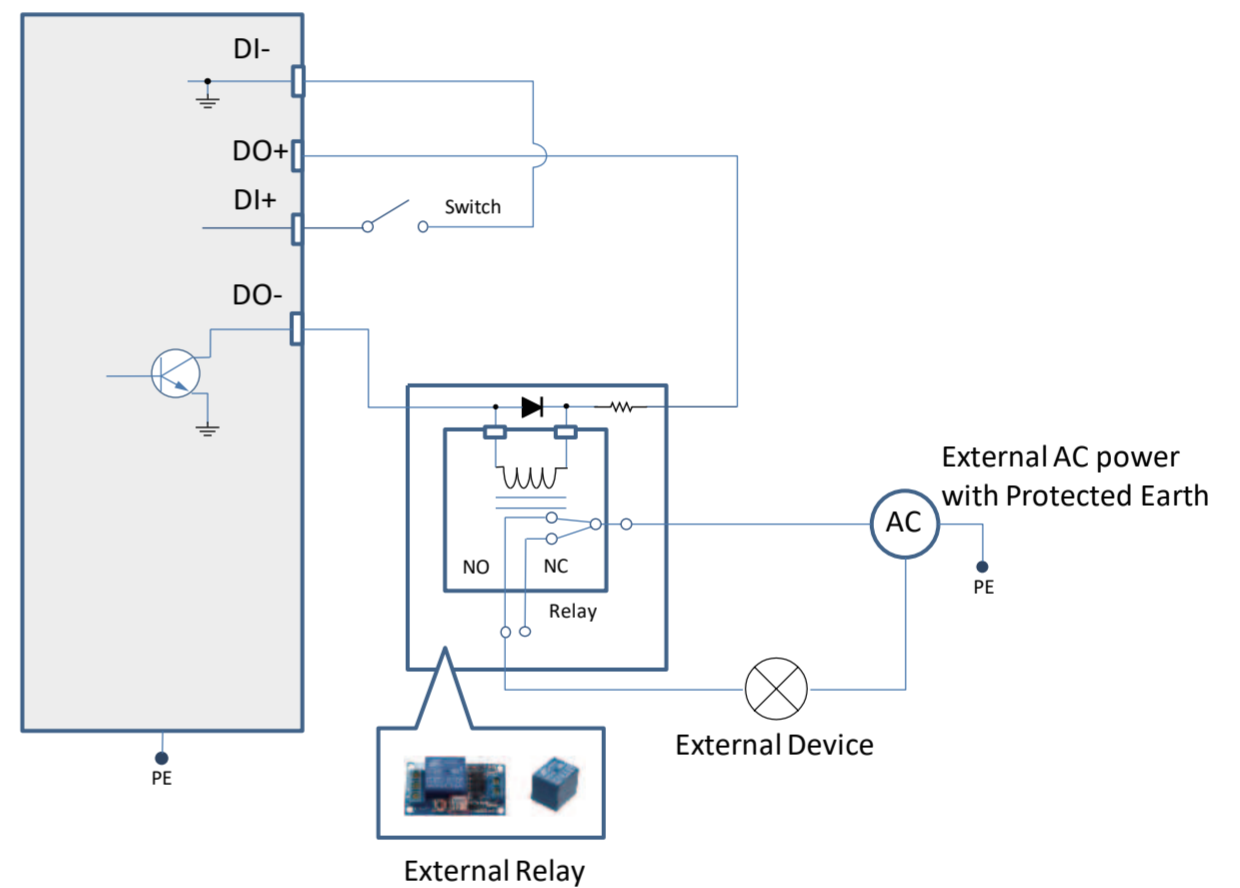
DI/DO Diagrams

Dry contact with external DC power source to supply a relay. Dry contact is the safest connection to protect devices.

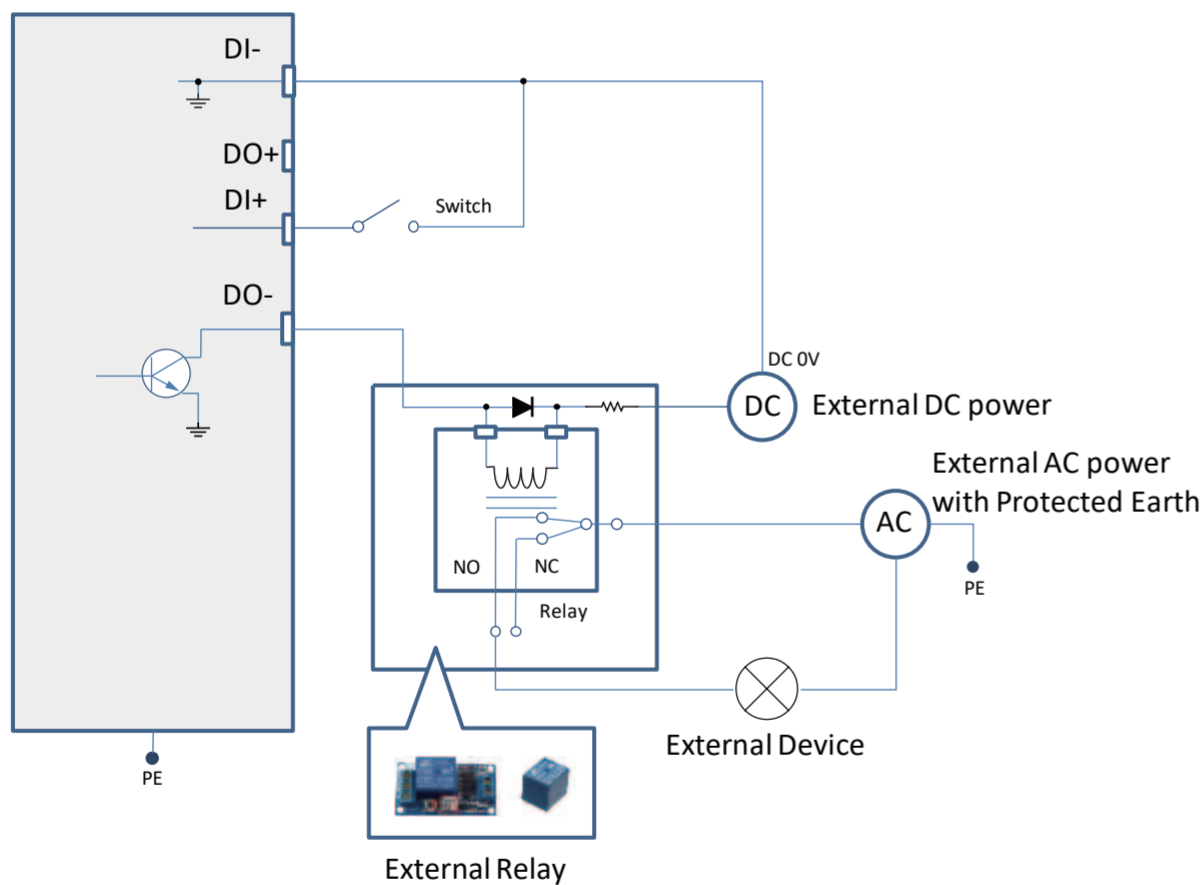


1. The DO+ pin provides 12V output voltage, and the max. load is 50mA.
2. The max. voltage for DO- pins is 30VDC (External power). In order to control AC devices, the above diagram can be taken in consideration. The diagram uses a relay to control the ON/OFF condition of the AC device.
3. An external relay can be triggered by using DO+ or by an external power source, depending on the type of relay you use.
4. In case of using an individual relay (instead of using a relay module), for protection against voltage or current spikes, a transient voltage suppression diode must be connected in parallel with the inductive load.

Dry contact and using camera's DO+ to supply a relay.



Wet contact with external DC power source to supply a relay.



Please contact authorized distributors for warranty and RMA service.
Visit <https://www.vivotek.com/support/warranty> and
<https://www.vivotek.com/support/rma>

All specifications are subject to change without notice.
Copyright © 2024 VIVOTEK INC. All rights reserved.

VIVOTEK INC.
6F, No. 192, Lien-Cheng Rd., Chung-Ho, New Taipei City, 225, Taiwan, R.O.C.
[T: +886-2-8245282][F: +886-2-8245532][E: sales@vivotek.com]

VIVOTEK USA, INC.
2059 Ringwood Avenue, San Jose, CA 95131
[T: 408-773-8686][F: 408-773-8296][E: salesusa@vivotek.com]

VIVOTEK Europe
Zandsteen 15, 2132 MZ Hoofddorp Delta Electronics
T: +31 (0)20 800 3817 E: sales@vivotek.com