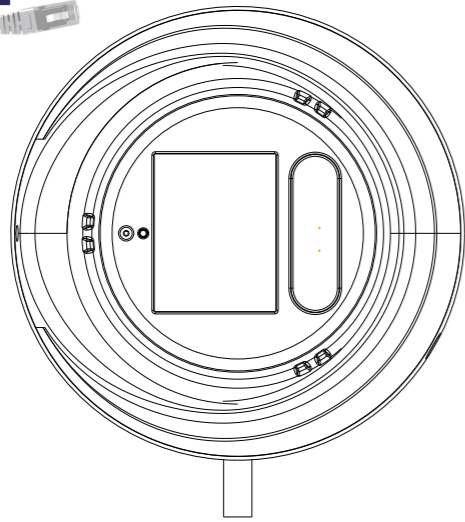
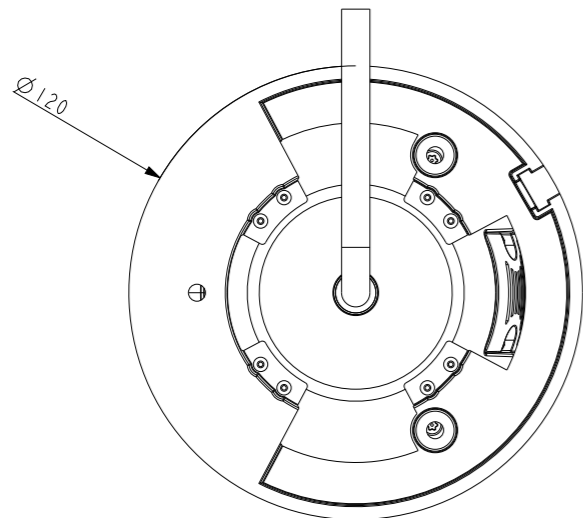
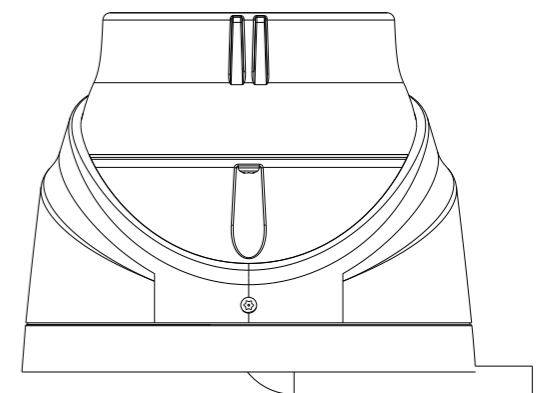
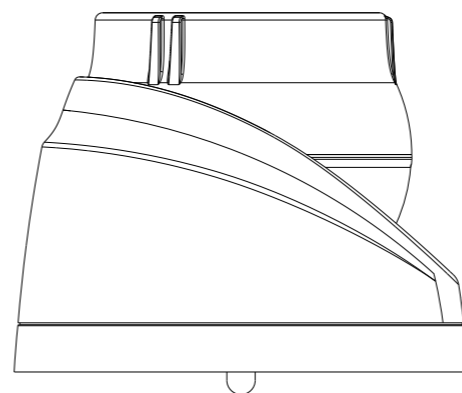
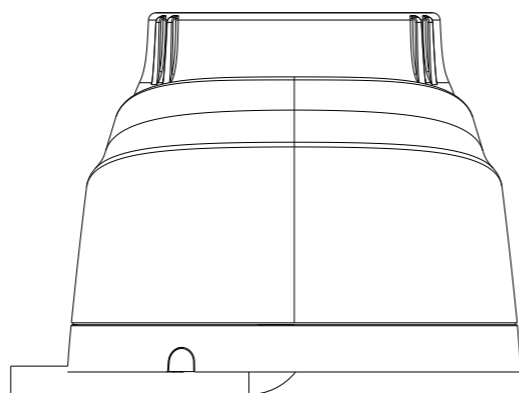
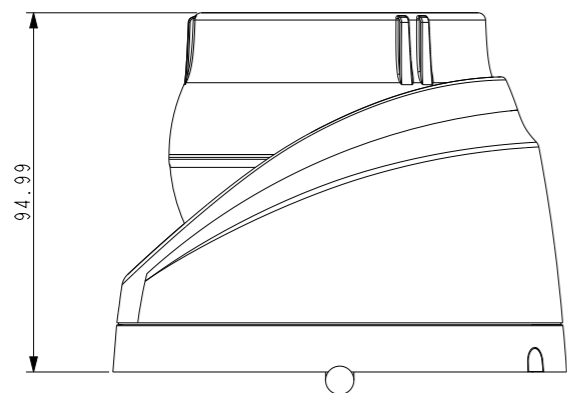


use IP



REVISIONS				
REV	DESCRIPTION	POSITION	ENGINEER	DATE
00	New Edition			Jun-14-24



Default tolerance: grade F						
Class	Dimension tolerance range(mm)					
	0.5-3	3-6	6-30	30-120	120-400	400-1000
F	±0.05	±0.05	±0.1	±0.15	±0.2	±0.3
M	±0.1	±0.1	±0.2	±0.3	±0.5	±0.8
C	±0.2	±0.3	±0.5	±0.8	±1.2	±2
USER						

Angle tolerance range(deg) (Base on the length of short dimension)					
Class	Dimension tolerance range(mm)				
	≤10	10-50	50-120	120-400	>400
F	±1°	±0°30'	±0°20'	±0°10'	±0°5'
M	±1°30'	±1°	±0°30'	±0°15'	±0°10'
C	±1°30'	±1°	±0°30'	±0°15'	±0°10'
USER					

VIVOTEK
A DELTA GROUP COMPANY

THESE DRAWINGS AND SPECIFICATIONS ARE THE PROPERTY OF VIVOTEK, INC. AND SHALL NOT BE REPRODUCED OR USED AS THE BASIS FOR THE MANUFACTURE OR SELL OF APPARATUS OR DEVICES WITHOUT PERMISSION.

CP02-W1-014-01-7

PART NO.		MODEL		DESCRIPTION	
ENGR				T9383-89-99-HTVW-6VIEW	
DRN					
CHK					
M'TL		ISSUE DATE	Jun-14-24	REVISION	00
FINISH		SCALE	1:1	UNIT	mm
	THIRD ANGLE PROJECTION	SIZE	A3	SHEET	1 OF 1