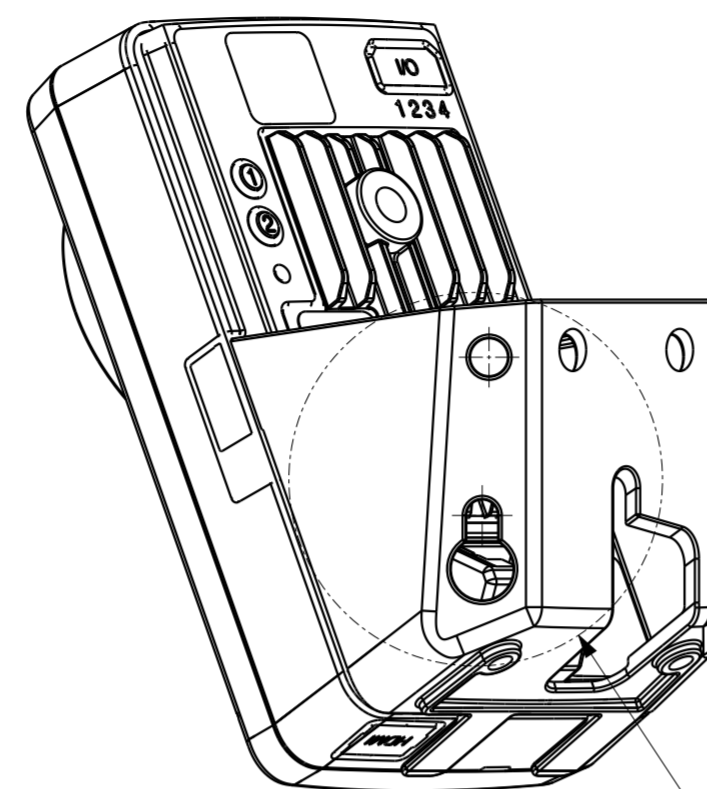
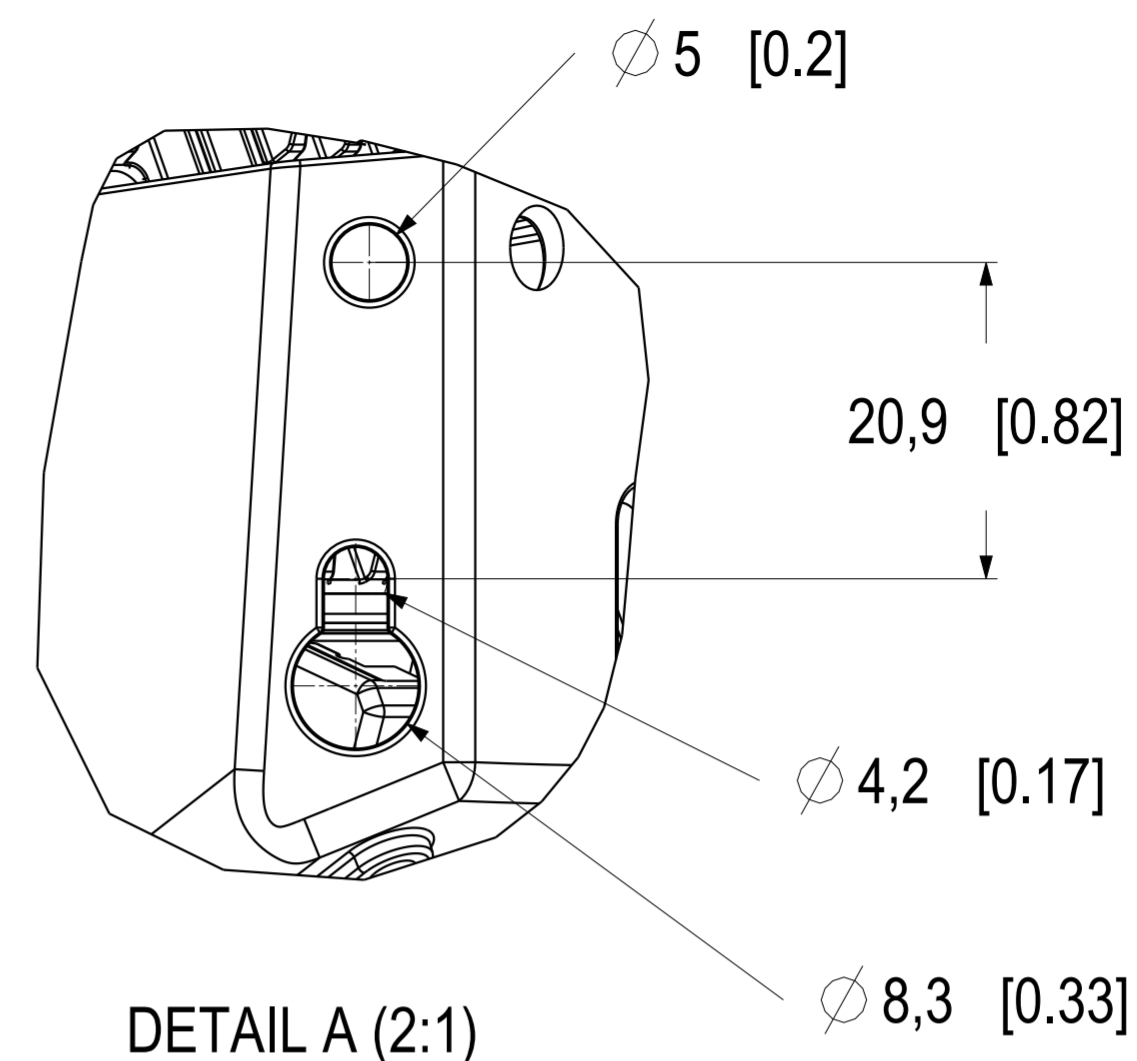


Mounting holes on the side of the product.

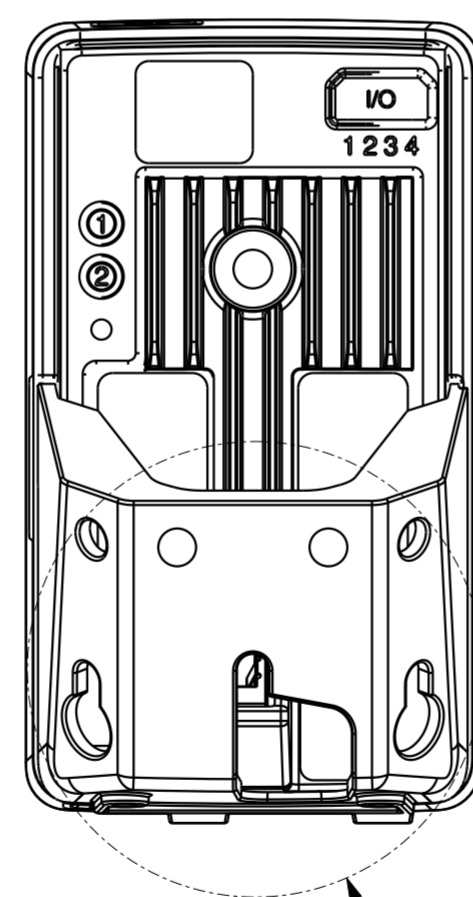


DETAIL A

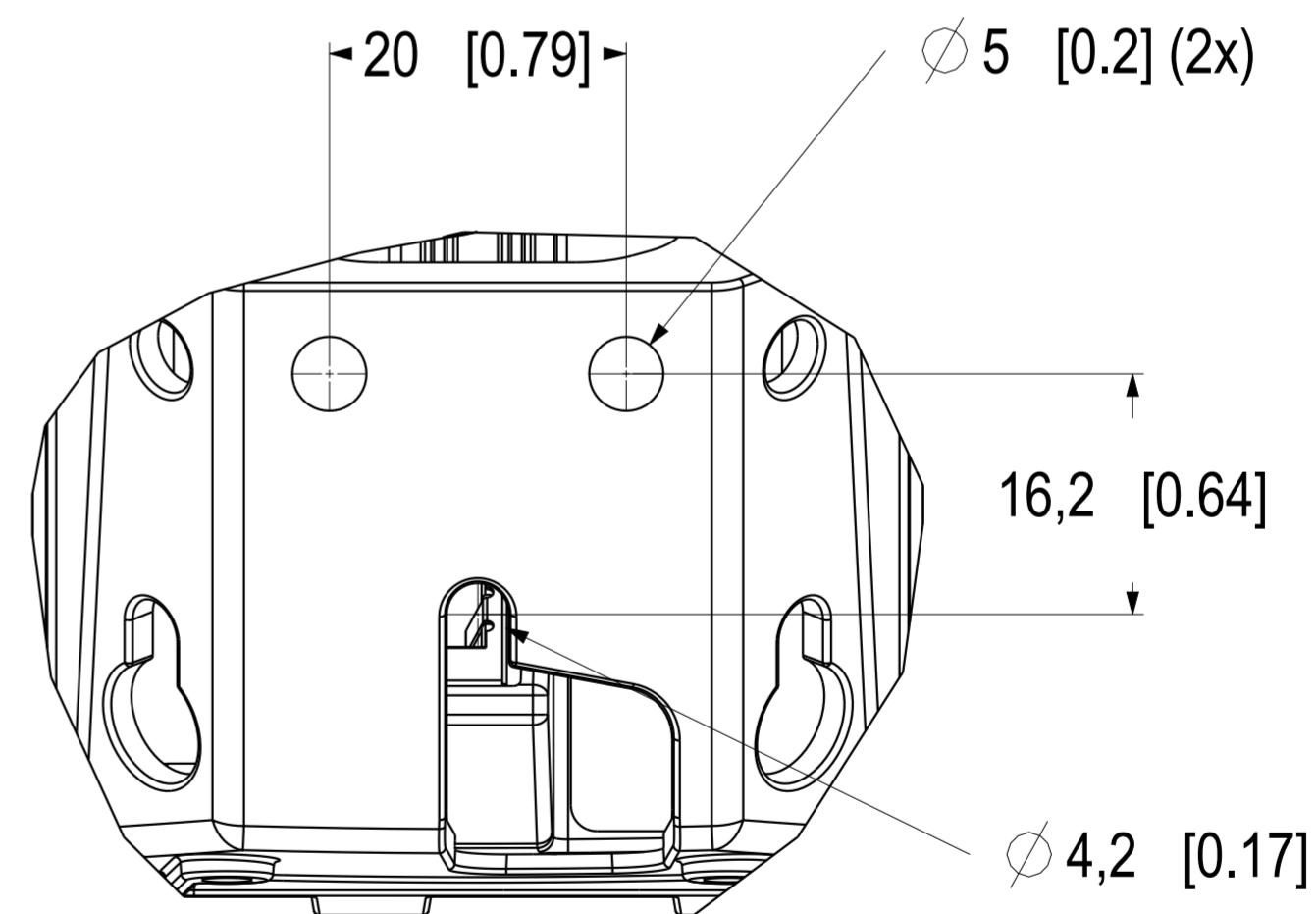


DETAIL A (2:1)

Mounting holes on the back of the product.



DETAIL B



DETAIL B (2:1)

Straight view of the backplate.

