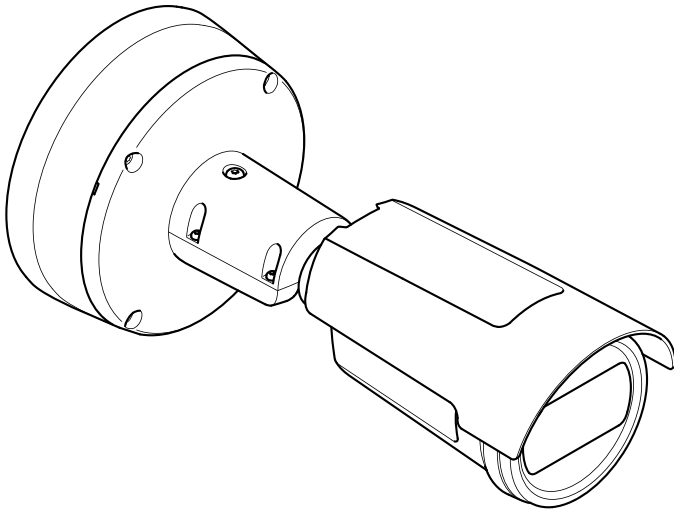


**AXIS P1468-XLE Explosion-Protected Bullet Camera
(防爆型弾丸カメラ)**



Installation guide (インストールガイド)

English

EN

Français

FR

Deutsch

DE

Italiano

IT

Español

ES

日本語

JA

中文: 简体中文

ZH

English

EN

Read this first

Read through this installation guide carefully before you install the product. Keep the installation guide for future reference.

はじめにお読みください

本製品を設置する前に、このインストールガイドをよくお読みください。インストールガイドは、後で参照できるように保管しておいてください。

Electromagnetic compatibility (EMC)

This equipment has been designed and tested to fulfill applicable standards for:

- Radio frequency emission when installed according to the instructions and used in its intended environment.
- Immunity to electrical and electromagnetic phenomena when installed according to the instructions and used in its intended environment.

USA

This device complies with part 15 of the FCC Rules. Operation is subject to the following two conditions:

1. This device may not cause harmful interference, and
2. this device must accept any interference received, including interference that may cause undesired operation.

This equipment has been tested using a shielded network cable (STP) and found to comply with the limits for a Class A digital device, pursuant to part 15 of the FCC Rules. These limits are designed to provide reasonable protection against harmful interference when the equipment is operated in a commercial environment. This equipment generates, uses, and can radiate radio frequency energy and, if not installed and used in accordance with the instruction manual, may cause harmful interference to radio communications. Operation of this equipment in a residential area is likely to cause harmful interference in which case the user will be required to correct the interference at his own expense. The product shall be connected using a shielded network cable (STP) that is properly grounded.

Contact information

Axis Communications Inc.
300 Apollo Drive
Chelmsford, MA 01824
United States of America
Tel: +1 978 614 2000

Canada

This digital apparatus complies with CAN ICES-3 (Class A). The product shall be connected using a shielded network cable (STP) that is properly grounded. Cet appareil numérique est conforme à la norme CAN NMB-3 (classe A). Le produit doit être connecté à l'aide d'un câble réseau blindé (STP) qui est correctement mis à la terre.

Europe

This digital equipment fulfills the requirements for RF emission according to the Class A limit of EN 55032. The product shall be connected using a shielded network cable (STP) that is properly grounded. Notice!

This is a Class A product. In a domestic environment this product may cause RF interference, in which case the user may be required to take adequate measures.

Australia/New Zealand

This digital equipment fulfills the requirements for RF emission according to the Class A limit of AS/NZS CISPR 32. The product shall be connected using a shielded network cable (STP) that is properly grounded. Notice! This is a Class A product. In a domestic environment this product may cause RF interference, in which case the user may be required to take adequate measures.

Japan

この装置は、クラスA機器です。この装置を住宅環境で使用すると電波妨害を引き起こすことがあります。この場合には使用者が適切な対策を講ずるよう要求されることがあります。VCCI-A

本製品は、シールドネットワークケーブル (STP) を使用して接続してください。また適切に接地してください。

本製品は電気通信事業者（移动通信会社、固定通信会社、インターネットプロバイダ等）の通信回線（公衆無線LANを含む）に直接接続することができません。本製品をインターネットに接続する場合は、必ずルータ等を経由し接続してください。

Korea

이 기기는 업무용 환경에서 사용할 목적으로 적합성평가를 받은 기기로서 가정용 환경에서 사용하는 경우 전파간섭의 우려가 있습니다. 적절히 접지된 STP (shielded twisted pair) 케이블을 사용하여 제품을 연결 하십시오.

When this product has reached the end of its useful life, dispose of it according to local laws and regulations. For information about your nearest designated collection point, contact your local authority responsible for waste disposal. In accordance with local legislation, penalties may be applicable for incorrect disposal of this waste.

Europe



This symbol means that the product shall not be disposed of together with household or commercial waste. Directive 2012/19/EU on waste electrical and electronic equipment (WEEE) is applicable in the European Union member states. To prevent potential harm to human health and the environment, the product must be disposed of in an approved and environmentally safe recycling process. For information about your nearest designated collection point, contact your local authority responsible for waste disposal. Businesses should contact the product supplier for information about how to dispose of this product correctly.

This product complies with the requirements of Directive 2011/65/EU and 2015/863 on the restriction of the use of certain hazardous substances in electrical and electronic equipment (RoHS).

China



This product complies with the requirements of SJ/T 11364-2014, Marking for the restriction of hazardous substances in electrical and electronic products.

有毒有害物質或元素						
部件名称	鉛 (Pb)	汞 (Hg)	鎘 (Cd)	六价铬 (Cr-(VI))	多溴联苯 (PB-B)	多溴二苯醚 (PB-DE)
电气实装部分	X	0	0	0	0	0

0: 表示该有毒有害物質在该部件均质材料中的含量均在GB/T 26572标准规定的限量要求以下。
X: 表示该有毒有害物質至少在该部件的某一均质材料中的含量超出GB/T 26572标准规定的限量要求。

Contact information

Axis Ex AB
Gränden 1
223 69 Lund
Sweden

Tel: +46 46 272 18 00
Fax: +46 46 13 61 30

axis.com

Warranty information

For information about Axis' product warranty and thereto related information, go to axis.com/warranty.

Support

Should you require any technical assistance, please contact your Axis reseller. If your questions cannot be answered immediately, your reseller will forward your queries through the appropriate channels to ensure a rapid response. If you are connected to the Internet, you can:

- download user documentation and software updates
- find answers to resolved problems in the FAQ database, search by product, category, or phrase
- report problems to Axis support staff by logging in to your private support area
- chat with Axis support staff
- visit Axis Support at axis.com/support

Learn more!

Visit Axis learning center axis.com/learning for useful trainings, webinars, tutorials and guides.

コンタクト情報

Axis Ex AB
Gränden 1
223 69 Lund
Sweden

電話: +46 46 272 18 00
Fax: +46 46 13 61 30

axis.com

保証情報

Axisの製品保証と関連情報については、axis.com/warrantyを参照してください。

サポート

技術サポートが必要な場合は、Axisの販売店までお問い合わせください。ご質問にすぐにお答えできない場合は、お客様をお待たせしないように、お問い合わせ内容が販売店から適切な窓口に送られます。インターネットに接続している場合は、次の作業を自身で行うことができます。

- ユーザードキュメントとソフトウェア更新をダウンロード
- 製品、カテゴリー、フレーズ検索機能を使用して、FAQデータベース内で解決済みの質問への回答を見つける
- お客様専用のサポートページにログインし、Axisサポートスタッフに問題を報告
- Axisサポートスタッフとチャット
- Axisサポートaxis.com/supportにアクセス

詳細情報

Axisラーニングセンター (axis.com/learning) にアクセスしてください。役に立つトレーニング、ウェブセミナー、チュートリアル、ガイドをご用意しています。

AXIS P1468-XLE Explosion-Protected Bullet Camera (防爆型弾丸カメラ)

Version history

Version	Date	Details
1.0	2022-12-15	First release
2.0	2023-10-10	Updated marking details
3.0	2024-02-01	Added cable gland installation details
4.0	2024-06-03	Updated illustrations and change of part number to 3086318 (old part number: 2939314)

Specific conditions of use

⚠WARNING

Always refer to the product certificates for any specific conditions of use.

- Take precautions to minimise the risk of electrostatic charging. For more information, see *Maintenance on page 10*.
- The equipment shall only be used in an area of at least pollution degree 2, as defined in IEC 60664-1.
- Equipment must not be exposed to impact energy exceeding 2 Joules to the window, and 4 Joules to the rest of the body.
- Orientation of the product must be in accordance with the installation instructions. The device must not be surrounded with more dust than the surfaces can retain.
- Transient protection shall be provided that is set at a level not exceeding 140% of the peak rated voltage value at the supply terminals to the equipment
- Capacitance of accessible metal parts of the equipment is 85.4 pF and shall be considered in the specific application.

Installation

⚠WARNING

All installation and maintenance must be carried out by a suitably skilled electrician in accordance with all local and national standards and codes of practice e.g. NFPA70 (National Electrical Code), CSA C22.1 (Canadian Electrical Code, Part I Safety Standard for Electrical Installations), IEC/EN 60079-14 (Explosive atmospheres - Electrical installations design, selection and erection) and IEC/EN 60079-17 (Explosive atmospheres. Electrical installations inspection and maintenance).

- The installer must comply with the technical data attached.

AXIS P1468-XLE Explosion-Protected Bullet Camera (防爆型弾丸カメラ)

EN

- Ensure that all items are approved and certified for the environmental and installation requirements. Check the rating label to ensure that the device is being used within the correct ambient temperature and environmental conditions, and that the power supply is suitable.
- The device must be installed $\leq 2\ 000$ m above sea level.
- Cable entry points can reach a temperature of 81.1°C . Use a suitable cable for the end application.
- Modifications or design changes to the device are not allowed.
- Safety rules and national regulations must be observed.
- Never install the device in an area that may exceed the ambient temperature range.
- Aggressive substances may require extra protection.
- The device must be protected by additional means of protection if it is exposed to excessive external stress, that is vibration, heat or impact.
- If the device is not used in a manner specified by the manufacturer, the device's protection may be impaired. Incoming cables must comply with the national standards.
- If the device is re-installed or the incoming cables are re-wired, new grommets must be used. The rubber of the grommet must be fresh and the grommet must be unused.
- Replacement parts may only be installed using component parts as specified by Axis Ex AB.
- Fixing brackets must be tightened upon installation. Suitable screws must be used. See the device's datasheet for information about the weight.
- Install in an appropriate environment, according to IEC/EN/UL 60079-14 and IEC/EN/UL 60079-17.
- The power connector must be glued when connected. Apply glue on the male connector.

Manufacturer	Glue type	Temperature range of adhesive
Gorilla Glue	Gorilla Super Glue	-55°C to $+100^{\circ}\text{C}$
Henkel	LOCTITE 402	-40°C to $+135^{\circ}\text{C}$
Permabond	Permabond 801	-55°C to $+130^{\circ}\text{C}$
Permabond	Permabond 802	-55°C to $+160^{\circ}\text{C}$
Permabond	Permabond 820	-55°C to $+200^{\circ}\text{C}$

Cable gland

To fulfil JPEX certification, this device must be installed with the specified cable gland, included with the unit.

AXIS P1468-XLE Explosion-Protected Bullet Camera (防爆型弾丸カメラ)

Manufacturer	Jacob GmbH
Thread type	M20x1.5
Model name	K100-1020-00-EX
Ex marking	Ex eb IIC Gb Ex tb IIIC Db
IECEX certificate number	IECEX BVS 17.0101X
Degree of protection according to EN/IEC 60529	IP66/IP68 (10 bar, 30 min)*
Operating temperature	-40 °C to +85 °C
Material	Nickel plated brass Nitrile rubber NBR
Cable diameter	8–13 mm
Specific conditions of use to be considered for installation with this device	The cable gland is tested with a reduced tensile force (25%) in accordance with clause A.3.1 of IEC 60079-0. It may only be used for fixed installation of Group II and Group III apparatus. The user shall ensure adequate clamping of the cable.

* The Ingress Protection of the device is not relying on the cable gland. Instead it is provided by the cable grommets inside the equipment.

Cable gland installation

⚠ WARNING

Hazard due to modification or alteration! Explosion protection at risk!

The cable gland may not be modified or altered.

Before installation:

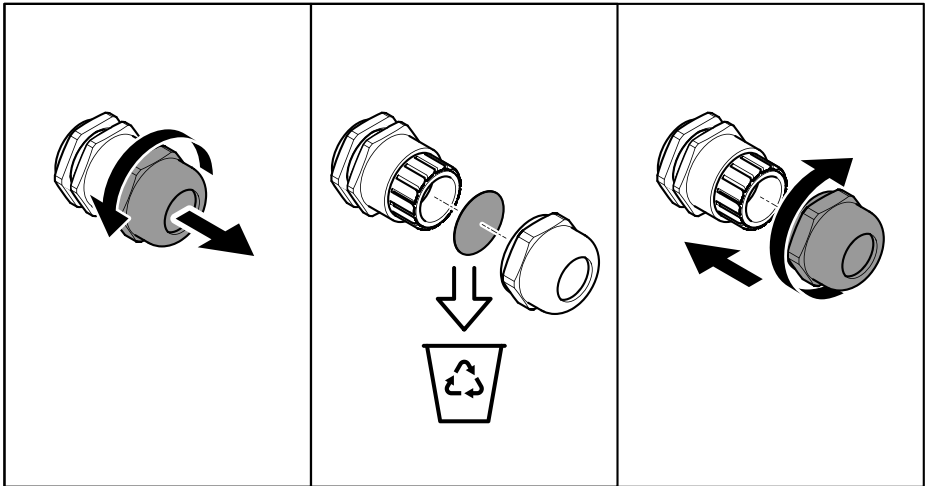
- Ensure that the cable gland is undamaged. Check the thread, sealing rings and o-ring-sealings.
- Remove the dust cap.
- Additional reliable strain relief/anchorage must be guaranteed for the inserted and fixed installed cables.

During installation:

AXIS P1468-XLE Explosion-Protected Bullet Camera (防爆型弾丸カメラ)

- Make sure that the cable gland is fully screwed into the connecting thread.
- Ensure proper seating of the sealing rings and o-ring-sealings.
- Ensure that the specified protection grades are upheld.
- To prevent loosening, if necessary use an additional hexagonal locknut or suitable thread locking fluid.

EN



Wiring

▲WARNING

Disconnect the device from the power source before starting any operations.

- Ensure that the voltage is correct before beginning any maintenance or connections.
- The device must be electrically installed and serviced by skilled persons.
- Earth connection ferrule should be of a suitable material to avoid corrosion.
- Use suitably color coded conductors or other means of identification. Earthing conductors should be green and yellow.
- Use only certified cable devices that matches the end application.
- In each installation, main equipotential bonding conductors shall connect to the main earthing terminal extraneous conductive-parts of that installation. Where supplementary equipotential bonding is necessary, it shall connect together the exposed conductive-parts

AXIS P1468-XLE Explosion-Protected Bullet Camera (防爆型弾丸カメラ)

of the device in the circuits concerned and extraneous-conductive-parts. The external bonding cable shall be at least 4 mm².

Maintenance

The device does not contain any servicable parts. No covers or seals should be removed.

▲WARNING

It is strictly prohibited to carry out any attempt of repairs other than by approved and trained personnel.

- You may only open the device to access the SD card and to connect the cables. Do not remove the device's front glass for any reason.
- Check all mounting fasteners for tightness at a regular interval.
- To maintain a smooth operation, clean the device regularly. Use water, mild detergent and a damp cloth.
- Be careful not to scratch, damage or leave fingerprints on the front glass. This could decrease image quality. If possible, keep the protective plastic on the front glass until the installation is completed.
- Never use harsh detergents, gasoline, benzene, acetone, or similar chemicals.

Battery

The Axis product uses a 3.0 V BR1632 lithium battery as the power supply for its internal real-time clock (RTC). Under normal conditions this battery will last for a minimum of five years.

Low battery power affects the operation of the RTC, causing it to reset at every power-up. When the battery voltage is low, a log message will appear in the product's server report.

▲CAUTION

Do not replace the battery yourself. Contact Axis support if the log message requests a battery change.

Lithium coin cell 3.0 V batteries contain 1,2-dimethoxyethane; ethylene glycol dimethyl ether (EGDME), CAS no. 110-71-4.

Further information

- The user manual is available at axis.com
- To check if there is updated firmware available for your device, see axis.com/support
- For useful online trainings and webinars, see axis.com/academy

AXIS P1468-XLE Explosion-Protected Bullet Camera (防爆型弾丸カメラ)

Optional accessories

For a complete list of available accessories for this product, go to the product's page on axis.com and select Software & Accessories.

EN

AXIS P1468-XLE Explosion-Protected Bullet Camera (防爆型弾丸カメラ)

Historique de la version

Version	Date	Détails
1.0	2022-12-15	Première version
2.0	2023-10-10	Détails de marquage mis à jour
3.0	2024-02-01	Ajout des détails d'installation du presse-étoupe
4.0	2024-06-03	Mise à jour des illustrations et changement du numéro de pièce en 3086318 (ancien numéro de pièce : 2939314)

Conditions d'utilisation spécifiques

⚠️ AVERTISSEMENT

Pour toute condition d'utilisation spécifique, consultez les certificats du produit.

- Prenez les précautions nécessaires pour limiter le risque de charge électrostatique. Pour en savoir plus, consultez *Maintenance à la page 16*.
- L'équipement ne doit être utilisé que dans une zone avec un degré de pollution d'au moins égal à 2, tel que défini dans la norme IEC 60664-1.
- L'équipement ne doit pas être exposé à une énergie d'impact supérieur à 2 joules au niveau de la fenêtre et à 4 joules pour le reste du corps.
- L'orientation du produit doit être conforme aux instructions d'installation. L'appareil ne doit pas être entouré d'une quantité de poussière supérieure à celle que les surfaces peuvent retenir.
- La protection contre les tensions transitoires doit être assurée à un niveau ne dépassant pas 140 % de la valeur de la tension nominale de crête aux bornes d'alimentation de l'équipement.
- La capacitance des parties métalliques accessibles de l'équipement est de 85,4 pF et doit être prise en compte dans l'application spécifique.

Installation

⚠️ AVERTISSEMENT

Toute installation et opération de maintenance doit être réalisée par un électricien qualifié conformément à toutes les normes et codes de pratique locaux et nationaux : p. ex. NFPA70 (Code électrique national), CSA C22.1 (Code canadien de l'électricité, Norme de sécurité Partie I pour les installations électriques), IEC/EN 60079-14 (Atmosphères explosives - Conception, sélection et montage des installations électriques) et IEC/EN 60079-17 (Atmosphères explosives. Maintenance et inspection des installations électriques).

AXIS P1468-XLE Explosion-Protected Bullet Camera (防爆型弾丸カメラ)

- L'installateur doit se conformer aux données techniques jointes.
- Assurez-vous que toutes les pièces sont approuvées et certifiées pour les exigences environnementales et d'installation. Consultez l'étiquette de protection afin de vous assurer que le périphérique est utilisé dans les conditions environnementales et de température ambiante correctes, et que le bloc d'alimentation est adapté.
- Le périphérique doit être installé à $\leq 2\,000$ m au-dessus du niveau de la mer.
- Les points d'entrée des câbles peuvent atteindre une température de 81,1 °C. Utilisez un câble adapté à l'application finale.
- Il est interdit de modifier le périphérique ou sa conception.
- Les règles de sécurité et les réglementations nationales doivent être respectées.
- Ne jamais installer de périphérique dans des zones qui peuvent dépasser la plage de températures ambiantes.
- Les substances corrosives peuvent exiger une protection supplémentaire.
- Le périphérique doit être davantage protégé s'il est exposé à des conditions extérieures excessives (vibrations, chaleur ou impacts).
- Si le périphérique n'est pas utilisé de la façon spécifiée par le fabricant, sa protection peut être affectée. Les câbles entrants doivent être conformes aux normes nationales.
- Si le périphérique est réinstallé ou que les câbles entrants sont à nouveau câblés, de nouveaux passe-câbles doivent être utilisés. Le caoutchouc du passe-câble doit être récent et le passe-câble doit être inutilisé.
- Les pièces de rechange ne peuvent être montées qu'à l'aide de composants, comme spécifié par Axis Ex AB.
- Les supports de fixation doivent être serrés lors de l'installation. Des vis adaptées doivent être utilisées. Pour plus d'informations sur le poids du périphérique, consultez sa fiche technique.
- Installez-le dans un environnement approprié, selon IEC/EN/UL 60079-14 et IEC/EN/UL 60079-17.
- Le connecteur d'alimentation doit être collé lorsqu'il est connecté. Appliquez de la colle sur le connecteur mâle.

FR

Fabricant	Type de colle	Plage de température de l'adhésif
Colle Gorilla	Colle Gorilla Super Glue	-55 °C à +100 °C
Henkel	LOCTITE 402	-40 °C à +135 °C
Permabond	Permabond 801	-55 °C à +130 °C
Permabond	Permabond 802	-55 °C à +160 °C
Permabond	Permabond 820	-55 °C à +200 °C

AXIS P1468-XLE Explosion-Protected Bullet Camera (防爆型弾丸カメラ)

Presse-étoupe

Pour bénéficier de la certification JPEX, cet appareil doit être installé avec le presse-étoupe indiqué, livré avec l'unité.

Fabricant	Jacob GmbH
Type de filetage	M20 x 1,5
Nom du modèle	K100-1020-00-EX
Marquage Ex	Ex eb IIC Gb Ex tb IIIC Db
N° de certificat IECEx	IECEx BVS 17.0101X
Degré de protection conformément à la norme EN/IEC 60529	IP66/IP68 (10 bar, 30 min)*
Température de fonctionnement	-40 °C à +85 °C
Matériau	Cuivre plaqué nickel Caoutchouc nitrile (NBR)
Diamètre des câbles	8 à 13 mm
Conditions d'utilisation particulières concernant l'installation avec cet appareil	Le presse-étoupe est testé avec une force de traction réduite (25 %) conformément à la clause A.3.1 de la norme IEC 60079-0. Il ne peut être utilisé que pour l'installation fixe d'appareils du groupe II et du groupe III. L'utilisateur doit assurer le serrage adéquat du câble.

* La protection contre la pénétration (Ingress Protection) de l'appareil ne repose pas sur le presse-étoupe. Elle est fournie via les passe-câbles à l'intérieur de l'équipement.

Installation du presse-étoupe

⚠ AVERTISSEMENT

Danger dû à une modification ou à une altération ! Protection contre les explosions à risque !

Le presse-étoupe ne peut pas être modifié ou altéré.

Avant l'installation :

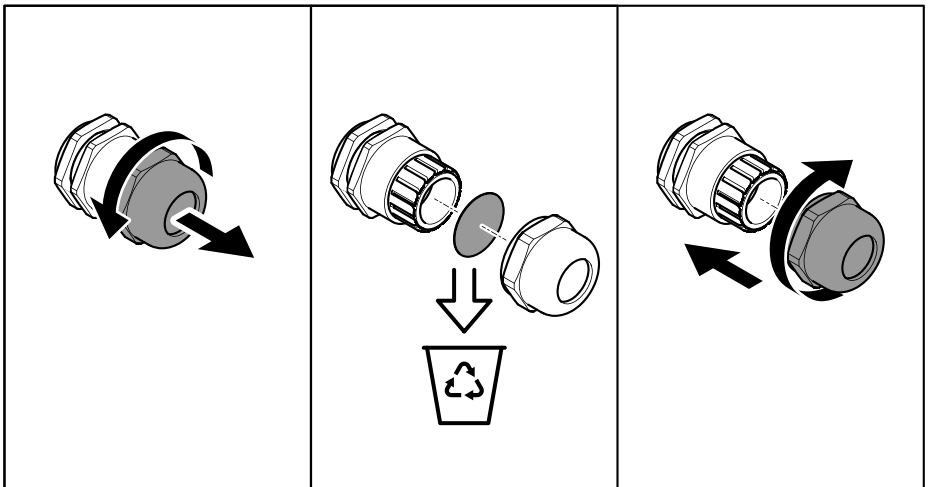
AXIS P1468-XLE Explosion-Protected Bullet Camera (防爆型弾丸カメラ)

- Assurez-vous que le presse-étoupe n'est pas endommagé. Vérifiez le filetage, les bagues de joint et les joints toriques.
- Retirez le cache-poussière.
- Un relief/ancrage de tension supplémentaire fiable doit être garanti pour les câbles installés insérés et fixes.

Pendant l'installation :

- Assurez-vous que le presse-étoupe est complètement vissé dans le filetage de connexion.
- Assurez-vous que les bagues de joint et les joints toriques sont correctement scellés.
- Assurez-vous que les qualités de protection spécifiées sont maintenues.
- Pour éviter tout desserrement, utilisez, si nécessaire, un contre-écrou hexagonal supplémentaire ou un liquide de verrouillage à filetage adapté.

FR



Câblage

⚠️ AVERTISSEMENT

Débranchez le périphérique de la source d'alimentation avant toute opération.

- Vérifiez que la tension est correcte avant de commencer une opération de maintenance ou les branchements.

AXIS P1468-XLE Explosion-Protected Bullet Camera (防爆型弾丸カメラ)

- L'installation électrique et l'entretien du périphérique doivent être réalisés par des personnes qualifiées.
- L'embout du branchement à la terre doit être dans un matériau qui évite la corrosion.
- Utilisez des conducteurs à code couleur ou d'autres moyens d'identification. Les conducteurs de mise à la terre doivent être verts et jaunes.
- Utilisez uniquement des périphériques de câble certifiés qui correspondent à l'application finale.
- Dans chaque installation, les principaux conducteurs de terre équipotentiels doivent se connecter aux principaux éléments conducteurs erratiques du terminal de mise à la terre de cette installation. Lorsqu'une mise à la terre équipotentielle supplémentaire est nécessaire, elle doit relier les éléments conducteurs exposés de l'appareil dans les circuits concernés et les éléments conducteurs erratiques. Le câble de connexion à la terre externe doit être au minimum de 4 mm².

Maintenance

Le périphérique ne contient aucune partie réparable. Aucun couvercle ni joint ne doit être retiré.

⚠AVERTISSEMENT

Il est strictement interdit de réaliser toute tentative de réparation autre que par du personnel agréé et formé.

- Vous pouvez uniquement ouvrir le périphérique pour accéder à la carte SD et connecter les câbles. Ne retirez pas la vitre avant du périphérique pour toute raison.
- Vérifiez régulièrement l'étanchéité de tous les éléments de fixation.
- Pour conserver un fonctionnement fluide, nettoyez régulièrement le périphérique. Pour cela, utilisez de l'eau, un détergent doux et un chiffon humide.
- Faites attention à ne pas rayer, endommager ou laisser d'empreintes sur la vitre avant. Cela pourrait diminuer la qualité de l'image. Laissez, si possible, la protection en plastique sur la vitre avant jusqu'à la fin de l'installation.
- N'utilisez jamais de détergents agressifs, d'essence, de benzène, d'acétone ou autres produits chimiques similaires.

Batterie

Le produit Axis utilise une batterie au lithium BR1632 3,0 V comme alimentation de son horloge en temps réel interne (RTC). Dans des conditions normales, cette batterie a une durée de vie minimale de cinq ans.

Si la batterie est faible, le fonctionnement de l'horloge en temps réel peut être affecté et entraîner sa réinitialisation à chaque mise sous tension. Un message enregistré apparaît dans le rapport de serveur du produit lorsque la tension de la batterie est basse.

⚠ATTENTION

AXIS P1468-XLE Explosion-Protected Bullet Camera (防爆型弾丸カメラ)

Ne remplacez pas la batterie vous-même. Contactez le support Axis si le message du journal demande un changement de batterie.

Les piles boutons 3,0 V au lithium contiennent du 1,2-diméthoxyéthane, éthylène glycol diméthyl éther (EGDME), CAS n° 110-71-4.

Informations supplémentaires

FR

- Le manuel d'utilisation est disponible sur axis.com
- Pour vérifier si le firmware a été mis à jour pour votre périphérique, voir axis.com/support
- Pour accéder à des formations et webinaires en ligne utiles, voir axis.com/academy

Accessoires en option

Pour une liste complète des accessoires disponibles pour ce produit, accédez à la page du produit sur axis.com et sélectionnez Logiciel et accessoires.

AXIS P1468-XLE Explosion-Protected Bullet Camera (防爆型弾丸カメラ)

Versionsverlauf

Version	Datum	Einzelheiten
1.0	2022-12-15	Erste Version
2.0	2023-10-10	Aktuelle Details zur Markierung
3.0	2024-02-01	Einzelheiten zur Montage der Kabelverschraubung hinzugefügt
4.0	2024-06-03	Aktualisierte Abbildungen und Änderung der Teilenummer in 3086318 (alte Teilenummer: 2939314)

Besondere Verwendungsbedingungen

⚠ WARNUNG

Bei besonderen Einsatzbedingungen ziehen Sie bitte die Produktbescheinigungen zu Rate.

- Treffen Sie Vorkehrungen, um die Gefahr einer elektrostatischen Aufladung zu minimieren. Weitere Informationen finden Sie unter *Wartung auf Seite 22*.
- Die Geräte dürfen nur in Bereichen mit einem Verschmutzungsgrad von mindestens 2 gemäß der IEC 60664-1 betrieben werden.
- Die Geräte dürfen keiner Aufprallenergie von mehr als 2 Joule auf das Fenster und von 4 Joule auf den Rest des Gehäuses ausgesetzt werden.
- Das Produkt ist den Installationsanweisungen entsprechend auszurichten. Die Staubbelastung des Geräts darf nicht höher sein als die Aufnahmefähigkeit der Oberflächen.
- Der bereitzustellende Überspannungsschutz muss auf einen Wert eingestellt werden, der 140 % des Spitzenwerts der Nennspannung an den Versorgungsklemmen des Geräts nicht überschreitet.
- Die elektrische Kapazität der zugänglichen Metallteile der Geräte beträgt 85,4 pF und ist bei der jeweiligen Anwendung zu berücksichtigen.

Installation

⚠ WARNUNG

Alle Installations- und Wartungsarbeiten müssen von einer entsprechend ausgebildeten Elektrofachkraft in Übereinstimmung mit allen lokalen und nationalen Normen und Vorschriften durchgeführt werden, z. B. NFPA70 (National Electrical Code), CSA C22.1 (Canadian Electrical Code, Part I Safety Standard for Electrical Installations), IEC/EN

AXIS P1468-XLE Explosion-Protected Bullet Camera (防爆型弾丸カメラ)

60079-14 (Explosive Atmosphären – Planung, Auswahl und Errichtung elektrischer Anlagen) und IEC/EN 60079-17 (Explosive Atmosphären. Prüfung und Wartung elektrischer Anlagen).

- Der Installateur muss die beigegeführten technischen Daten einhalten.
- Stellen Sie sicher, dass alle Teile für die Umgebungs- und Installationsanforderungen zugelassen und zertifiziert sind. Überprüfen Sie das Typenschild, und vergewissern Sie sich, dass das Gerät bei der richtigen Umgebungstemperatur und unter den richtigen Umgebungsbedingungen mit einer geeigneten Stromquelle betrieben wird.
- Das Gerät muss in einer Höhe von $\leq 2\,000$ m über dem Meeresspiegel installiert werden.
- Die Kabeleinführungen können eine Temperatur von $81,1\text{ °C}$ erreichen. Verwenden Sie ein für die Endanwendung geeignetes Kabel.
- Eigenmächtige oder konstruktive Veränderungen des Geräts sind untersagt.
- Es sind die einschlägigen Sicherheitsvorschriften und nationalen Bestimmungen zu beachten.
- Installieren Sie das Gerät niemals an Stellen, an denen eine Überschreitung der zulässigen Umgebungstemperatur möglich ist.
- Aggressive Substanzen erfordern möglicherweise zusätzliche Schutzmaßnahmen.
- Falls das Gerät übermäßigen äußeren Belastungen, d. h. Vibrationen, Hitze oder Stößen ausgesetzt ist, sind zusätzliche Schutzmaßnahmen zu treffen.
- Bei unsachgemäßer oder nicht bestimmungsgemäßer Verwendung nach den Angaben des Herstellers kann die Schutzfunktion des Geräts beeinträchtigt werden. Eingehende Kabel müssen den nationalen Normvorschriften entsprechen.
- Bei einer Ummontage oder Neuverkabelung des Geräts sind neue Kabeldichtungen zu verwenden. Das Gummi der der Kabeldichtung muss einwandfrei und die Kabeldichtung noch unbenutzt sein.
- Für den Einbau von Ersatzteilen dürfen nur die von Axis Ex AB angegebenen Komponenten verwendet werden.
- Die Befestigungselemente müssen bei der Installation fest angezogen werden. Dazu sind geeignete Schrauben zu verwenden. Das Gewicht des Geräts ist dem entsprechenden Datenblatt zu entnehmen.
- Installieren Sie das Gerät in einer geeigneten Betriebsumgebung gemäß IEC/EN/UL 60079-14 und IEC/EN/UL 60079-17.
- Der Steckverbinder für den Stromanschluss ist beim Anschließen mit einem entsprechenden Klebstoff abzudichten. Tragen Sie den Dichtkleber auf den Stecker auf.

DE

Hersteller	Klebstoff	Temperaturbereich
Gorilla Glue	Gorilla Super Glue	-55 °C bis $+100\text{ °C}$
Henkel	LOCTITE 402	-40 °C bis $+135\text{ °C}$
Permabond	Permabond 801	-55 °C bis $+130\text{ °C}$

AXIS P1468-XLE Explosion-Protected Bullet Camera (防爆型弾丸カメラ)

Permabond	Permabond 802	-55 °C bis +160 °C
Permabond	Permabond 820	-55 °C bis +200 °C

Kabelverschraubung

Um ein JPEX-Zertifikat zu erhalten, muss dieses Gerät mit der angegebenen Kabelverschraubung installiert werden, die im Lieferumfang des Geräts enthalten ist.

Hersteller	Jacob GmbH
Gewindetyp	M20 x 1,5
Modellname	K100-1020-00-EX
Ex-Kennzeichnung	Ex eb IIC Gb Ex tb IIIC Db
IECEX-Zertifikatsnummer	IECEX BVS 17.0101X
Schutzklasse nach EN/IEC 60529	IP66/IP68 (10 bar, 30 Min.)*
Betriebstemperatur	-40 °C bis +85 °C
Material	Nickelbeschichtetes Messing Nitrilkautschuk NBR
Kabeldurchmesser	8–13 mm
Besondere Nutzungsbedingungen für die Installation mit diesem Gerät	Die Kabelverschraubung wird mit einer reduzierten Zugkraft (25 %) gemäß Abschnitt A.3.1 von IEC 60079-0 geprüft. Sie darf nur für die feste Installation von Geräten der Gruppen II und III verwendet werden. Der Benutzer muss für eine ausreichende Klemmung des Kabels sorgen.

* Der Schutz vor Eindringen (Ingress Protection) des Geräts ist nicht von der Kabelverschraubung abhängig. Stattdessen wird er von den Kabeltüllen im Inneren des Geräts bereitgestellt.

Montage der Kabelverschraubung

⚠ WARNUNG

Gefahr bei Modifikationen oder Veränderungen! Explosionsschutz gefährdet!

Die Kabelverschraubung darf weder modifiziert noch verändert werden.

AXIS P1468-XLE Explosion-Protected Bullet Camera (防爆型弾丸カメラ)

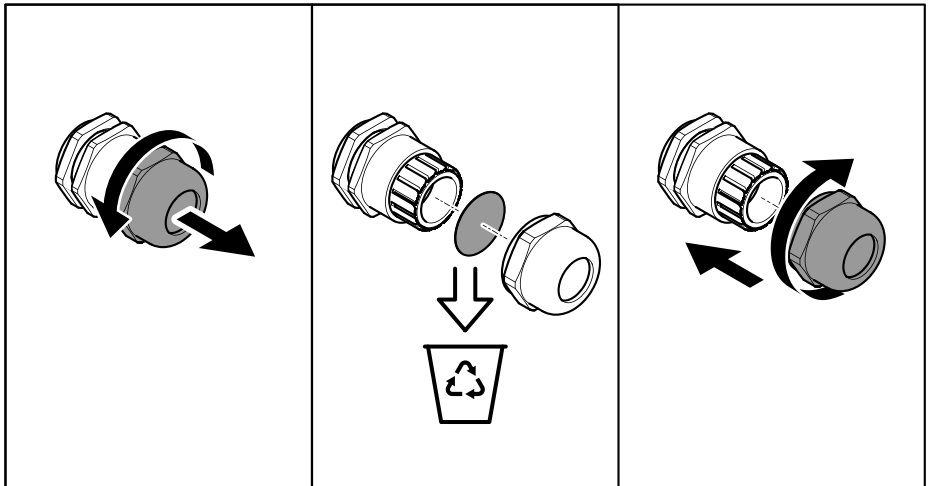
Vor der Montage:

- Stellen Sie sicher, dass die Kabelverschraubung unbeschädigt ist. Kontrollieren Sie das Gewinde sowie die Dichtungs- und O-Ringe.
- Entfernen Sie die Staubschutzkappe.
- Die eingezogenen und befestigten Kabel sind zusätzlich mit einer zuverlässigen Zugentlastung/Sicherung zu versehen.

Während der Montage:

- Stellen Sie sicher, dass die Kabelverschraubung vollständig auf das Anschlussgewinde aufgeschraubt ist.
- Achten Sie auf den richtigen Sitz der Dichtungs- und O-Ringe.
- Stellen Sie sicher, dass die angegebenen Schutzarten eingehalten werden.
- Verwenden Sie gegebenenfalls eine zusätzliche Sechskantmutter oder ein geeignetes Gewindedichtmittel zur Schraubensicherung.

DE



Verkabelung

▲WARNUNG

Trennen Sie das Gerät von der Stromquelle, bevor Sie es in Betrieb nehmen.

AXIS P1468-XLE Explosion-Protected Bullet Camera (防爆型弾丸カメラ)

- Vergewissern Sie sich, dass die Spannung korrekt ist, bevor Sie mit Wartungsarbeiten oder Anschlüssen beginnen.
- Das Gerät darf ausschließlich von einer Elektrofachkraft installiert und gewartet werden.
- Die Erdungshülse sollte zur Vermeidung von Korrosion aus einem geeigneten Material bestehen.
- Verwenden Sie entsprechend farbcodierte Leiter oder andere Kennzeichnungsmittel. Erdungsleiter sollten grün/gelb gekennzeichnet sein.
- Verwenden Sie ausschließlich zertifizierte Kabel, die für die Endanwendung geeignet sind.
- Die Hauptpotenzialausgleichsleiter sind bei jeder Anlage an die Haupterdungsklemme anzuschließen, die außerhalb der leitfähigen Anlageteile angeordnet sein muss. Sollte ein zusätzlicher Potenzialausgleich erforderlich sein, sind die freiliegenden leitenden Teile des Geräts in den betreffenden Stromkreisen sowie die fremdleitenden Teile zusammen anzuschließen. Der Kabelquerschnitt des externen Verbindungskabels muss mindestens 4 mm² betragen.

Wartung

Das Gerät enthält keine zu wartenden Teile. Es dürfen keine Abdeckungen oder Abdichtungen entfernt werden.

⚠️ WARNUNG

Reparaturversuche durch unbefugte und nicht entsprechend ausgebildete Personen sind strengstens untersagt.

- Das Gerät darf nur geöffnet werden, um an die SD-Karte zu gelangen und die Kabel anzuschließen. Die Frontscheibe des Geräts darf niemals entfernt werden.
- Überprüfen Sie regelmäßig alle Befestigungselemente auf festen Sitz.
- Reinigen Sie das Gerät regelmäßig, um einen reibungslosen Betrieb zu gewährleisten. Verwenden Sie zur Reinigung Wasser, ein mildes Reinigungsmittel und ein feuchtes Tuch.
- Achten Sie darauf, dass Sie die Frontscheibe nicht zerkratzen, beschädigen oder Fingerabdrücke darauf hinterlassen. Dies kann die Bildqualität beeinträchtigen. Belassen Sie, wenn möglich, die Schutzfolie auf der Frontscheibe, bis die Montage abgeschlossen ist.
- Keine aggressiven Reinigungsmittel, Waschbenzin, Benzol, Aceton oder ähnliche Chemikalien verwenden.

Batterie

Das Axis Produkt ist mit einer 3,0-V-BR1632-Lithium-Batterie ausgestattet, mit der die interne Echtzeituhr (RTC) versorgt wird. Unter normalen Bedingungen hat die Batterie eine Lebensdauer von mindestens fünf Jahren.

AXIS P1468-XLE Explosion-Protected Bullet Camera (防爆型弾丸カメラ)

Eine nicht ausreichend geladene Batterie beeinträchtigt den Betrieb der Echtzeituhr, die dann bei jedem Systemstart zurückgesetzt wird. Sie erhalten eine Protokollnachricht im Server-Bericht des Produkts, wenn die Batteriespannung niedrig ist.

⚠VORSICHT

Tauschen Sie die Batterie nicht selbst aus. Wenden Sie sich an den Axis Support, wenn die Protokollnachricht einen Batterietausch anfordert.

Lithium-Knopfzellen (3,0 V) enthalten 1,2-Dimethoxyethan; Ethylenglycoldimethylether (EGDME), CAS-Nr. 110-71-4.

DE

Weitere Informationen

- Das Benutzerhandbuch steht auf axis.com zur Verfügung.
- Unter axis.com/support finden Sie die aktuellen Firmwareversionen für Ihr Gerät.
- Nützliches Onlinetraining und Webinare finden Sie unter axis.com/academy.

Optionales Zubehör

Eine vollständige Liste lieferbaren Zubehörs für dieses Produkt finden Sie auf axis.com unter Produkt, Software und Zubehör.

AXIS P1468-XLE Explosion-Protected Bullet Camera (防爆型弾丸カメラ)

Cronologia delle versioni

Versione	Data	Dettagli
1.0	2022-12-15	Prima release
2.0	2023-10-10	Dettagli di contrassegno aggiornati
3.0	2024-02-01	Aggiunti dettagli sull'installazione del pressacavo
4.0	2024-06-03	Illustrazioni aggiornate e modifica del numero di parte a 3086318 (vecchio numero di parte: 2939314)

Condizioni d'uso specifiche

⚠AVVISO

Per qualsiasi condizione d'uso specifica, si devono sempre consultare i certificati del dispositivo.

- Prendere precauzioni per ridurre al minimo il rischio di carica elettrostatica. Per ulteriori informazioni, consultare *Manutenzione alla pagina 28*.
- L'attrezzatura deve essere utilizzata solo in un'area con grado di inquinamento almeno di 2, come definito nella normativa 60664-1.
- L'attrezzatura non deve essere esposta a un'energia d'impatto superiore a 2 Joule verso la finestra e 4 Joule verso il resto del corpo.
- L'orientamento del dispositivo deve essere conforme alle istruzioni di installazione. Attorno al dispositivo non deve esserci più polvere di quanto le superfici possano trattenere.
- Deve essere fornita una protezione transitoria impostata ad un livello non superiore al 140% del valore di tensione nominale di picco ai terminali di alimentazione dell'apparecchiatura
- La capacità delle parti metalliche accessibili dell'attrezzatura è di 85,4 pF e deve essere considerata nell'applicazione specifica.

Installazione

⚠AVVISO

Ogni operazione di installazione e manutenzione va eseguita da un elettricista adeguatamente qualificato conformemente a tutti gli standard e i codici di buona prassi locali e nazionali, ad es. NFPA70 (National Electrical Code), CSA C22.1 (Canadian Electrical Code, Part I Safety Standard for Electrical Installations), IEC/EN 60079-14 - Explosive

AXIS P1468-XLE Explosion-Protected Bullet Camera (防爆型弾丸カメラ)

atmospheres – Electrical installations design, selection and erection (Atmosfere esplosive - Progettazione, scelta e installazione degli impianti elettrici) e IEC/EN 60079-17 - Explosive atmospheres. Electrical installations inspection and maintenance (Atmosfere esplosive. Verifica e manutenzione degli impianti elettrici).

- L'installatore deve ottemperare ai dati tecnici in allegato.
- Assicurarsi che tutti gli articoli siano dotati di approvazione e certificazione per i requisiti ambientali e di installazione. Per verificare che il dispositivo sia usato nelle condizioni ambientali e di temperatura ambiente giuste e che la sorgente di alimentazione sia idonea, è necessario controllare l'etichetta di classificazione.
- È necessario che l'installazione del dispositivo avvenga a $\leq 2\ 000$ m al di sopra del livello del mare.
- I punti di ingresso dei cavi possono raggiungere una temperatura di 81,1°C. Impiegare un cavo idoneo per l'applicazione finale.
- Non è consentito apportare cambiamenti al design o modifiche al dispositivo.
- Le regole di sicurezza e le norme nazionali devono essere rispettate.
- Il dispositivo non deve mai essere installato in aree le quali potrebbero superare l'intervallo di temperatura ambiente.
- Potrebbero servire ulteriori protezioni per sostanze aggressive.
- Se il dispositivo è esposto a sollecitazioni esterne eccessive, quali vibrazioni, calore o urti, è necessario proteggerlo tramite ulteriori strumenti di protezione.
- Se il dispositivo non viene utilizzato nel modo specificato dal produttore, la protezione del dispositivo potrebbe essere compromessa. I cavi in ingresso devono essere conformi agli standard nazionali.
- Se il dispositivo viene installato nuovamente o i cavi in ingresso vengono cablati nuovamente, è necessario utilizzare nuovi grommets. La gomma dell'anello di tenuta deve essere nuova e l'anello deve essere inutilizzato.
- Si possono installare pezzi di ricambio unicamente tramite l'uso di componenti specificati da Axis Ex AB.
- Le staffe di fissaggio devono essere serrate al momento dell'installazione. È importante utilizzare viti idonee. Per informazioni sul peso del dispositivo, consultare la scheda tecnica del dispositivo.
- Effettuare l'installazione in un ambiente appropriato, in base alle normative IEC/EN/UL 60079-14 e IEC/EN/UL 60079-17.
- Il connettore di alimentazione deve essere incollato al momento della connessione. Applicare la colla sul connettore maschio.

IT

Casa produttrice	Tipo di colla	Intervallo di temperatura dell'adesivo
Gorilla Glue	Gorilla Super Glue	Da -55 °C a +100 °C
Henkel	LOCTITE 402	Da -40 °C a +135 °C

AXIS P1468-XLE Explosion-Protected Bullet Camera (防爆型弾丸カメラ)

Permabond	Permabond 801	Da -55 °C a +130 °C
Permabond	Permabond 802	Da -55 °C a +160 °C
Permabond	Permabond 820	Da -55 °C a +200 °C

Pressacavo

Per soddisfare la certificazione JPEX, questo dispositivo deve essere installato con il pressacavo specificato, incluso con l'unità.

Casa produttrice	Jacob GmbH
Tipo di filo	M20x1,5
Nome modello	K100-1020-00-EX
Marcatura Ex	Ex eb IIC Gb Ex tb IIIC Db
Numero certificato IECEx	IECEx BVS 17.0101X
Grado di protezione secondo EN/IEC 60529	IP66/IP68 (10 bar, 30 min)*
Temperatura di esercizio	Da -40 °C a +85 °C
Materiale	Ottone placcato in nichel Gomma nitrilica NBR
Diametro del cavo	8-13 mm
Condizioni d'uso specifiche da considerare per l'installazione con questo dispositivo	Il pressacavo è testato con una forza di trazione ridotta (25%) in conformità con la clausola A.3.1 di IEC 60079-0. Può essere utilizzato solo per l'installazione fissa di apparecchi del Gruppo II e del Gruppo III. L'utente dovrà garantire un adeguato serraggio del cavo.

* La protezione dell'ingresso del dispositivo non si basa sul pressacavo. Viene invece fornita dai passacavi all'interno dell'apparecchiatura.

Installazione del pressacavo

⚠AVVISO

Pericolo dovuto a modifiche o alterazioni! La protezione contro le esplosioni è a rischio!

Il pressacavo non può essere modificato o alterato.

AXIS P1468-XLE Explosion-Protected Bullet Camera (防爆型弾丸カメラ)

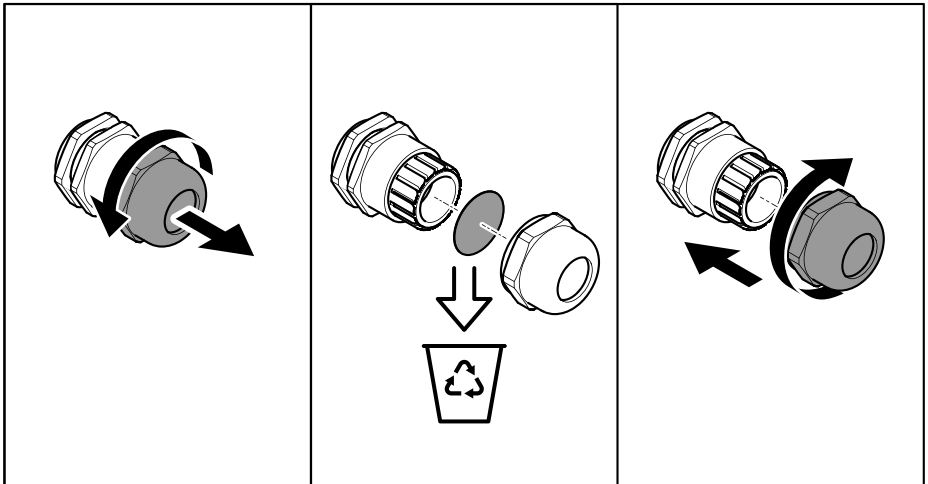
Operazioni preliminari all'installazione:

- Assicurarsi che il pressacavo sia integro. Controllare la filettatura, gli anelli di tenuta e le guarnizioni.
- Rimuovere il cappuccio antipolvere.
- Per i cavi inseriti e fissi è necessario un dispositivo antistrappo/un ancoraggio supplementare affidabile.

Durante l'installazione:

- Assicurarsi che il pressacavo sia completamente avvitato nella filettatura di collegamento.
- Garantire la corretta tenuta degli anelli di tenuta e degli O-ring.
- Verificare che i livelli di protezione specificati siano rispettati.
- Prevenire l'allentamento, se necessario, utilizzare un dado esagonale aggiuntivo o un fluido frenafili adeguato.

IT



Cablaggio

▲AVVISO

Prima di qualsiasi operazione, scollegare il dispositivo dalla sorgente di alimentazione.

AXIS P1468-XLE Explosion-Protected Bullet Camera (防爆型弾丸カメラ)

- Prima di avviare un'operazione di manutenzione o di collegamento, accertarsi che la tensione sia esatta.
- È necessario che persone qualificate si occupino dell'installazione elettrica e della manutenzione/riparazione del dispositivo.
- Per evitare la corrosione, il puntale di messa a terra deve essere realizzato in un materiale idoneo.
- Impiegare conduttori con codice colorato idoneo o altri mezzi di identificazione. I conduttori di messa a terra devono essere di colore verde e giallo.
- Utilizzare solo dispositivi per cavi certificati adatti all'uso finale.
- In ogni installazione, i conduttori di collegamento equipotenziali principali si collegano alle parti conduttive estranee del terminale di messa terra principale di tale installazione. Quando è necessario un collegamento equipotenziale supplementare, collega insieme le parti conduttive esposte del dispositivo nei circuiti interessati e le parti non conduttive. Il cavo di collegamento esterno è di almeno 4 mm².

Manutenzione

In questo dispositivo non sono presenti componenti riparabili dall'utente. Non si devono rimuovere né coperchi né guarnizioni.

▲AVVISO

Qualsiasi tentativo di riparazione che non sia effettuato da personale autorizzato e addestrato è severamente proibito.

- È possibile aprire solo il dispositivo per accedere alla scheda di memoria e per collegare i cavi. Non rimuovere il vetro anteriore del dispositivo per nessun motivo.
- La tenuta di ogni fissaggio di montaggio deve essere controllata a intervalli regolari.
- Per mantenere il dispositivo funzionante, pulirlo regolarmente. Usare acqua, un detergente delicato e un panno umido.
- Fare attenzione a non graffiare, danneggiare o lasciare impronte digitali sul vetro anteriore. Questo potrebbe diminuire la qualità di immagine. Se possibile, tenere la protezione in plastica sul vetro anteriore fino a quando l'installazione non sarà completata.
- Non usare mai detersivi aggressivi, benzina, benzene, acetone o sostanze chimiche simili.

Batteria

Il dispositivo Axis utilizza una batteria al litio da 3 V BR1632 come alimentazione per il suo orologio in tempo reale (RTC) interno. In condizioni normali questa batteria avrà una durata minima di cinque anni.

AXIS P1468-XLE Explosion-Protected Bullet Camera (防爆型弾丸カメラ)

Una bassa carica della batteria influisce sul funzionamento dell'orologio in tempo reale, facendolo resettare a ogni accensione. Quando la tensione della batteria è bassa, un messaggio di registro viene visualizzato nel report del server del dispositivo.

⚠ATTENZIONE

Non sostituire la batteria da soli. Contattare l'assistenza di Axis se il messaggio di registro richiede una sostituzione della batteria.

Le batterie a bottone al litio da 3 V contengono 1,2-dimetossietano; etere dimetilico di glicole etilenico (EGDME), CAS n. 110-71-4.

Ulteriori Informazioni

- Il manuale per l'utente è disponibile all'indirizzo axis.com
- Per verificare se sono stati pubblicati aggiornamenti del firmware per il proprio dispositivo, vedere axis.com/support
- Per servizi di formazione utili e webinar, visita il sito axis.com/academy

IT

Accessori opzionali

Per un elenco completo degli accessori disponibili per questo dispositivo, andare alla pagina del dispositivo al sito axis.com e selezionare Software e accessori.

AXIS P1468-XLE Explosion-Protected Bullet Camera (防爆型弾丸カメラ)

Historial de versiones

Versión	Fecha	Detalles
1.0	2022-12-15	Primera versión
2.0	2023-10-10	Detalles de marcado actualizados
3.0	2024-02-01	Detalles de instalación del prensaestopas agregados
4.0	2024-06-03	Ilustraciones actualizadas y cambio del número de pieza a 3086318 (antiguo número de pieza: 2939314)

Condiciones de uso específicas

⚠ADVERTENCIA

Consulte siempre los certificados de los productos para obtener información sobre las condiciones de uso específicas.

- Tome precauciones para minimizar el riesgo de carga electrostática. Para obtener más información, consulte *Mantenimiento en la página 34*.
- El equipo solo se debe utilizar en un área con un grado de contaminación mínimo de 2, tal y como se define en IEC 60664-1.
- El equipo no debe estar expuesto a una energía de impacto superior a 2 julios en la ventana y 4 julios en el resto del cuerpo.
- La orientación del producto debe ser conforme a las instrucciones de instalación. El dispositivo no debe acumular más polvo del que pueden conservar las superficies.
- Se debe proporcionar protección transitoria que se establezca en un nivel que no supere el 140 % del valor de tensión nominal máximo en los terminales de suministro del equipo.
- La capacitancia de las piezas metálicas accesibles del equipo es de 85,4 pF y se debe considerar en la aplicación específica.

Instalación

⚠ADVERTENCIA

La instalación y el mantenimiento deben ser realizados por un electricista con la cualificación adecuada, y de conformidad con todas las normas y códigos de prácticas locales y nacionales. Por ejemplo, NFPA70 (Código eléctrico nacional), CSA C22.1 (Código eléctrico canadiense, estándar de seguridad de la Parte I para instalaciones eléctricas), IEC/EN 60079-14 (Atmósferas explosivas - Diseño de instalaciones eléctricas, selección y montaje) e IEC/EN 60079-17 (Atmósferas explosivas. Inspección y mantenimiento de instalaciones eléctricas).

AXIS P1468-XLE Explosion-Protected Bullet Camera (防爆型弾丸カメラ)

- El instalador debe cumplir los datos técnicos adjuntos.
- Asegúrese de que todos los productos estén aprobados y certificados para los requisitos ambientales y de instalación. Compruebe la etiqueta de clasificación para asegurarse de que el dispositivo se utiliza en las condiciones ambientales y de temperatura ambiente adecuadas y de que la fuente de alimentación es la correcta.
- El dispositivo no se debe instalar a más de 2000 m sobre el nivel del mar.
- Los puntos de entrada del cable pueden alcanzar una temperatura de 81,1 °C. Use un cable adecuado para el uso final.
- No se permiten modificaciones ni cambios de diseño del dispositivo.
- Se deben cumplir las reglas de seguridad y las normativas nacionales.
- No instale nunca el dispositivo en una zona que pueda superar la temperatura ambiente recomendada.
- Es posible que se necesite protección adicional contra sustancias agresivas.
- El dispositivo se debe proteger mediante un medio de protección adicional si está expuesto a condiciones externas extremas, por ejemplo, vibraciones, calor o golpes.
- Si el dispositivo no se utiliza de la forma especificada por el fabricante, la protección del dispositivo se podría ver afectada. Los cables de entrada deben cumplir las normas nacionales.
- Si se vuelve a instalar el dispositivo o se conectan de nuevo los cables de entrada, se deben utilizar pasatubos nuevos. La goma del pasatubo debe ser flexible y el pasatubo debe estar inutilizado.
- Las piezas de repuesto solo pueden montarse utilizando las piezas de componentes especificados por Axis Ex AB.
- Los soportes de fijación deben apretarse tras la instalación. Se deben usar los tornillos adecuados. Consulte la hoja de datos del dispositivo para obtener información sobre el peso.
- Instale en un entorno adecuado, de conformidad con IEC/EN/UL 60079-14 y IEC/EN/UL 60079-17.
- Cuando se conecta, el conector de alimentación debe estar pegado. Aplique adhesivo en el conector macho.

ES

Fabricante	Tipo de adhesivo	Rango de temperatura del adhesivo
Adhesivo Gorilla	Adhesivo Gorilla Super	De -55 °C a 100 °C
Henkel	LOCTITE 402	De -40 °C a 135 °C
Permabond	Permabond 801	De -55 °C a 130 °C
Permabond	Permabond 802	De -55 °C a 160 °C
Permabond	Permabond 820	De -55 °C a 200 °C

AXIS P1468-XLE Explosion-Protected Bullet Camera (防爆型弾丸カメラ)

Prensaestopas

Para cumplir con la certificación JPEX, este dispositivo se debe instalar con el prensaestopas especificado, incluido con la unidad.

Fabricante	Jacob GmbH
Tipo de rosca	M20x1.5
Nombre de modelo	K100-1020-00-EX
Ex marking	Ex eb IIC Gb Ex tb IIIC Db
Referencia de certificación IECEx	IECEx BVS 17.0101X
Grado de protección según EN/IEC 60529	IP66/IP68 (10 bar, 30 min)*
Temperatura de funcionamiento	De -40 °C a 85 °C
Material	Bronce niquelado NBR de caucho de nitrilo
Diámetro de cable	8-13 mm
Condiciones de uso específicas a tener en cuenta para la instalación con este dispositivo	El prensaestopas se prueba con una fuerza de tracción reducida (25%) según la cláusula A.3.1 de IEC 60079-0. Solo se podrá utilizar para instalación fija de aparatos del Grupo II y del Grupo III. El usuario deberá asegurar una adecuada sujeción del cable.

* La protección de entrada del dispositivo no se basa en el prensaestopas. En su lugar, la proporcionan los pasacables dentro del equipo.

Instalación del prensaestopas

▲ADVERTENCIA

Peligro debido a modificaciones o alteraciones. Protección contra explosiones en riesgo.

El prensaestopas no se puede modificar ni alterar.

Antes de la instalación:

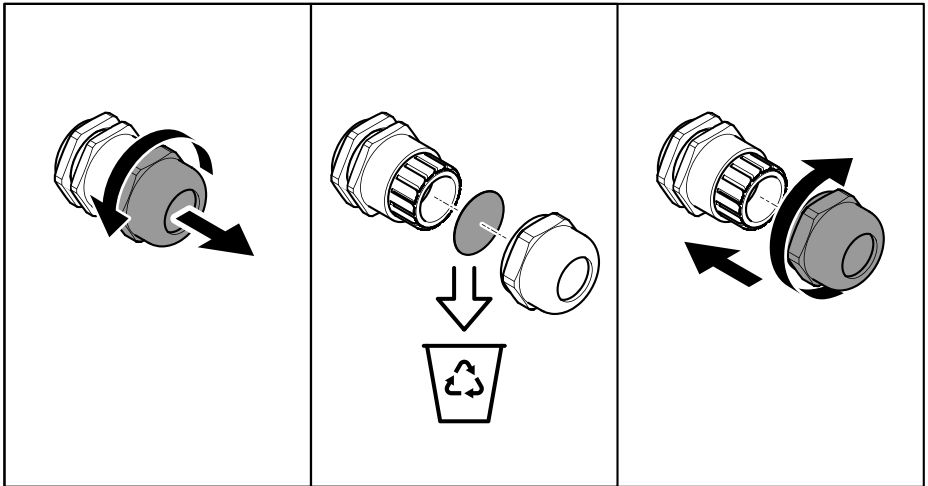
- Asegúrese de que el prensaestopas no esté dañado. Compruebe la rosca, los anillos de sellado y los sellados de junta tórica.
- Elimine el capuchón antipolvo.

AXIS P1468-XLE Explosion-Protected Bullet Camera (防爆型弾丸カメラ)

- Debe garantizarse un alivio de tensión/extensión fiable adicional para los cables insertados y fijos instalados.

Durante la instalación:

- Asegúrese de que el prensaestopas esté totalmente atornillado a la rosca de conexión.
- Asegúrese de que los anillos de sellado y los sellados de junta tórica son correctos.
- Asegúrese de que se han mejorado las calificaciones de protección especificadas.
- Para evitar que se afloje, si es necesario, utilice una tuerca de bloqueo hexagonal adicional o un líquido de bloqueo de rosca adecuado.



ES

Cableado

⚠ADVERTENCIA

Desconecte el dispositivo de la fuente de alimentación antes de iniciar cualquier operación.

- Asegúrese de que la tensión es la correcta antes de iniciar cualquier tarea de mantenimiento o conexión.
- La instalación eléctrica y el mantenimiento del dispositivo solo deben llevarse a cabo por personas cualificadas.
- La conexión a tierra debe ser de un material adecuado para evitar la corrosión.

AXIS P1468-XLE Explosion-Protected Bullet Camera (防爆型弾丸カメラ)

- Use conductores codificados por colores u otros medios de identificación. Los conductores a tierra deben ser de color verde y amarillo.
- Utilice solo dispositivos de cable certificados que coincidan con la aplicación final.
- En cada instalación, los conductores de conexión equipotencial principal deberán conectarse a las partes extraconductoras del terminal de conexión a tierra principal de dicha instalación. En caso de que sea necesario establecer una conexión equipotencial, deberá conectar las partes conductoras expuestas del dispositivo en los circuitos correspondientes y las partes conductoras externas. El cable de conexión externo deberá ser de al menos 4 mm².

Mantenimiento

El dispositivo no contiene piezas que se pueden reparar. No deben quitarse ni cubiertas ni juntas.

⚠ADVERTENCIA

Está terminantemente prohibida la realización de cualquier intento de reparación por personal que no sea el aprobado y tenga la formación correspondiente.

- Solo puede abrir el dispositivo para acceder a la tarjeta SD y para conectar los cables. No elimine el cristal frontal del dispositivo por ningún otro motivo.
- Compruebe la estanqueidad de todos los fijadores de montaje periódicamente.
- Para que el funcionamiento sea el correcto, limpie el dispositivo periódicamente. Use agua, detergente no abrasivo y un paño húmedo.
- Asegúrese de no arañar, dañar ni dejar huellas en el cristal delantero. Esto podría reducir la calidad de imagen. Si es posible, mantenga el plástico de protección en el cristal frontal hasta que se complete la instalación.
- Nunca use detergentes abrasivos, gasolina, benceno, acetona o productos químicos similares.

Batería

Este producto de Axis utiliza una batería de litio BR1632 de 3,0 V como fuente de alimentación del reloj interno en tiempo real. En condiciones normales, esta batería durará un mínimo de cinco años.

Un nivel bajo de batería afectará al funcionamiento del reloj en tiempo real, lo que provocará el restablecimiento de este cada vez que se encienda el producto. Cuando la tensión de la batería esté baja, aparecerá un mensaje de registro en el informe del servidor del producto.

⚠PRECAUCIÓN

No sustituya la batería usted mismo. Póngase en contacto con el servicio de asistencia técnica de Axis si el mensaje de registro solicita un cambio de batería.

Las pilas de botón de litio de 3,0 V contienen 1,2-dimetoxietano; éter dimetilico de etilenglicol (EGDME), n.º CAS 110-71-4.

AXIS P1468-XLE Explosion-Protected Bullet Camera (防爆型弾丸カメラ)

Más información

- El manual de usuario se encuentra disponible en axis.com.
- Para comprobar si existe un firmware actualizado disponible para su dispositivo, vaya a axis.com/support.
- Para consultar webinars y cursos en línea que pueden resultarle útiles, vaya a axis.com/academy.

Accesorios opcionales

Para conocer una lista completa de los accesorios disponibles para este producto, vaya a la página axis.com y seleccione Software y accesorios.

AXIS P1468-XLE Explosion-Protected Bullet Camera (防爆型弾丸カメラ)

バージョン履歴

バージョン	日付	詳細
1.0	2022-12-15	初版発行
2.0	2023-10-10	更新されたマーキングの詳細情報
3.0	2024-02-01	ケーブルグラウンドの設置の詳細を追加
4.0	2024-06-03	イラストを更新し、品番を3086318に変更（旧品番：2939314）

JPEX合格証番号	DEK23.0065X
JNIOSH規格適用	JNIOSH-TR-46-1 : 2020 JNIOSH-TR-46-5 : 2018 JNIOSH-TR-46-9 : 2018

具体的な使用条件

▲警告

具体的な使用条件については、必ず製品証明書を参照してください。

- 静電気帯電のリスクを最小限に抑えるための予防措置を講じてください。詳細については、40ページ、メンテナンスを参照してください。
- 本装置は、IEC 60664-1で定義されている汚染度2以下のエリアでのみ使用する必要があります。
- 機器は、窓に対して2ジュール、身体の他の部分に対しては4ジュールを超える衝撃エネルギーにさらされてはなりません。
- この製品の向きは、設置の手順に従う必要があります。装置の表面には、保持できる量を超えるほこりが付着しないようにしてください。
- 機器への電源ターミナルにおける定格電圧のピーク値の140%を超えないレベルに設定された過渡保護が設けられている必要があります。
- 装置のアクセス可能な金属部品の静電容量は85.4 pFであり、特定の用途で考慮する必要があります。
- ケーブルグラウンドは、JNIOSH-TR-46-1のA.3.1項に従って、引張力を低減(25%)してテストされています。これは、グループIIおよびグループIII機器の固定設置のためのみ使用できます。ユーザーは、ケーブルが適切にクランプされていることを確認する必要があります。

AXIS P1468-XLE Explosion-Protected Bullet Camera (防爆型弾丸カメラ)

設置

▲警告

すべての設置とメンテナンスは、次に示すすべての地域および国の規格と実施規範に従って、適切な技術を持った電気技師が行わなければなりません。ユーザーのための工場防爆設備ガイド (TR-No.44) を従って設置して下さい。

- 設置者は、添付の技術データに準拠している必要があります。
- すべての品目が環境および設置条件に対して承認され、認定されていることを確認してください。本装置が適切な周囲温度と環境条件で使用されていること、および電源が適切であることを、定格ラベルで確認する必要があります。
- 装置は海拔2,000m以下に設置する必要があります。
- ケーブルの入り口ポイントは、81.1° Cの温度に達する可能性があります。最終用途に適したケーブルを使用してください。
- 装置の改造や設計変更は許可されません。
- 安全規則と国の規制を遵守する必要があります。
- 周囲温度の範囲を超える可能性のある場所には、絶対に装置を設置しないでください。
- 刺激の強い物質は、追加の保護が必要な場合があります。
- 装置が振動、熱、衝撃など、過度の外部ストレスにさらされる場合は、追加の保護手段を用いて保護する必要があります。
- メーカーが指定した方法で装置を使用しない場合、装置の保護が損なわれる可能性があります。入力ケーブルは、国の規格に準拠している必要があります。
- 装置を設置し直したり、入力ケーブルの配線をやり直す場合は、新しいグロメットを使用する必要があります。グロメットのゴムは新品で、グロメットは未使用である必要があります。
- 交換部品は、Axis Ex AB指定のコンポーネント部品のみを使用して取り付けることができます。
- 設置時には固定ブラケットを締め付ける必要があります。適切なネジを使用する必要があります。重量の詳細については、装置のデータシートを参照してください。
- ユーザーのための工場防爆設備ガイド (TR-No.44) を従って設置して下さい。
- 電源コネクタは接続時に接着する必要があります。オスコネクタに接着剤を塗布します。

JA

メーカー	接着剤タイプ	接着剤温度範囲
ゴリラグルー	ゴリラスーパーグルー	-55° C～+100° C
ヘンケル	LOCTITE 402	-40° C～+135° C

AXIS P1468-XLE Explosion-Protected Bullet Camera (防爆型弾丸カメラ)

Permabond	Permabond 801	-55 ° C ~ +130 ° C
Permabond	Permabond 802	-55 ° C ~ +160 ° C
Permabond	Permabond 820	-55 ° C ~ +200 ° C

ケーブルグラウンド

JPEX認証を取得するためには、このユニットに付属の、指定されたケーブルグラウンドを使用して設置する必要があります。

メーカー	Jacob GmbH
ネジタイプ	M20×1.5
モデル名	K100-1020-00-EX
防爆マーキング	Ex eb IIC Gb Ex tb IIIC Db
IECEX証明書番号	IECEX BVS 17.0101X
EN/IEC 60529に基づく保護等級	IP66/IP68 (10バール、30分)*
動作温度	-40° C ~ +85° C
材質	ニッケルめっき真鍮 ニトリルゴムNBR
ケーブル径:	8~13 mm
本装置を設置する際に考慮すべき特定の使用条件	ケーブルグラウンドは、JNIOOSH-TR-46-1のA.3.1項に従って、引張力を低減(25%)してテストされています。これは、グループIIおよびグループIII機器の固定設置のためにのみ使用できます。ユーザーは、ケーブルが適切にクランプされていることを確認する必要があります。
適用規格	IEC 60079-0 : 2017 (ed. 7.0) IEC 60079-7 : 2017 (ed. 5.1) IEC 60079-31 : 2022 (ed. 3.0)

AXIS P1468-XLE Explosion-Protected Bullet Camera (防爆型弾丸カメラ)

*装置の侵入保護はケーブルグランドに依存していません。代わりに、侵入保護は機器内のケーブルグロメットによって得られます。

ケーブルグランドの設置

▲警告

改造や変更による危険! 爆発保護に対する危険!

ケーブルグランドを改造または変更することはできません。

設置前:

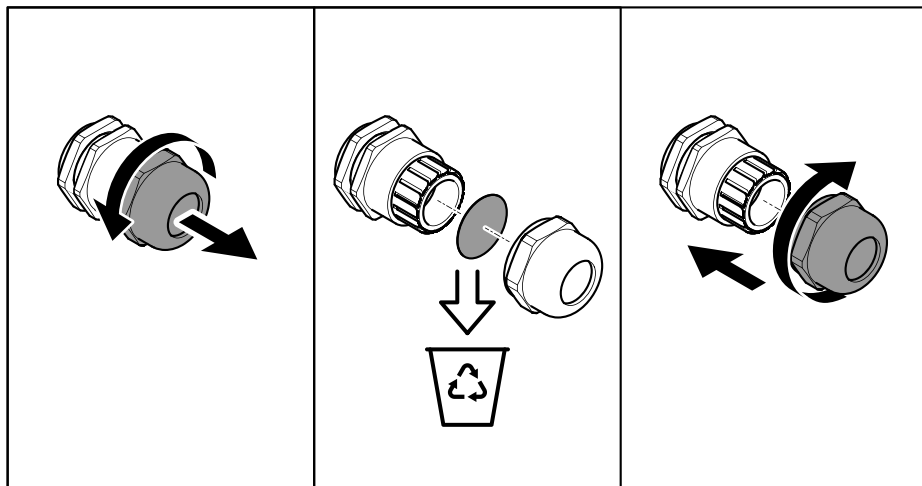
- ケーブルグランドが損傷していないことを確認します。ねじ穴、シーリングリング、Oリングシーリングを確認します。
- ダストキャップを取り外します。
- 挿入され、固定されたケーブルには、信頼性の高いストレインリリーフ/固定を保証する必要があります

設置中:

- ケーブルグランドが接続ねじ穴に完全にねじ込まれていることを確認します。
- シーリングリングとOリングシーリングが適切に密着していることを確認します。
- 指定された保護等級が守られていることを確認します。
- 緩みを防止するため、必要に応じて六角ロックナットを追加するか、適切なねじロック液を使用してください。

JA

AXIS P1468-XLE Explosion-Protected Bullet Camera (防爆型弾丸カメラ)



配線

⚠警告

操作を開始する前に、本装置を電源から切り離します。

- メンテナンスや接続を開始する前に、電圧が正しいことを確認してください。
- 本装置の電気的な設置や修理は、熟練した人が行ってください。
- アース接続フェールは、腐食を避けるために適切な材質である必要があります。
- 適切に色分けされた導体またはその他の識別手段を使用してください。アース導体は緑色と黄色である必要があります。
- 最終用途に一致する認定されたケーブル装置のみを使用してください。
- 各設置では、主な等電位ボンディング用導体は、その設置の主要なアース端子の系統外導電性部分に接続してください。補助的な電位ボンディング用導体が必要な場合は、関係する回路内の装置の露出した導電性部分と系統外導電性部分を接続する必要があります。外部ボンディングケーブルは4 mm²以上である必要があります。

AXIS P1468-XLE Explosion-Protected Bullet Camera (防爆型弾丸カメラ)

メンテナンス

本装置は修理可能な部品を含んでいません。カバーやシールは取り外さないでください。

▲警告

認定され、訓練を受けた担当者以外が修理を行うことは固く禁じられています。

- SDカードにアクセスしたり、ケーブルを接続したりするためにのみ装置を開くことができます。どのような理由があっても、装置の前面ガラスを取り外さないでください。
- 定期的なすべての取り付け具の締め具合を確認してください。
- 円滑な動作を維持するために、装置を定期的に清掃してください。水、中性洗剤、湿った布を使用してください。
- フロントガラスを引っかいたり、傷をつけたり、指紋を残したりしないように注意してください。これにより、画質が低下する可能性があります。可能であれば、設置が完了するまでフロントガラスに保護プラスチックを付けたままにしてください。
- 強力な洗剤、ガソリン、ベンジン、アセトン、同様の化学薬品は絶対に使用しないでください。

JA

バッテリー

本製品は、内部リアルタイムクロック (RTC) 用電源として、3.0V BR1632リチウムバッテリーを使用します。このバッテリーは、通常条件下で最低5年間使用できます。

バッテリーが低電力状態になると、RTCの動作に影響し、電源を入れるたびにRTCがリセットされます。バッテリーの電圧が低下すると、製品のサーバーレポートにログメッセージが表示されます。

▲注意

自分でバッテリーを交換しないでください。バッテリー交換を求めるログメッセージが表示された場合は、Axisサポートにお問い合わせください。

リチウムコイン型3.0V電池は、1,2-ジメトキシエタン (エチレングリコールジメチルエーテル (EGDME)、CAS番号110-71-4) を含有しています。

関連情報

- ユーザーマニュアルは、axis.comで入手できます。
- ご使用のデバイスの新しいファームウェアがリリースされていないかを確認するには、axis.com/supportにアクセスしてください。
- 役に立つオンライントレーニングおよびWebセミナーをご用意しております。axis.com/academyをご覧ください。

AXIS P1468-XLE Explosion-Protected Bullet Camera (防爆型弾丸カメラ)

オプションアクセサリ

本製品で利用可能なすべてのアクセサリについては、axis.comで本製品のページを開いて「ソフトウェア&アクセサリ」を参照してください。

AXIS P1468-XLE Explosion-Protected Bullet Camera (防爆型弹丸カメラ)

版本历史

版本	日期	详细信息
1.0	2022-12-15	首次发布
2.0	2023-10-10	更新了标记详细信息
3.0	2024-02-01	添加了线缆密封套安装细节
4.0	2024-06-03	更新插图并将零件编号更改为 3086318 (旧零件编号: 2939314)

使用的特定条件

警告

对于特定条件，请始终参考产品证书。

- 采取预防措施以尽量减少静电充电的风险。有关详细信息，请参见 *维护 46*。
- 设备应仅在 IEC 60664-1 中定义的至少污染等级为 2 度的区域中使用。
- 设备所承受的冲击能量不得超过 2 焦耳（对窗户）和 4 焦耳（对身体其他部位）。
- 产品的方向必须符合安装说明。该设备周围的灰尘不得超出表面可保留的灰尘。
- 应提供瞬态保护，其设置水平不超过设备电源端子处峰值额定电压值的 140%
- 设备的可拆卸金属部件的电容为 85.4 pF，在特定应用中应考虑该因素。

ZH

安装

警告

安装和维护都必须按照当地和国家标准及惯例（例如，国家电气代码）、NFPA70（国家电气规范）、CSA C22.1（加拿大电气代码、适用于电气安装的部分 I 安全标准）进行，iec/EN 60079-14（爆炸性环境-电气安装设计、选择和 erection）和 IEC/EN 60079-17（爆炸式环境）。电气安装检查和维护）。

- 安装人员必须符合附加的技术数据。
- 确保针对环境和安装要求批准和认证项目。检查等级标签，以确保设备在正确的环境温度和环境条件下使用且电源适合。
- 必须将设备安装在海平面以上 $\leq 2\,000$ m。
- 电缆入口点可达到 81.1°C 的温度。对终端应用使用合适的电缆。
- 不允许修改设备或对设备设计进行改动。
- 必须遵守安全规则和国家/地区规定。

AXIS P1468-XLE Explosion-Protected Bullet Camera (防爆型弹丸カメラ)

- 切勿将设备安装在可能超出周边温度范围的区域。
- 侵蚀性物质可能需要额外的保护。
- 如果设备暴露在过多的外部压力下（振动、发热或影响），则必须采用额外的保护方法来保护设备。
- 如果未以制造商指定的方式使用设备，则可能会削弱设备的保护。传入电缆必须符合国家/地区标准。
- 如果重新安装了设备或重新连接了传入电缆，则必须使用新的索眼。索眼的橡胶必须是全新的，并且索眼必须是之前未使用过的。
- 更换部件只能使用 Axis Ex AB 指定的组件部件进行安装。
- 安装时必须严格固定支架。必须使用适当的螺丝。有关重量的信息，请参见设备数据表。
- 根据 IEC/EN/UL 60079-14 和 IEC/EN/UL 60079-17 在适当的环境中进行安装。
- 连接时，电源连接器必须用胶水粘附。在插头连接器上涂上胶水。

制造商	胶水类型	胶粘剂的温度范围
大猩猩胶水	大猩猩超级胶水	-55° C 到 100° C
汉高	乐泰 402	-40° C 到 135° C
宽固	宽固 801	-55° C 到 130° C
宽固	宽固 802	-55° C 到 160° C
宽固	宽固 820	-55° C 到 200° C

线缆密封套

为了满足 JPEX 认证，该设备必须安装设备附带的指定线缆密封套。

制造商	Jacob GmbH
螺纹类型	M20x1.5
型号名称	K100-1020-00-EX
防爆标志	Ex eb IIC Gb Ex tb IIIC Db
IECEX 证书编号	IECEX BVS 17.0101X
防护等级符合 EN/IEC 60529	IP66/IP68 (10 巴, 30 分钟) *
工作温度	-40 ° C 到 +85 ° C

AXIS P1468-XLE Explosion-Protected Bullet Camera (防爆型弹丸カメラ)

材料	黄铜镀镍 丁腈橡胶 NBR
电缆直径	8–13 毫米
安装此设备时需考虑的具体使用条件	根据 IEC 60079–0 的条款 A.3.1，使用减小的拉力 (25%) 对线缆密封套进行测试。只能用于 II 类和 III 类设备的固定安装。用户应确保电缆被充分夹紧。

* 设备的入口保护不依赖于线缆密封套。相反，它是由设备内部的电缆索环提供的。

线缆密封套安装

⚠ 警告

由于修改或改变而造成的危险！ 防爆危险！

线缆密封套不得修改或更改。

安装前：

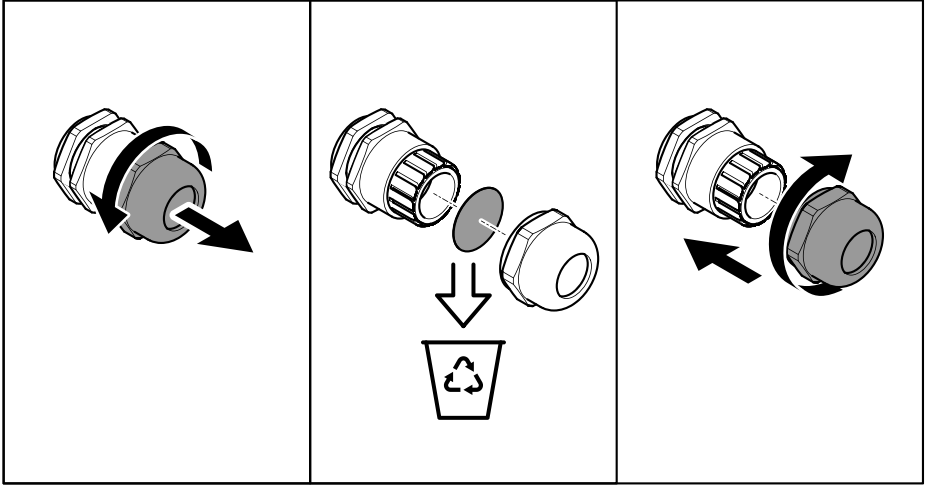
- 确保线缆密封套未损坏。检查螺纹、密封圈和 O 形圈密封。
- 取下防尘盖。
- 必须保证插入和固定安装的电缆具有额外的可靠应力消除/锚固。

安装过程中：

- 确保线缆密封套已完全拧入连接螺纹中。
- 确保密封圈和 O 形圈密封件正确就位。
- 确保保持指定的防护等级。
- 为防止松动，如有必要，请使用额外的六角锁紧螺母或合适的螺纹锁紧液。

ZH

AXIS P1468-XLE Explosion-Protected Bullet Camera (防爆型弹丸カメラ)



接线

⚠警告

在开始操作之前，请断开设备与电源的连接。

- 在开始维护或连接之前，请确保电压正确。
- 设备必须由训练有素的人在电气上安装并提供服务。
- 为了避免防腐蚀，接地连接套圈应为适合的材料。
- 使用适当的颜色编码导线或其他识别方式。接地导线应呈绿色和黄色。
- 仅使用与终端应用匹配的已认证电缆设备。
- 在每个安装中，主等电位连接导体应连接到该装置的主接地端子外部导电部件。如果需要补充等电位连接，则应将相关电路中设备的外露导电部件和外部导电部件连接在一起。外部连接电缆应至少为 4 毫米²。

维护

设备不包含服务性部件。不应移除盖板或封条。

⚠警告

严格禁止除批准和培训的人员以外人员进行的维修企图。

AXIS P1468-XLE Explosion-Protected Bullet Camera (防爆型弹丸カメラ)

- 您只能打开设备插拔 SD 卡和连接电缆。请勿出于各种原因移除设备的前端玻璃。
- 定期检查安装的扣具是否达到牢固度。
- 要保持流畅的操作，请定期清理设备。使用水、轻度洗涤剂 and 湿布。
- 小心不要划伤、损坏或在前端玻璃上留下指纹。这可能会降低图像质量。如果可能，请保留前端玻璃上的保护塑料，直至安装完成。
- 切勿使用带有刺鼻气味的洗涤剂、汽油、苯、丙酮或类似化学品。

电池

安讯士产品使用 3.0 V BR1632 锂电池作为其内部实时时钟 (RTC) 的电源。在正常情况下，此电池将持续至少五年。

蓄电池电量过低会影响实时时钟的运行，从而导致实时时钟在每次上电时重置。当电池电压较低时，产品的服务器报告中将显示一条日志消息。

⚠ 警示

请勿自行更换电池。如果日志消息要求更换电池，请联系安讯士支持部门。

3.0 V 纽扣锂电池内含 1,2-二甲氧基乙烷；乙二醇二甲醚 (EGDME)，CAS 编号为 110-71-4。

更多信息

- 用户手册可从 axis.com 获取
- 要检查是否有设备的可用更新固件，请参见 axis.com/support
- 如需有用的在线培训和在线研讨会，请参见 axis.com/academy

可选附件

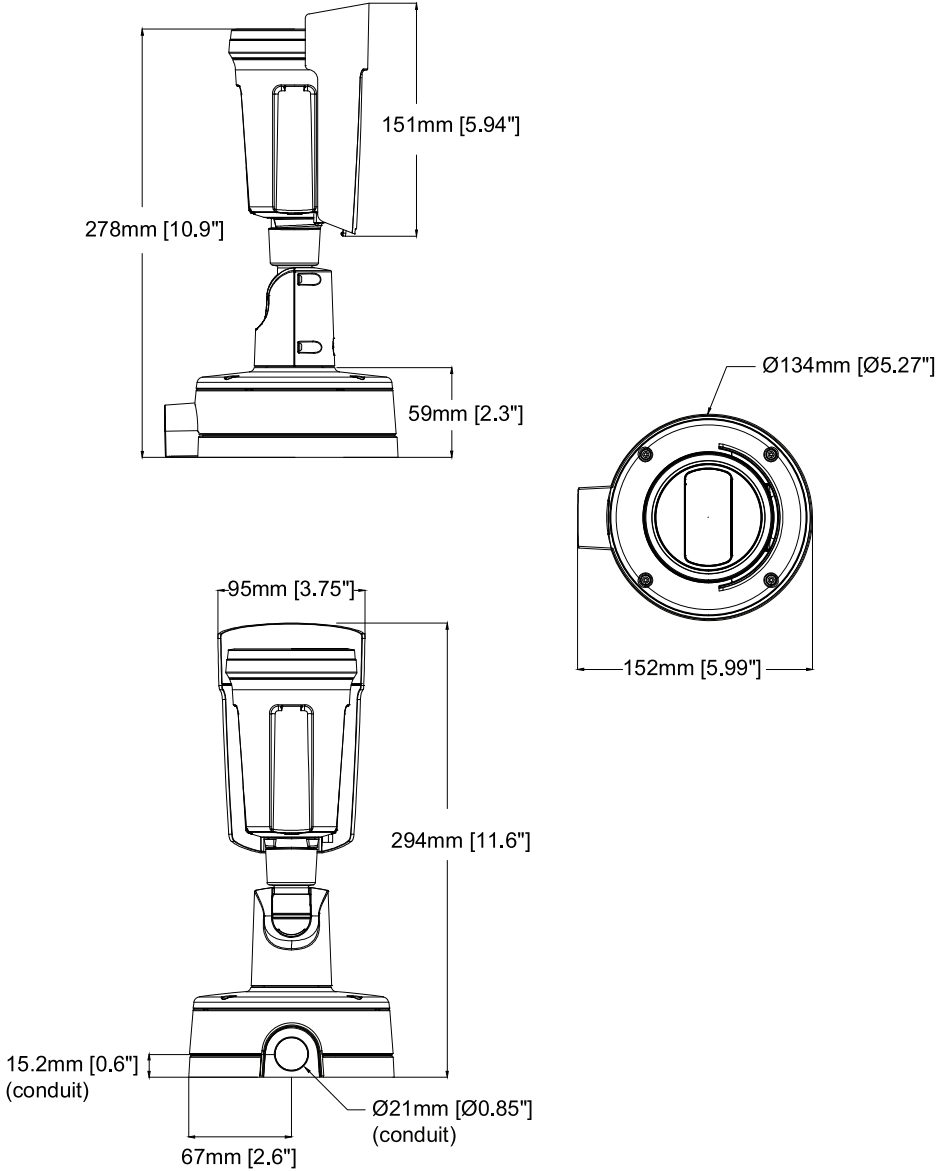
欲查看本产品可用附件的完整列表，请转到 axis.com 上的产品页并选择“软件和附件”。

ZH

AXIS P1468-XLE Explosion-Protected Bullet Camera (防爆型弾丸カメラ)

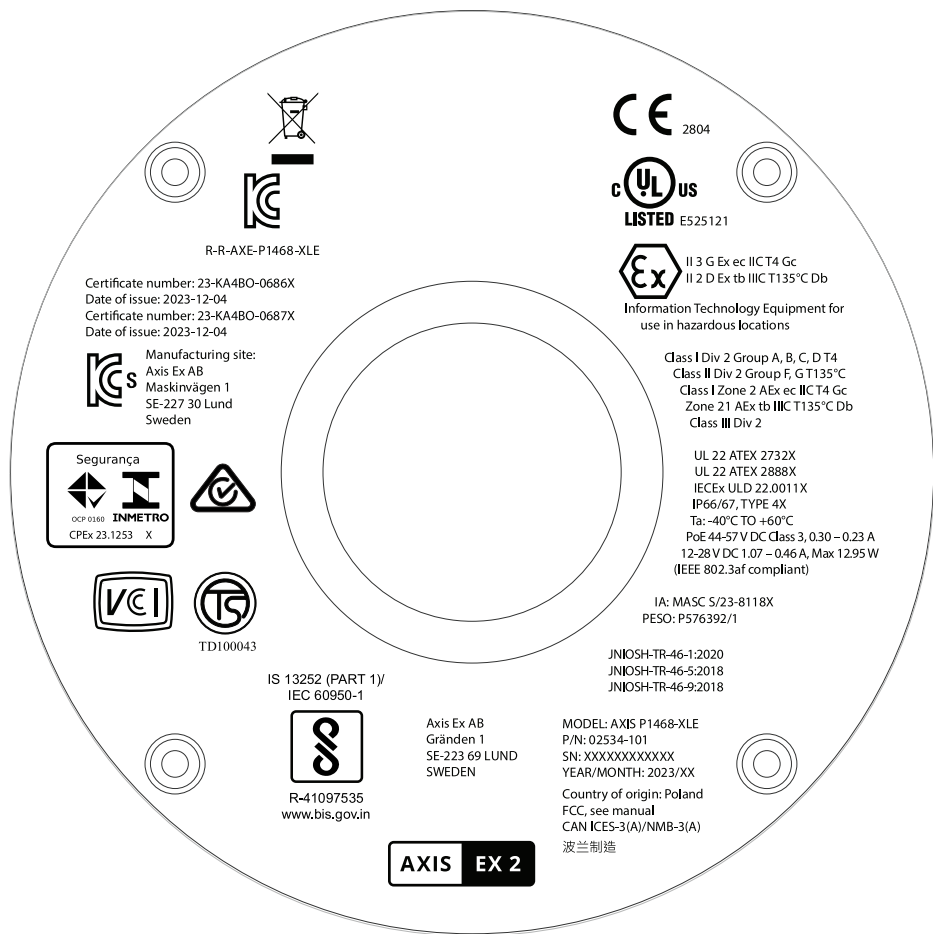
Specifications

Dimensions



AXIS P1468-XLE Explosion-Protected Bullet Camera (防爆型弾丸カメラ)

Markings



EN



CAUTION:
HOT SURFACE
DO NOT TOUCH
ATTENTION:
SURFACE CHAUDE
NE PAS TOUCHER

ATENÇÃO:
SUPERFÍCIE QUENTE
NÃO TOQUE
注意:
熱い表面。
手を触れないでください。

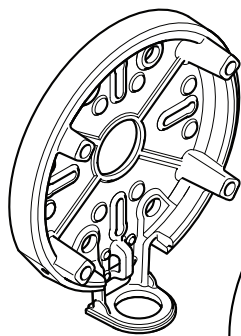
WARNING
POTENTIAL ELECTROSTATIC CHARGING
HAZARD – SEE INSTRUCTIONS.
DO NOT OPERATE WHEN AN EXPLOSIVE
ATMOSPHERE IS PRESENT.
SPECIFIC CONDITIONS OF USE – SEE
INSTRUCTIONS.

AVERTISSEMENT
RISQUE POTENTIEL DE CHARGE
ELECTROSTATIQUE – VOIR LES INSTRUCTIONS.
NE PAS OUVRIR LORSQU'UNE ATMOSPHERE
EXPLOSIVE EST PRESENTE.
CONDITIONS D'UTILISATION SPECIFIQUES –
VOIR LES INSTRUCTIONS.

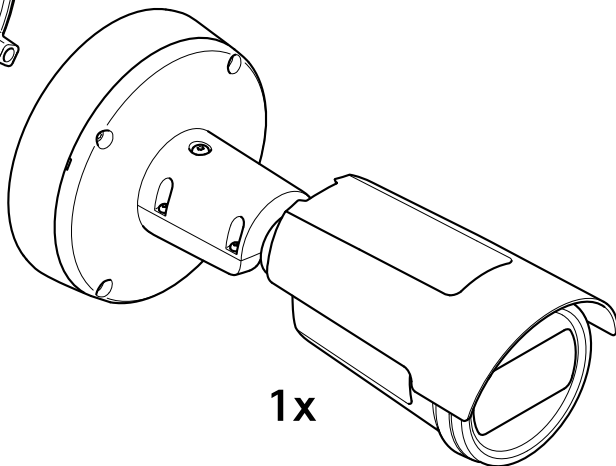
ATENÇÃO
NÃO ABRA QUANDO UMA ATMOSFERA
EXPLOSIVA ESTIVER PRESENTE.
O EQUIPAMENTO POSSUI CONDIÇÕES DE
ESPECÍFICAS DE UTILIZAÇÃO SEGURA.
VER AS INSTRUÇÕES.
POTENCIAL RISCO DE CARGA ELETROSTÁTICA.
VER INSTRUÇÕES.

警告
静電気による帯電の危険性が
あり得ます – 説明書を参照して
ください。
爆発性雰囲気が存在する
ときは開かないでください。
特定の使用条件 – 説明書を参
照してください。

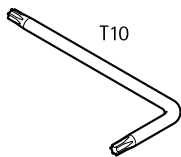
AXIS P1468-XLE Explosion-Protected Bullet Camera (防爆型弾丸カメラ)



1x

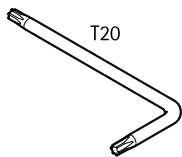


1x



T10

1x



T20

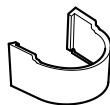
1x



1x



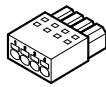
1x



1x



1x



1x

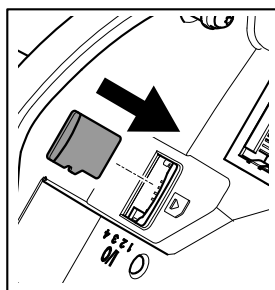
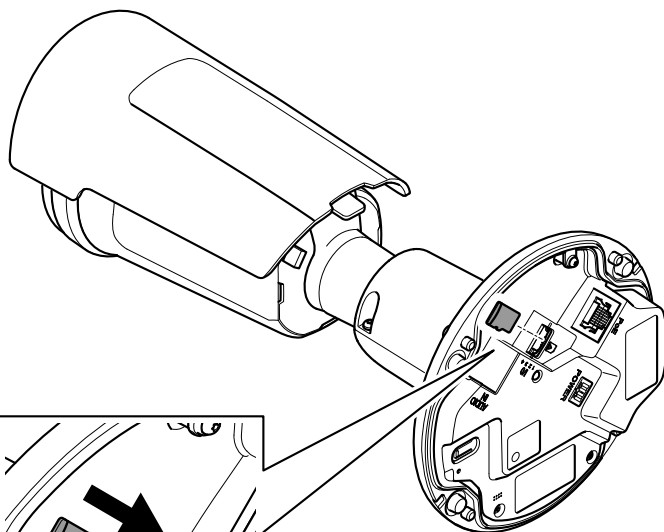


2x

AXIS P1468-XLE Explosion-Protected Bullet Camera (防爆型弾丸カメラ)

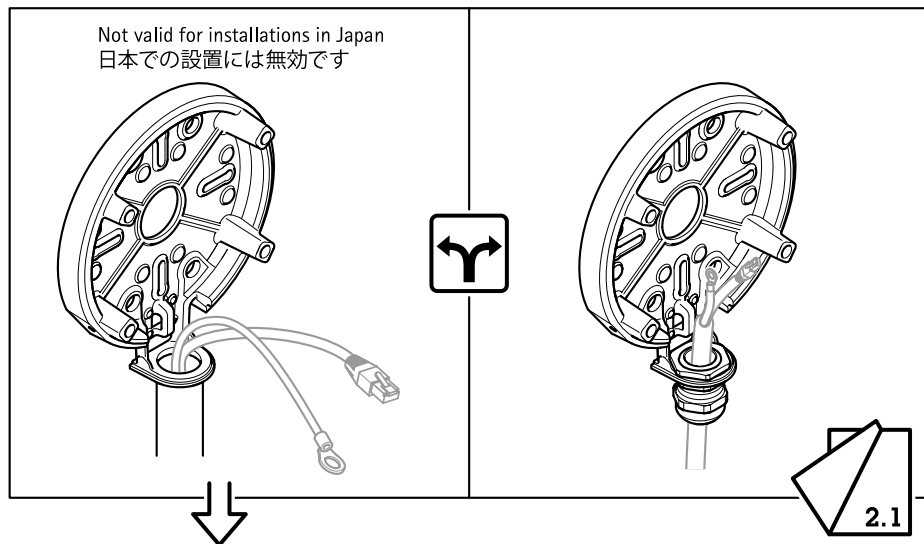


microSD
microSDHC
microSDXC

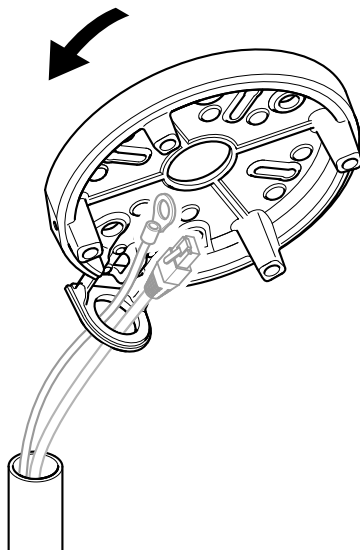


EN

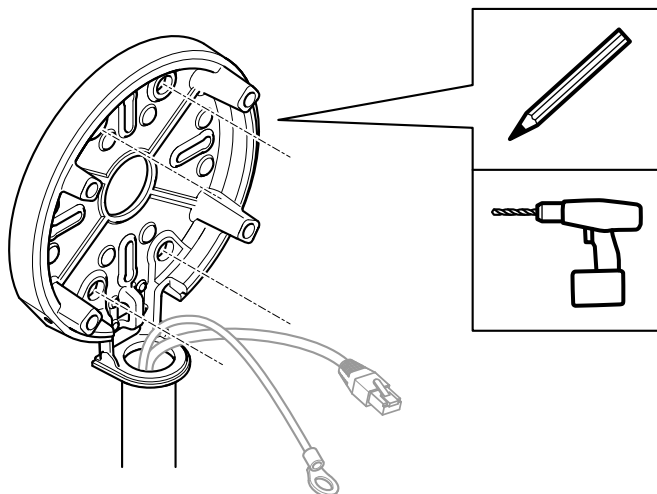
AXIS P1468-XLE Explosion-Protected Bullet Camera (防爆型弾丸カメラ)



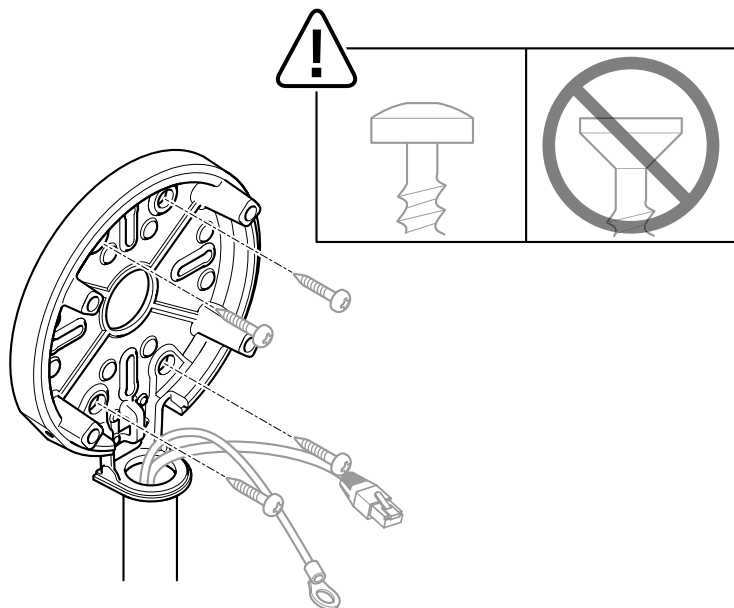
1.1



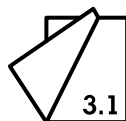
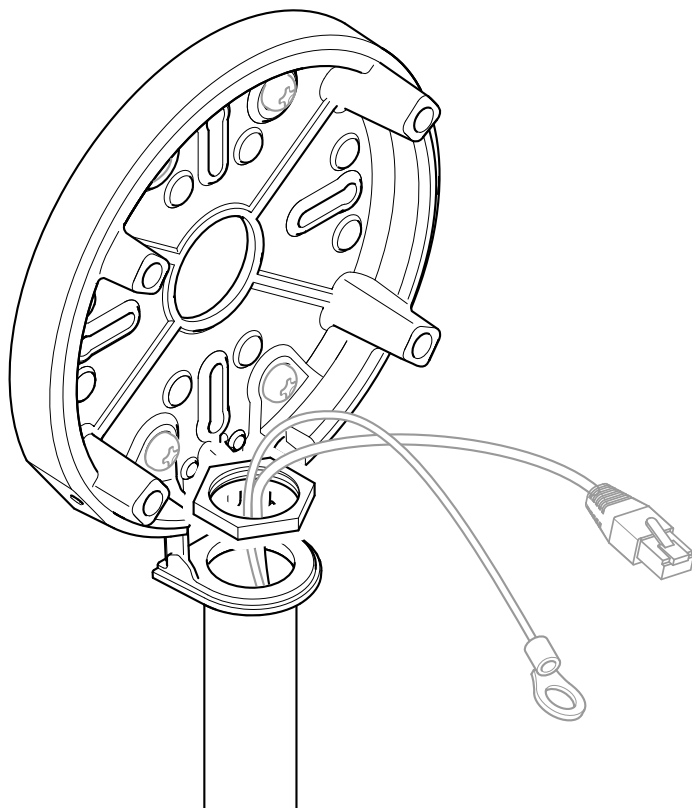
1.2



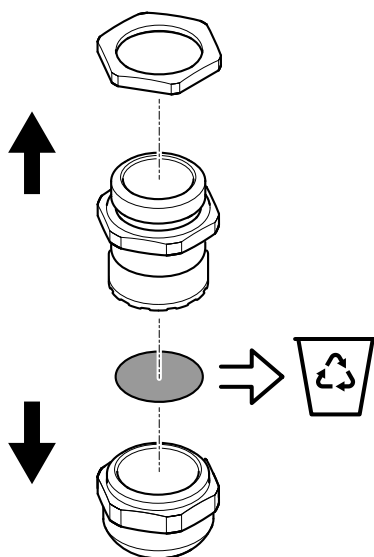
1.3



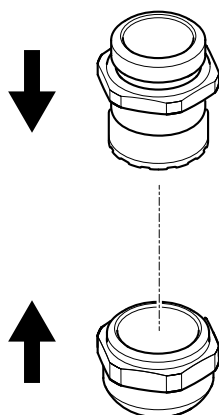
1.4



2.1

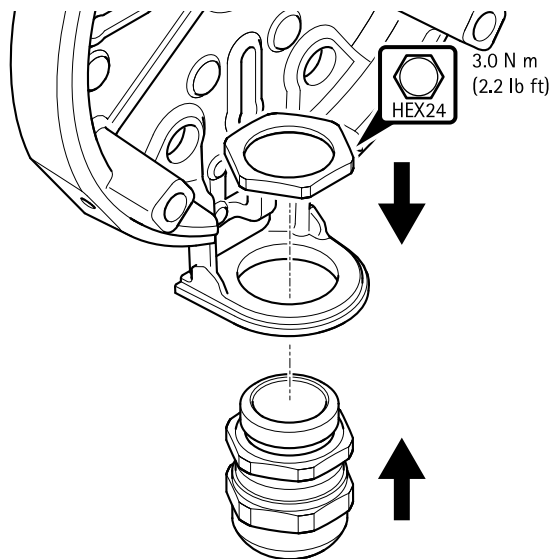


2.2

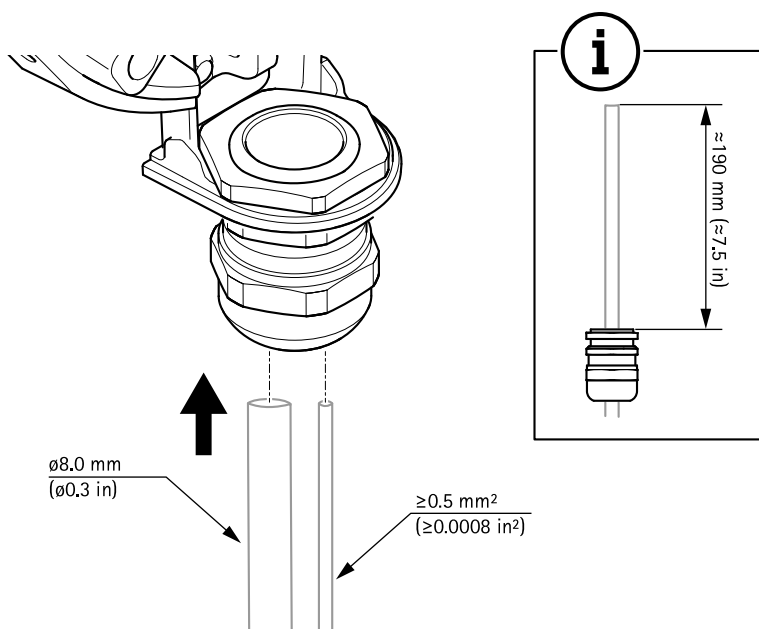


AXIS P1468-XLE Explosion-Protected Bullet Camera (防爆型弾丸カメラ)

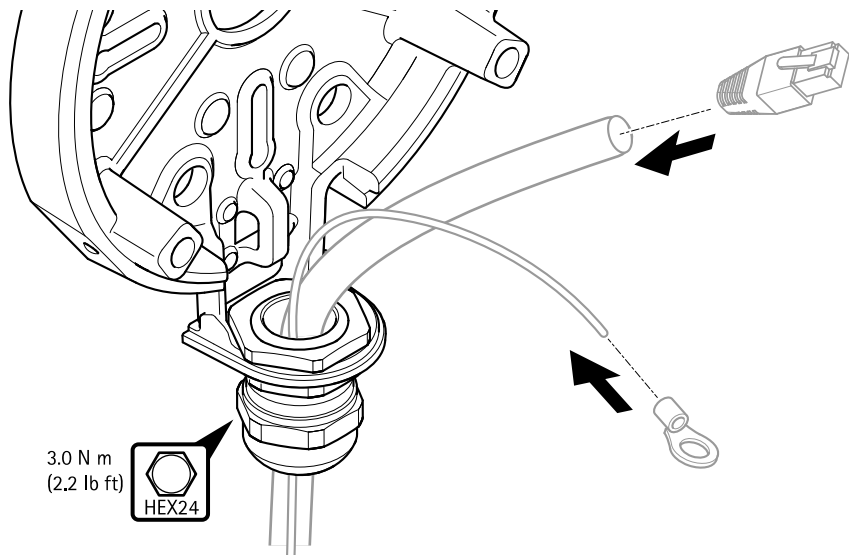
2.3



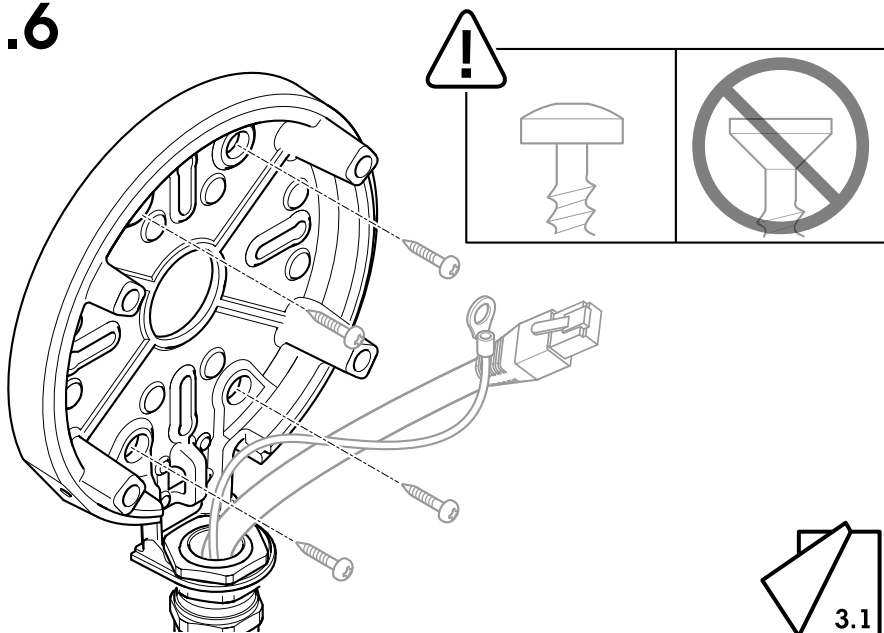
2.4



2.5

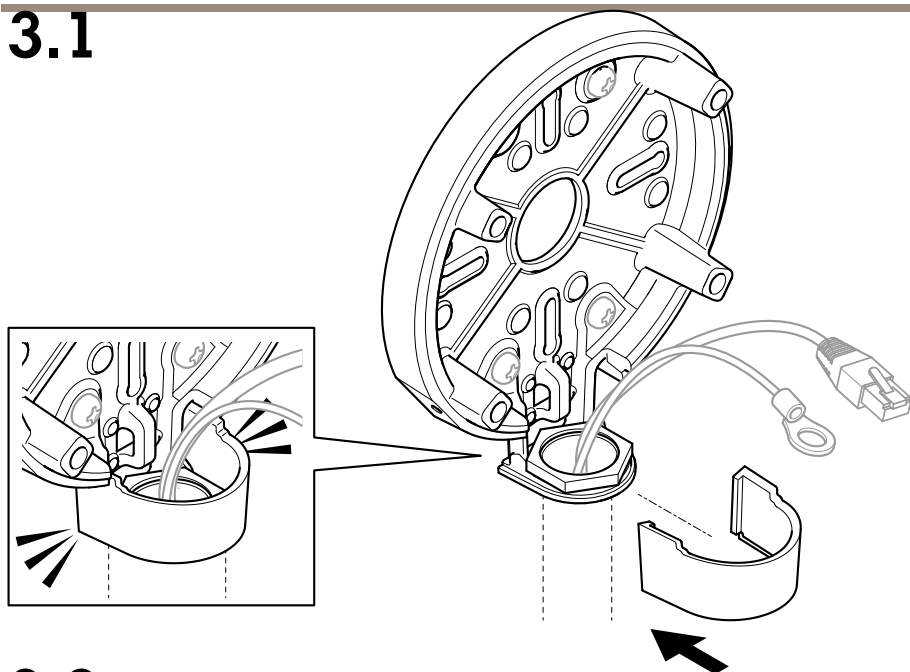


2.6

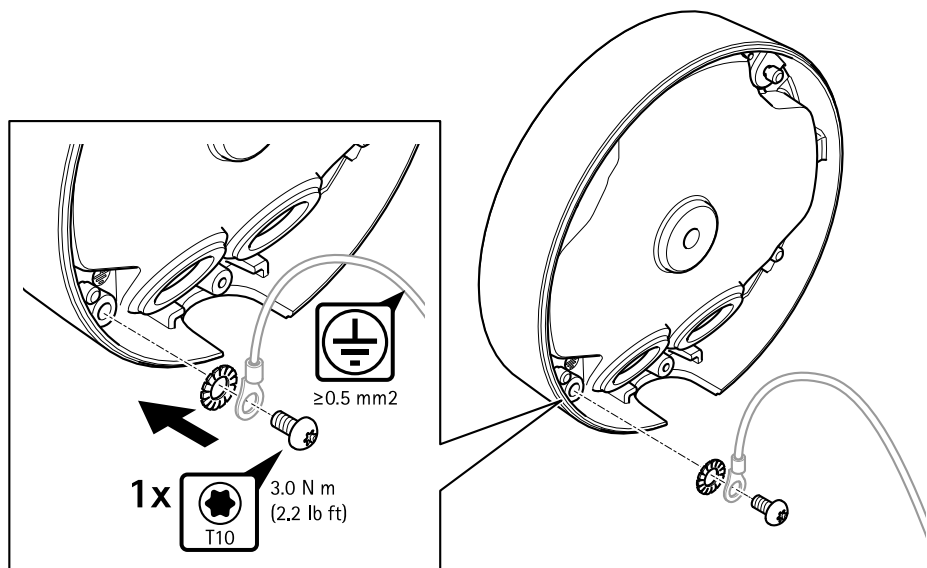


AXIS P1468-XLE Explosion-Protected Bullet Camera (防爆型弾丸カメラ)

3.1

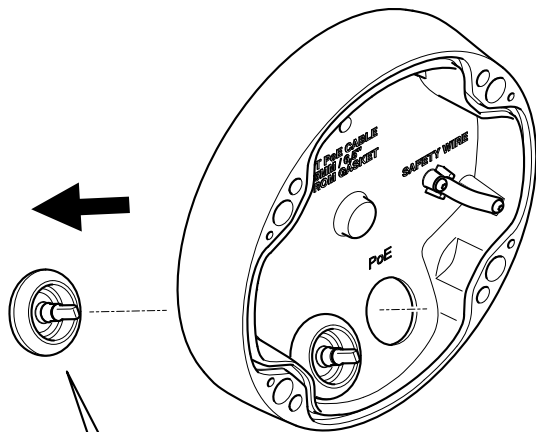


3.2

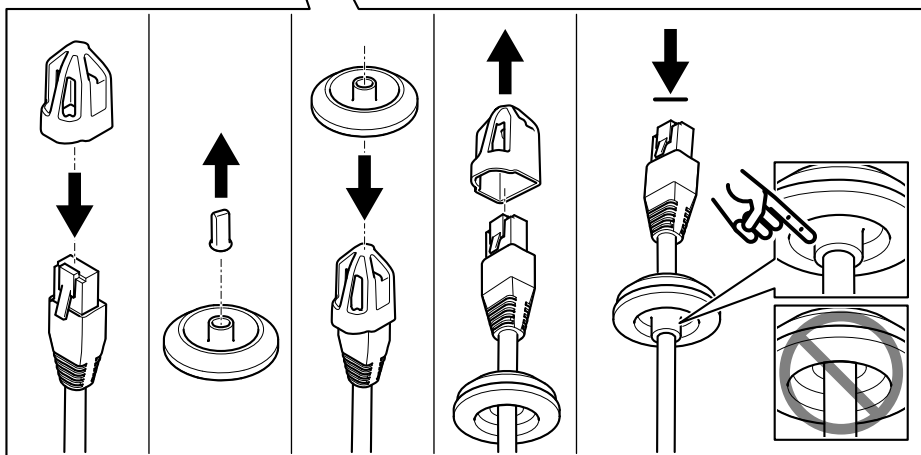


AXIS P1468-XLE Explosion-Protected Bullet Camera (防爆型弾丸カメラ)

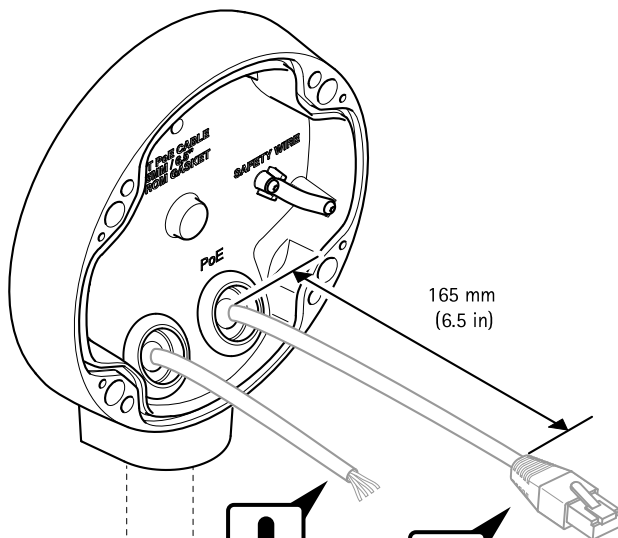
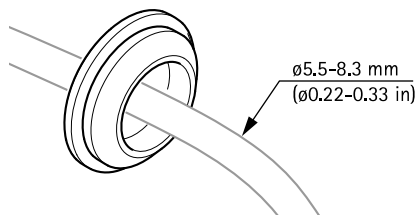
3.3



EN



AXIS P1468-XLE Explosion-Protected Bullet Camera (防爆型弾丸カメラ)

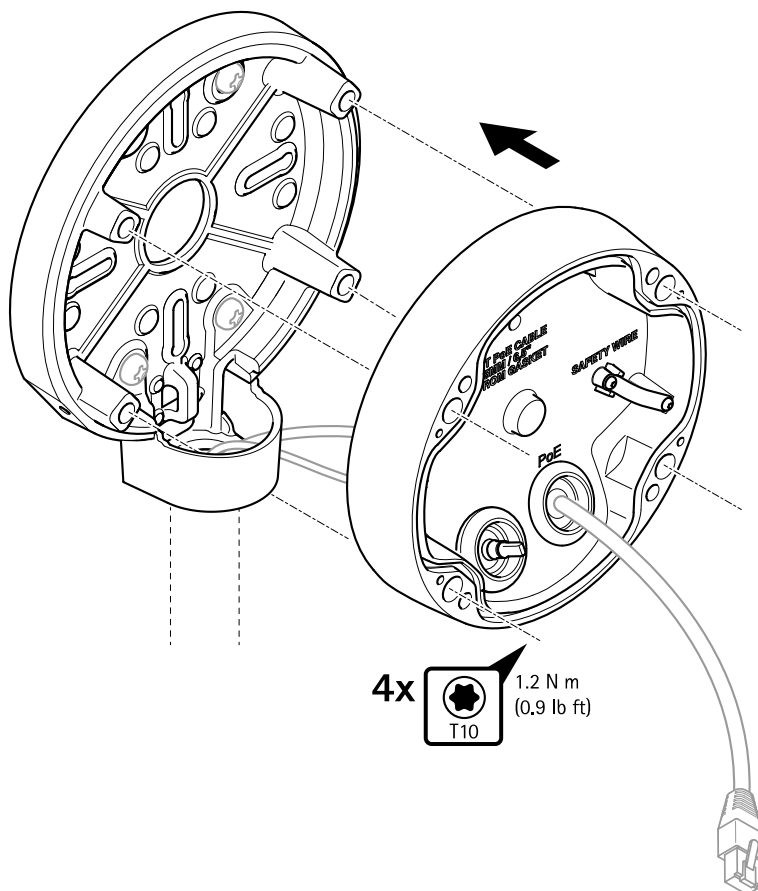


12 V DC



AXIS P1468-XLE Explosion-Protected Bullet Camera (防爆型弾丸カメラ)

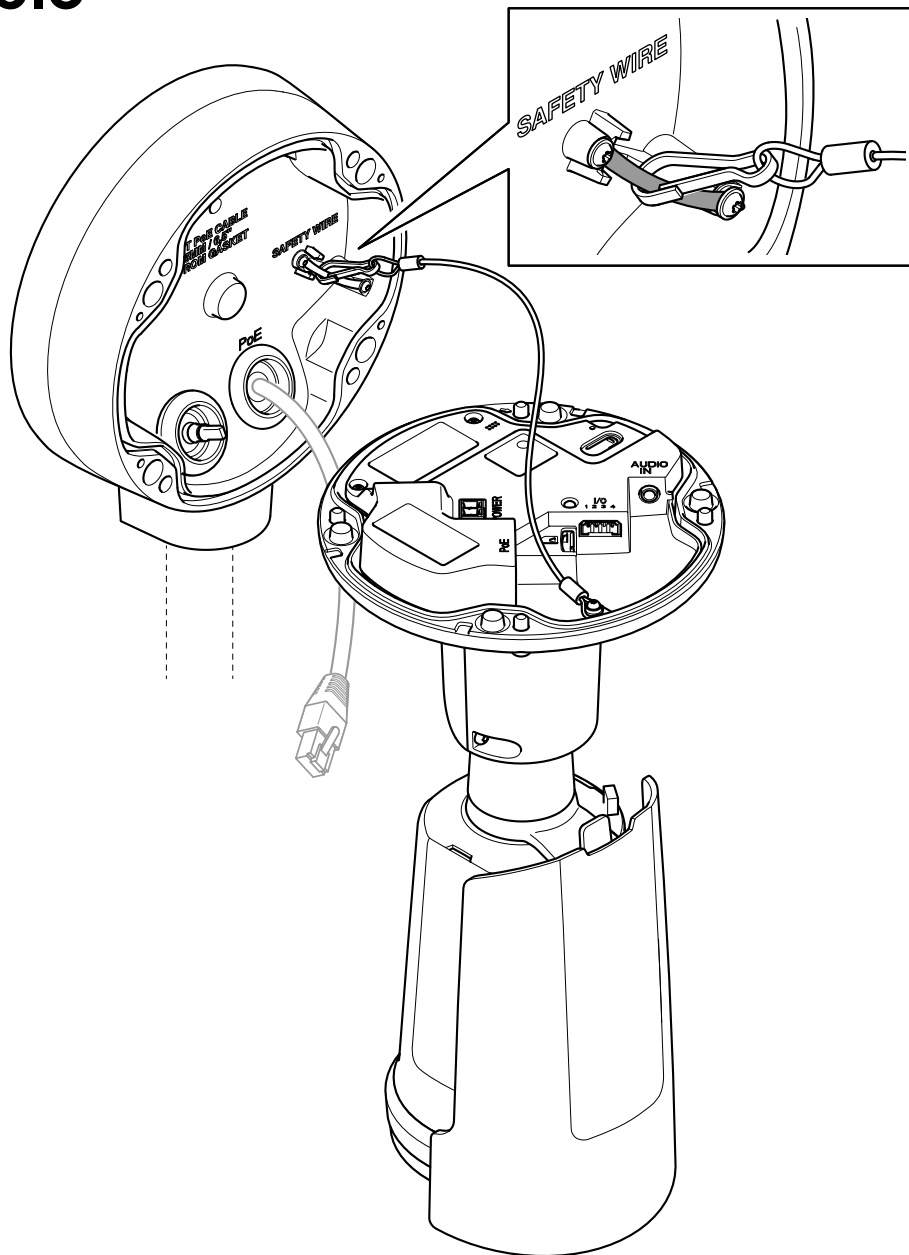
3.4



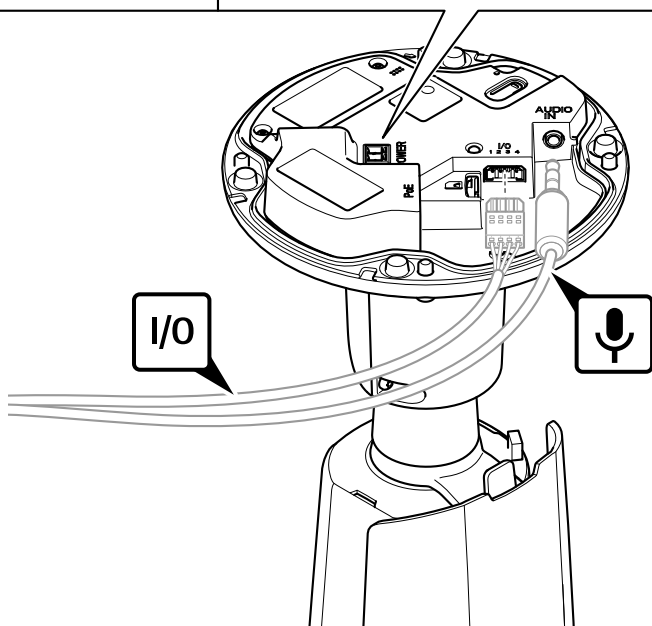
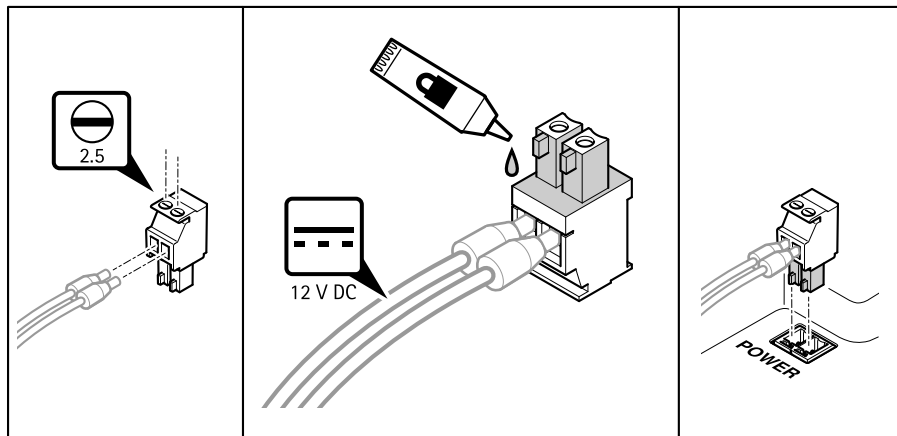
EN

AXIS P1468-XLE Explosion-Protected Bullet Camera (防爆型弾丸カメラ)

3.5



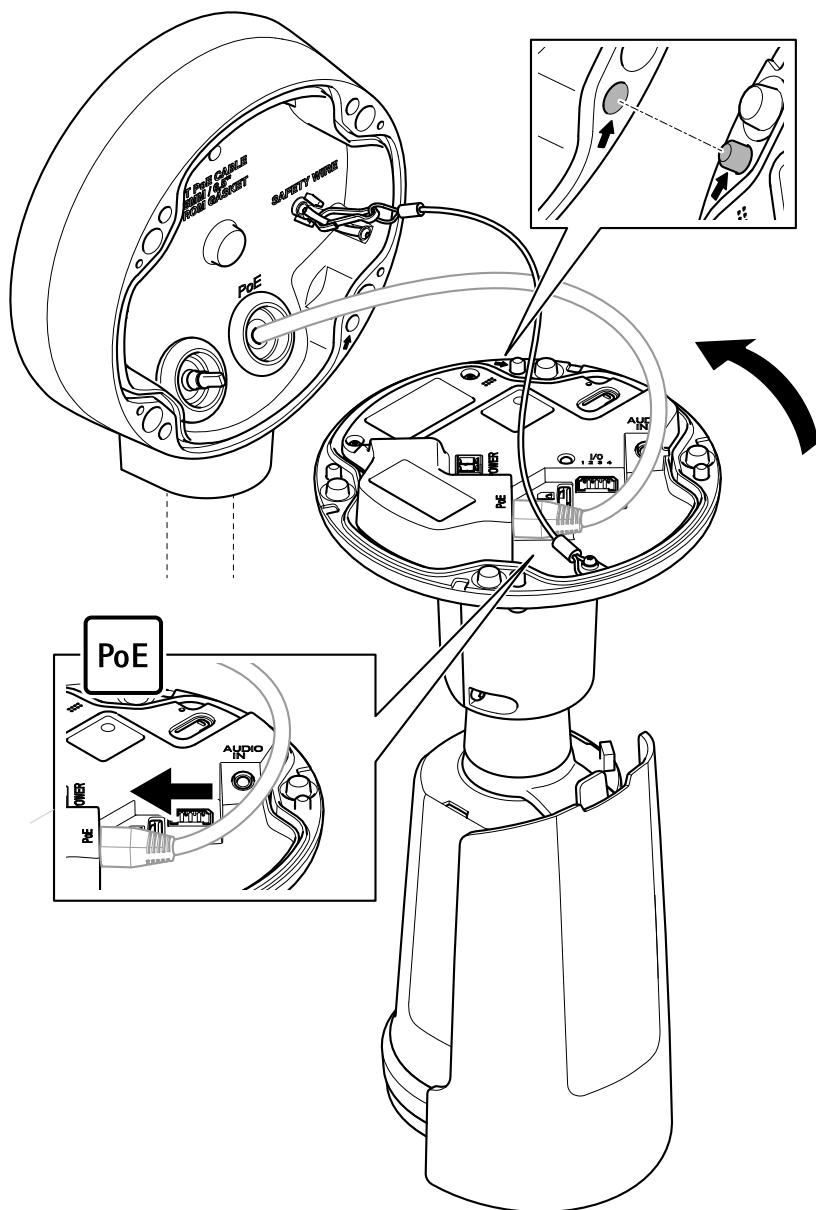
AXIS P1468-XLE Explosion-Protected Bullet Camera (防爆型弾丸カメラ)



EN

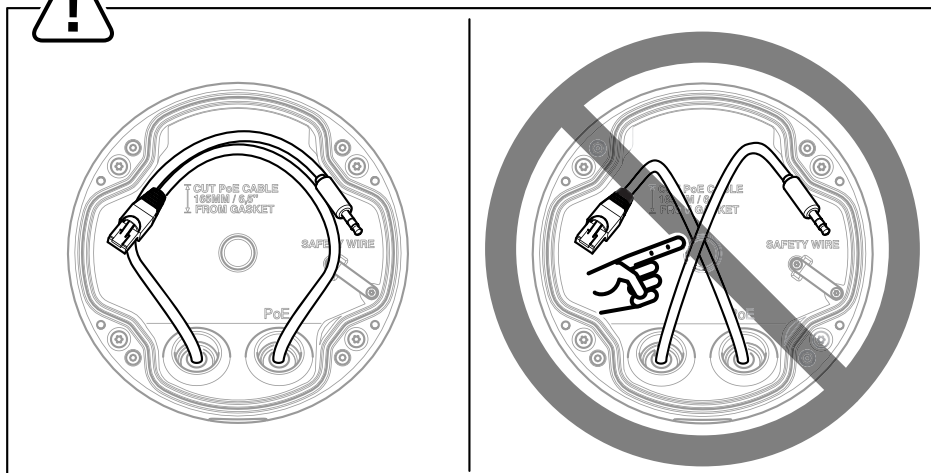
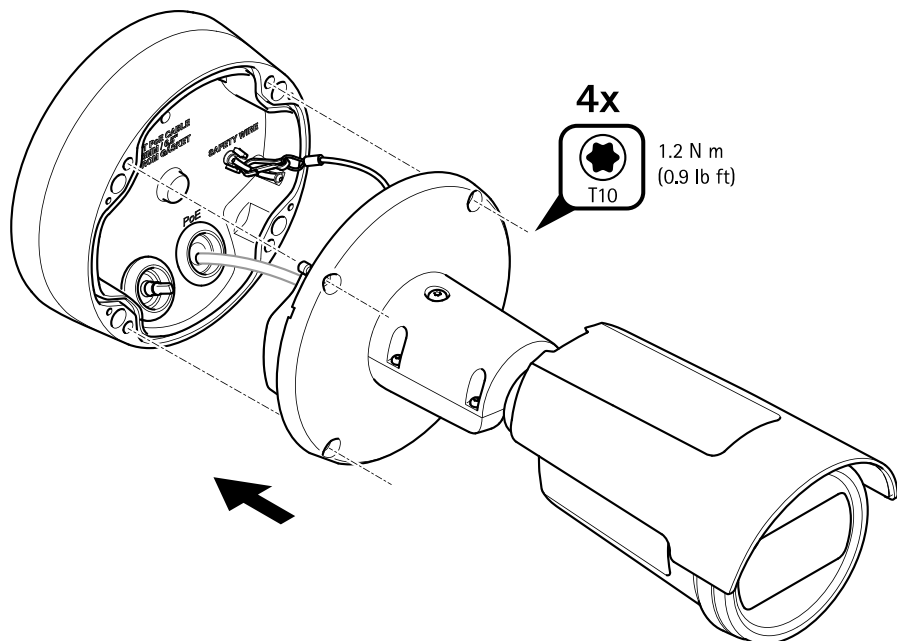
AXIS P1468-XLE Explosion-Protected Bullet Camera (防爆型弾丸カメラ)

3.6

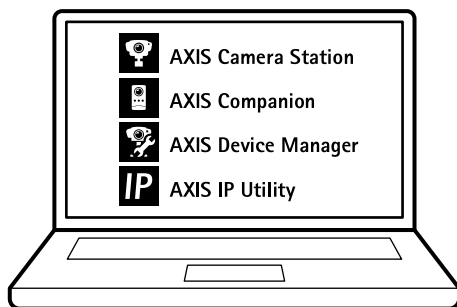


AXIS P1468-XLE Explosion-Protected Bullet Camera (防爆型弾丸カメラ)

3.6

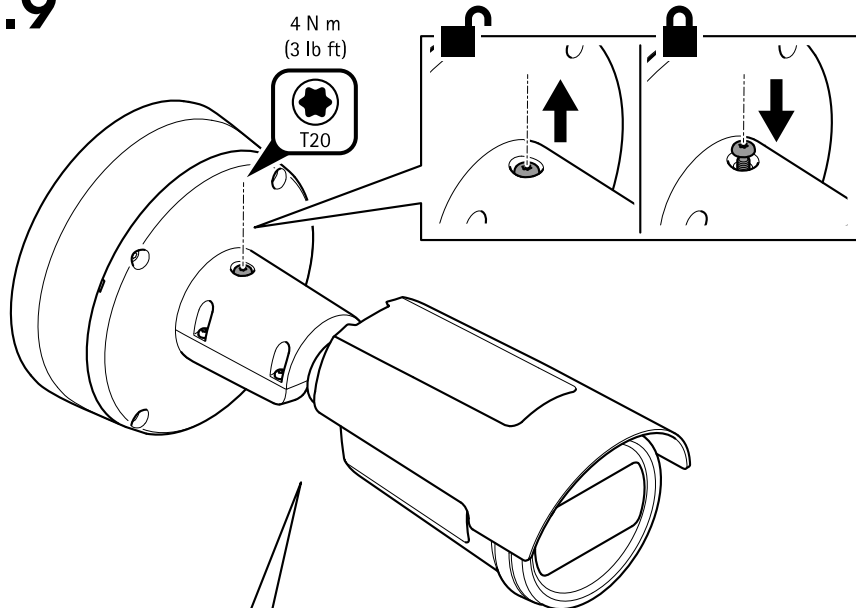


3.8

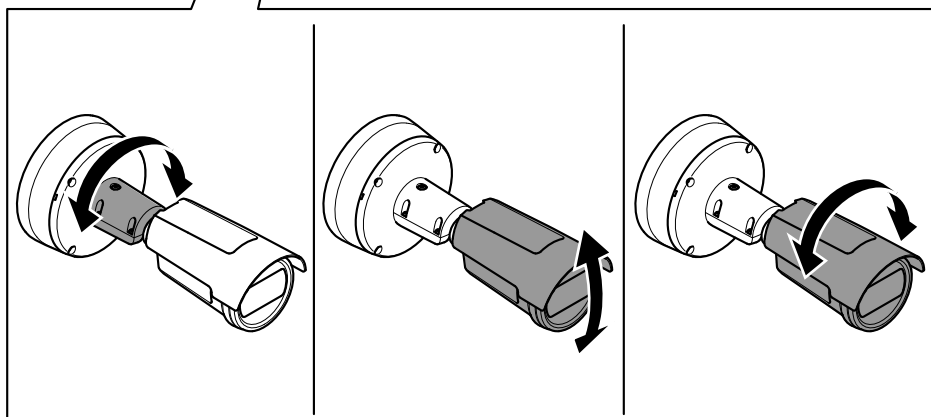


AXIS P1468-XLE Explosion-Protected Bullet Camera (防爆型弾丸カメラ)

3.9

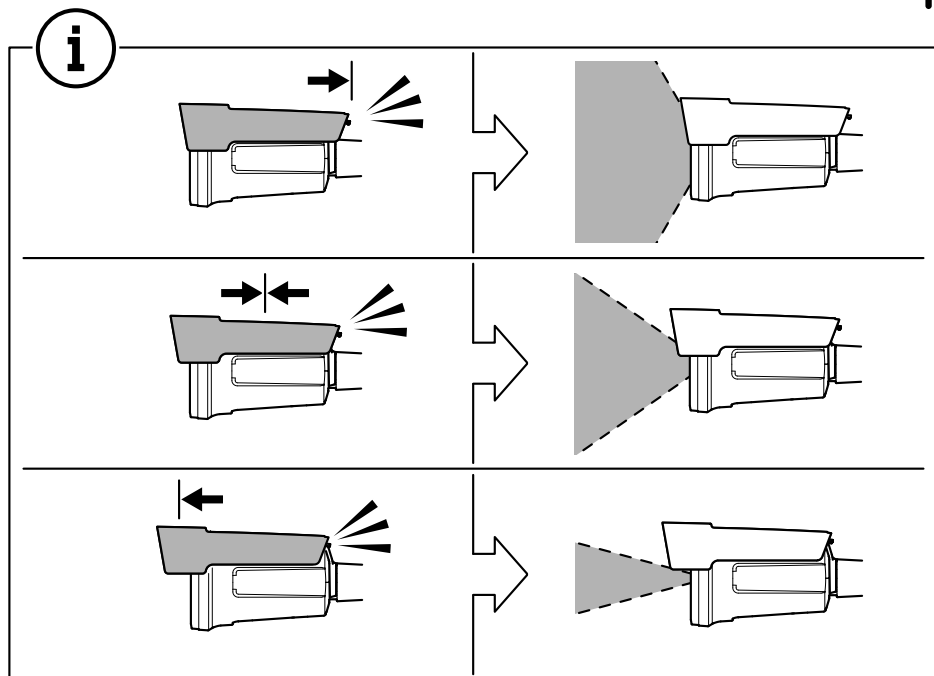
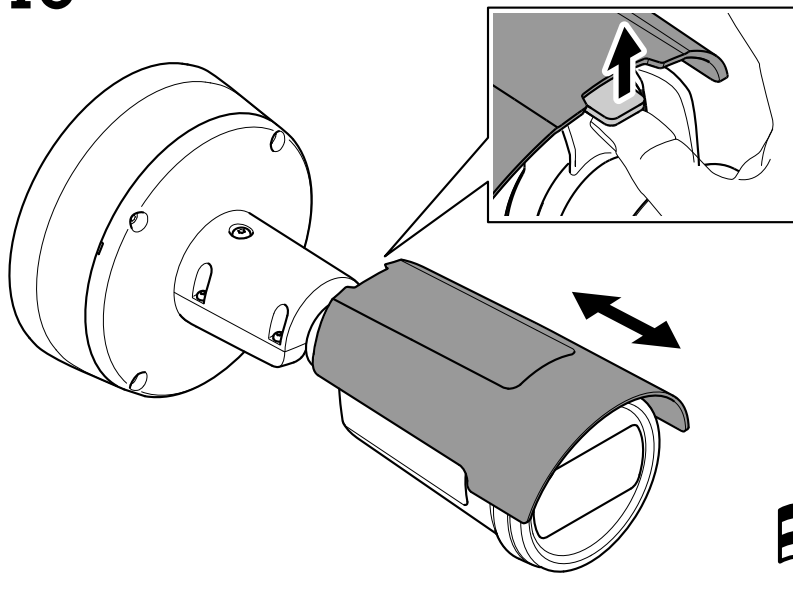


EN



AXIS P1468-XLE Explosion-Protected Bullet Camera (防爆型弾丸カメラ)

3.10





Installation guide (インストールガイド)

AXIS P1468-XLE Explosion-Protected Bullet Camera (防爆型弾丸カメラ)

© 2022 - 2024 Axis Communications AB

Ver. M10.2

Date: August 2024

Part no. 3086318