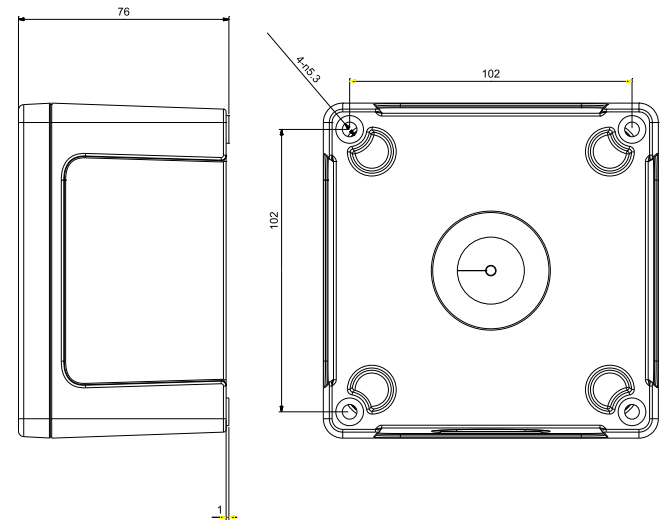
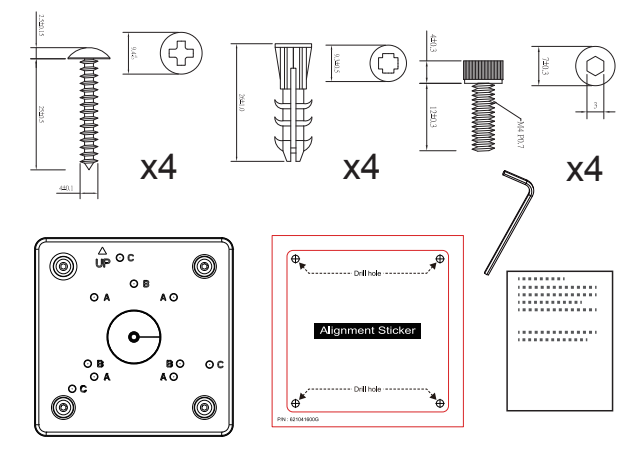


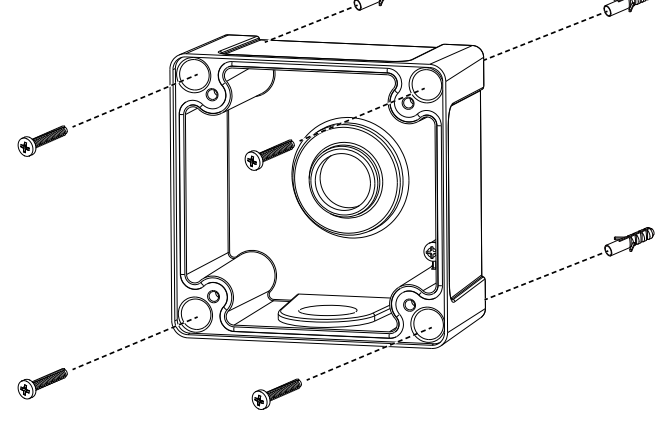
Mounting Dimensions



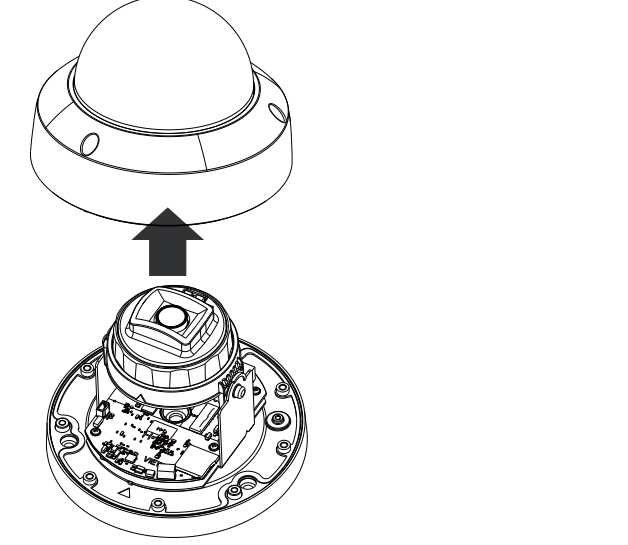
Package Contents



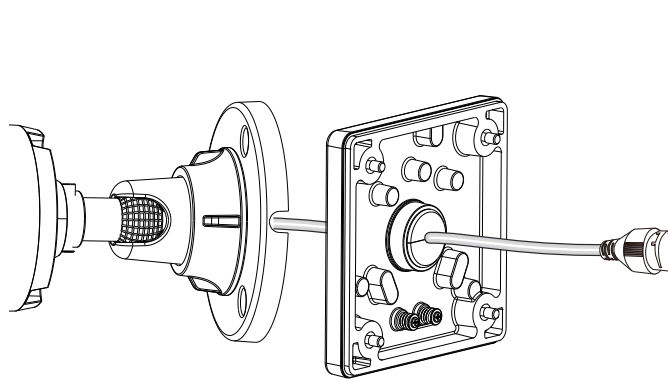
**3** Attach the included alignment sticker to a preferred position. Drill holes on the wall and install the junction box. If space behind the wall allows, you may also pass cables through the wall.



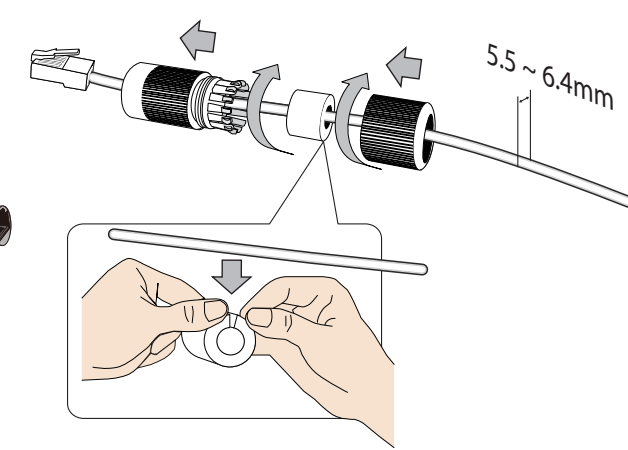
**4** Loosen and remove the camera top cover if applicable. (Using one of the supported cameras as an example)



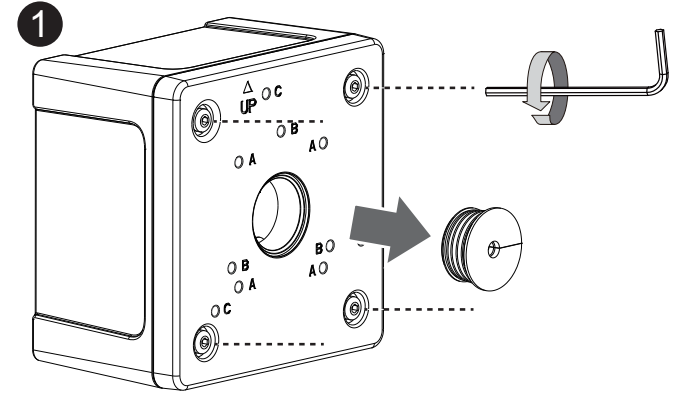
**5** Pass the camera's Ethernet cable through the center hole of the box and the rubber seal.



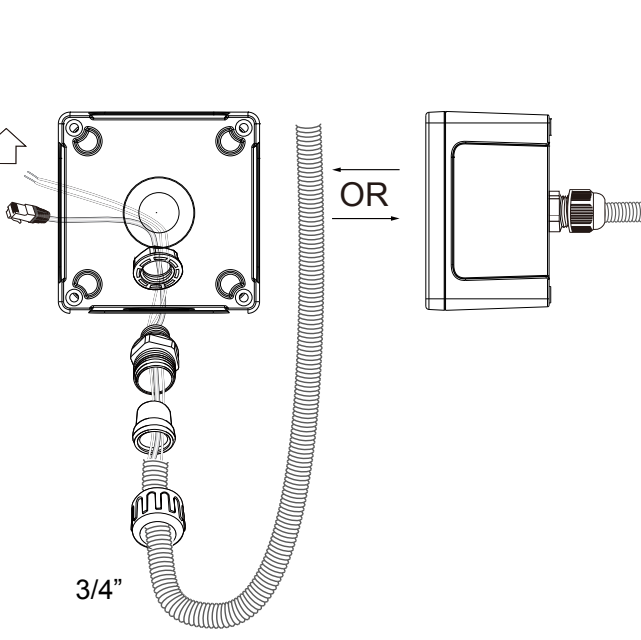
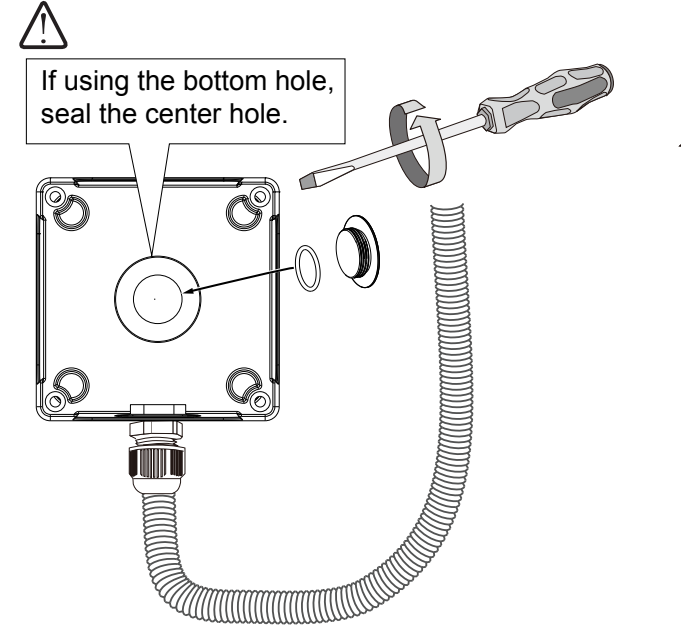
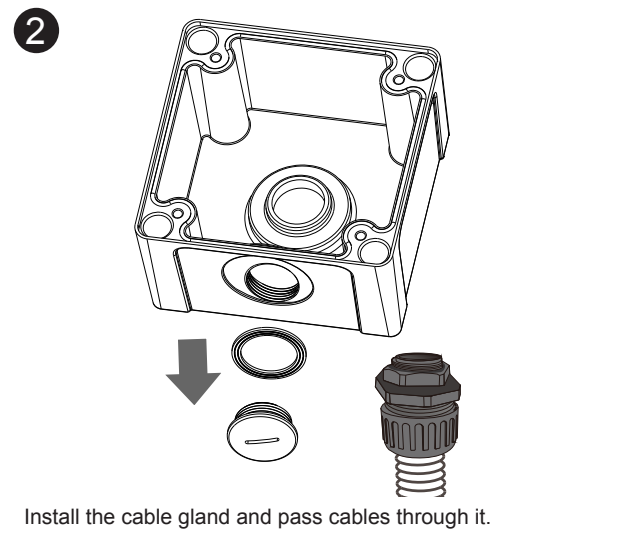
**6** Install the waterproof components of the cable gland to your Ethernet cable following the QIG of your camera. The cable gland will be placed within the protection of the box.



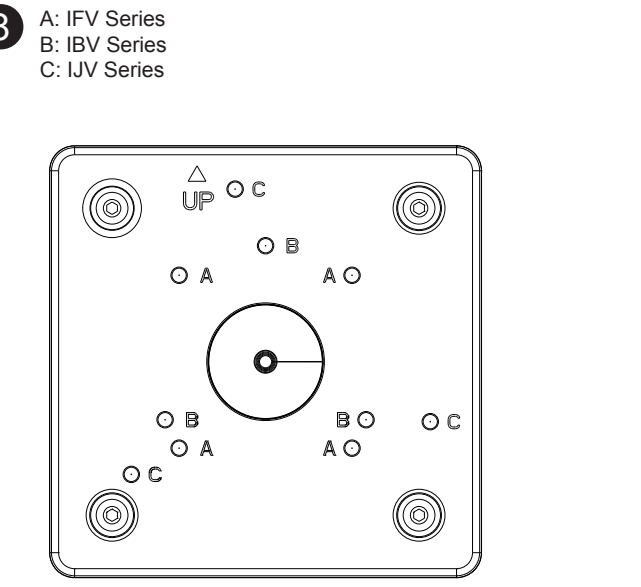
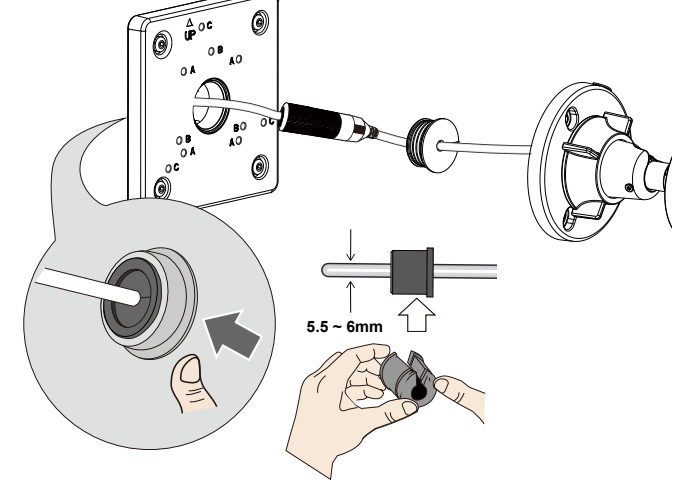
Installation  
 Remove the top cover and unhook the tether wire.



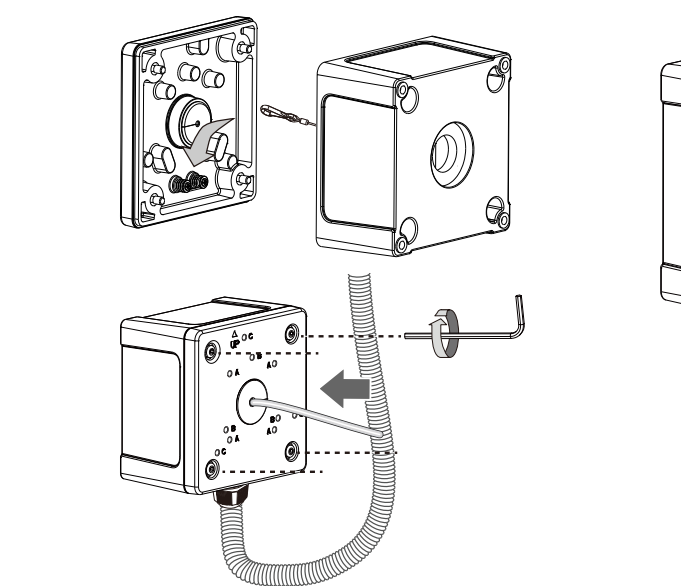
A 3/4" conduit is required for routing the cables with waterproof connection.



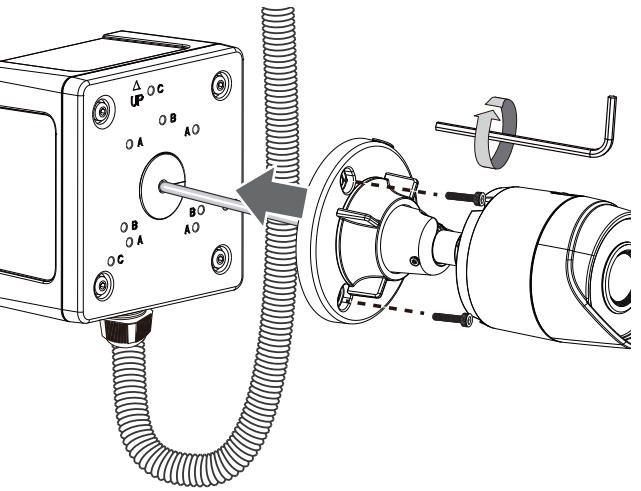
**7** Make sure the rubber seal is properly installed to the center hole. The outer rim of the seal must be through and cover the edge of the hole.



**9** Secure the top cover by fastening 4 hex socket screws.



**10** Install the camera using the corresponding mounting holes with the included hex socket screws.



11 Open a live view page on the camera's web user interface and point the camera to obtain the desired field of view.

If installing a fixed dome camera, secure the camera lower dome.

