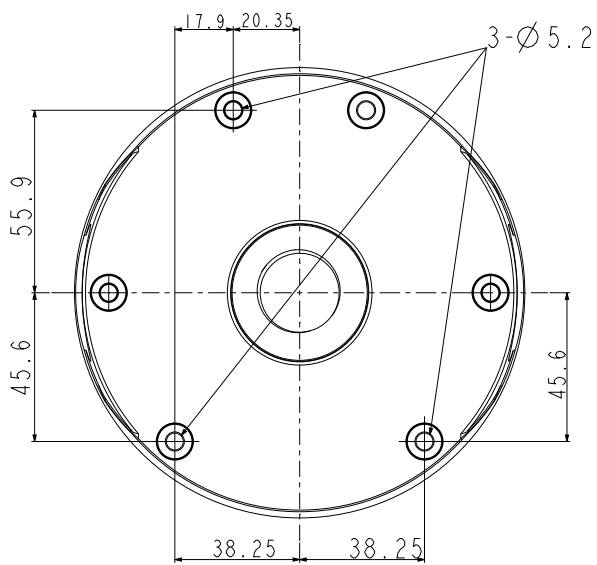
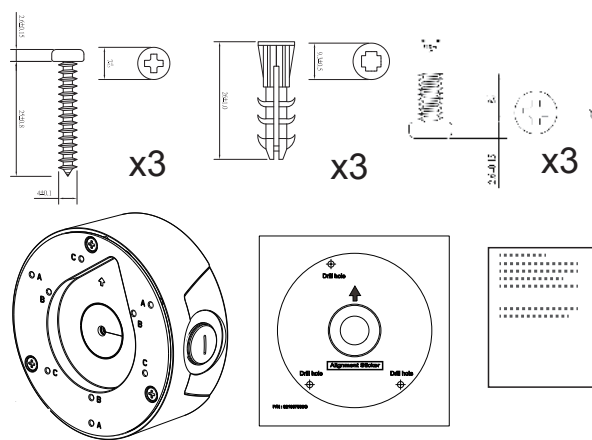


Mounting Dimensions

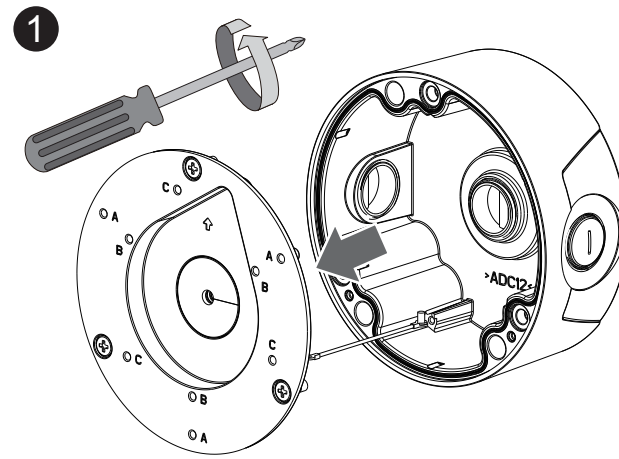


Package Contents

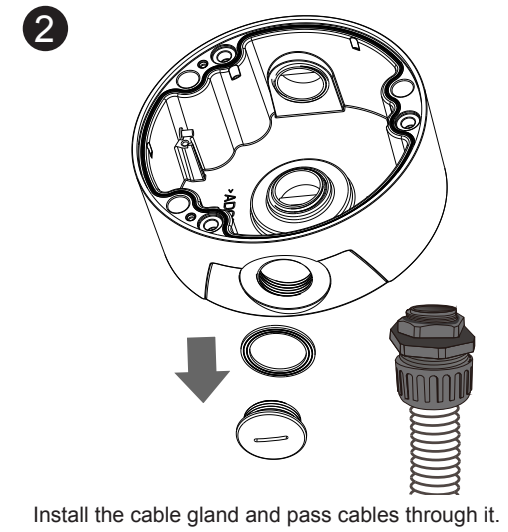


Installation

Remove the top cover.

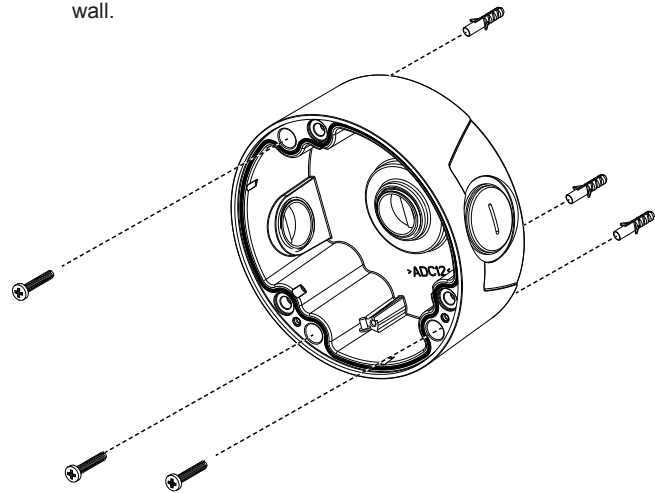


A 3/4" conduit is required for routing the cables with waterproof connection.

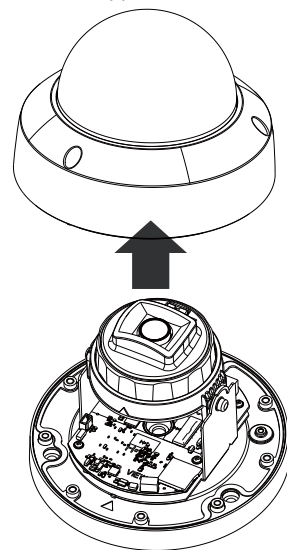


Install the cable gland and pass cables through it.

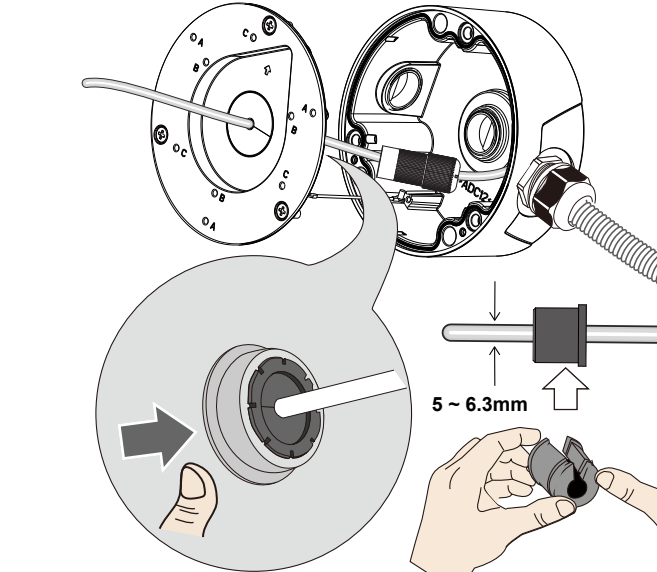
**3** Attach the included alignment sticker to a preferred position. Drill holes on the wall and install the junction box. If space behind the wall allows, you may also pass cables through the wall.



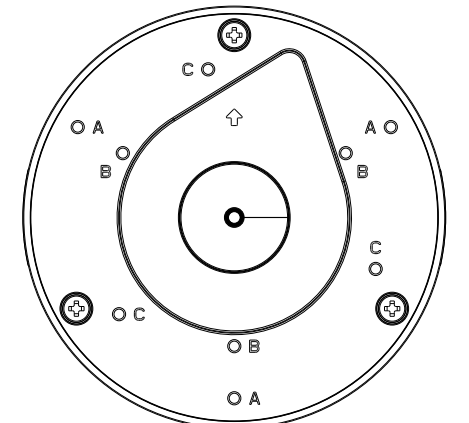
**4** Loosen and remove the camera top cover. (Using one of the supported cameras as an example)



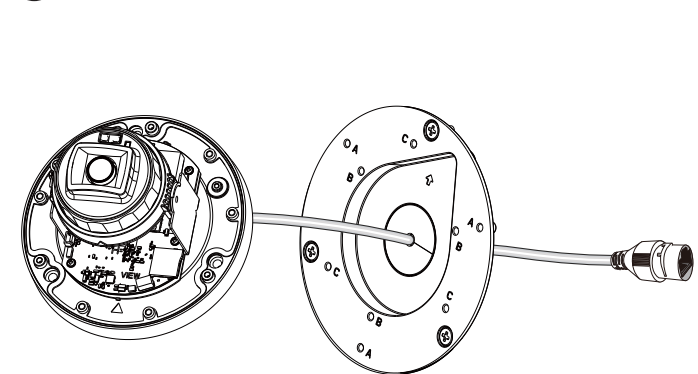
**7** Make sure the rubber seal is properly installed to the center hole. The outer rim of the seal must be through and cover the edge of the hole.



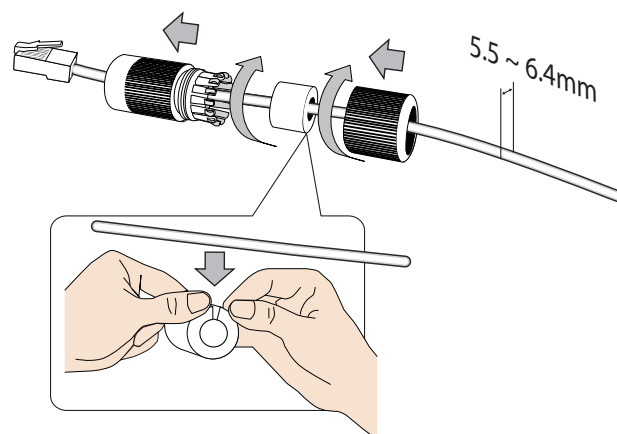
**8** Mounting hole locations:  
A: IMV Series  
B: ITV Series  
C: IJV Series



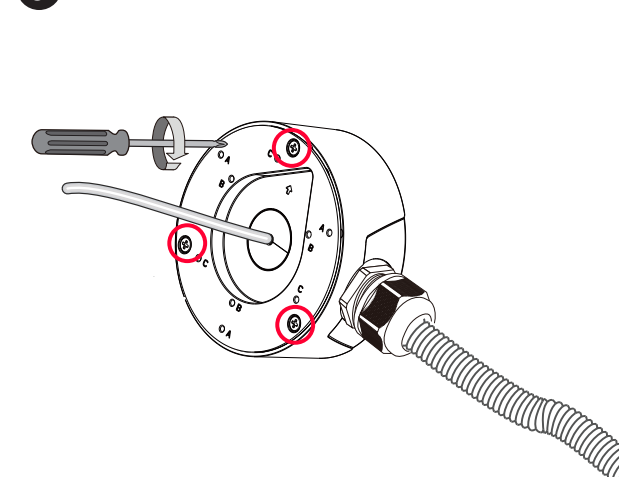
**5** Pass the camera's Ethernet cable through the center hole of the box and the rubber seal.



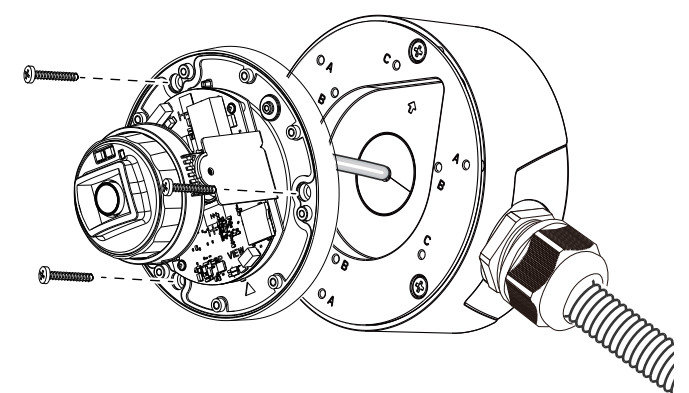
**6** Install the waterproof components of the cable gland to your Ethernet cable following the QIG of your camera. The cable gland will be placed within the protection of the box.



**9** Secure the top cover by fastening 3 cross-head screws.



**10** Install the camera using the corresponding mounting holes.



11 Open a live view page on the camera's web user interface and point the camera to obtain the desired field of view.

Secure the camera lower dome.

