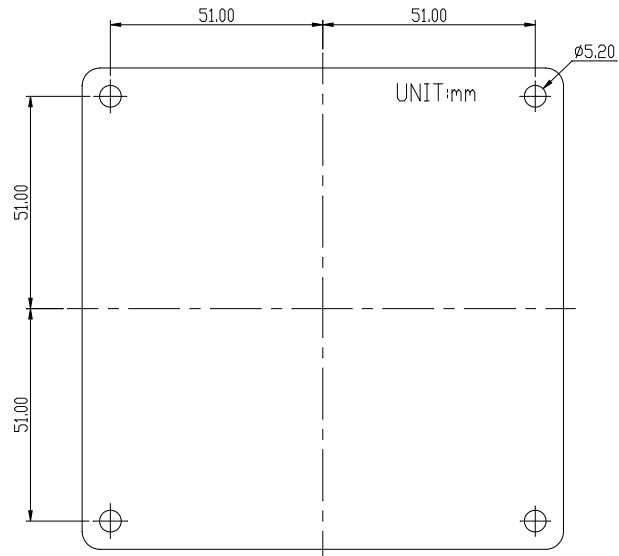


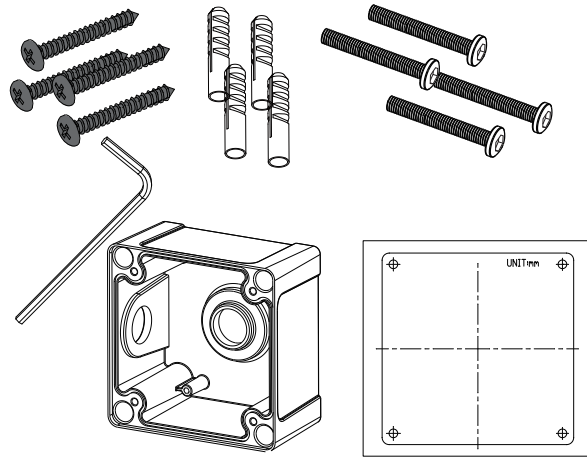
Installation Guide

C6695M

Mounting Dimensions

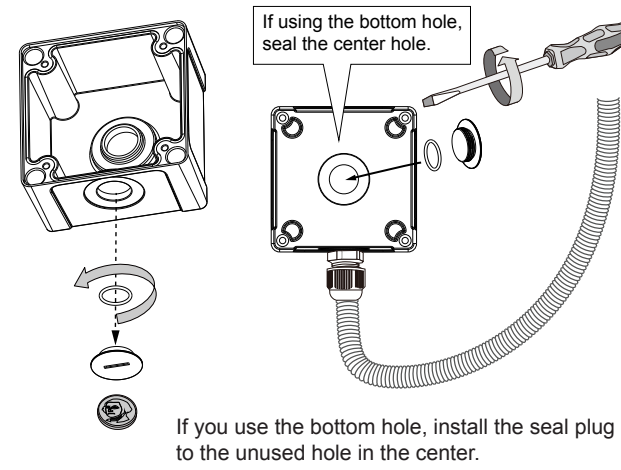


Package Contents

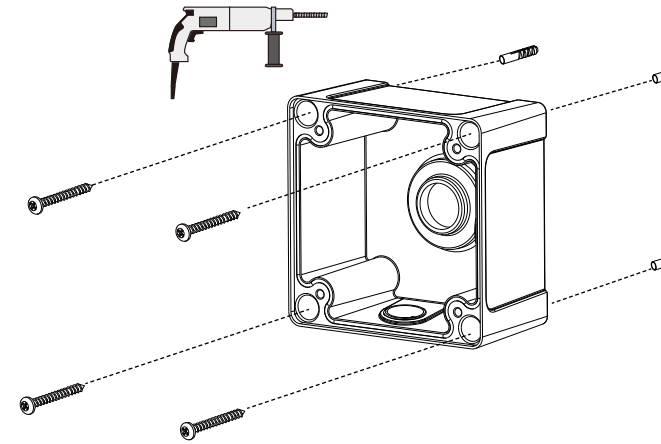


Installation

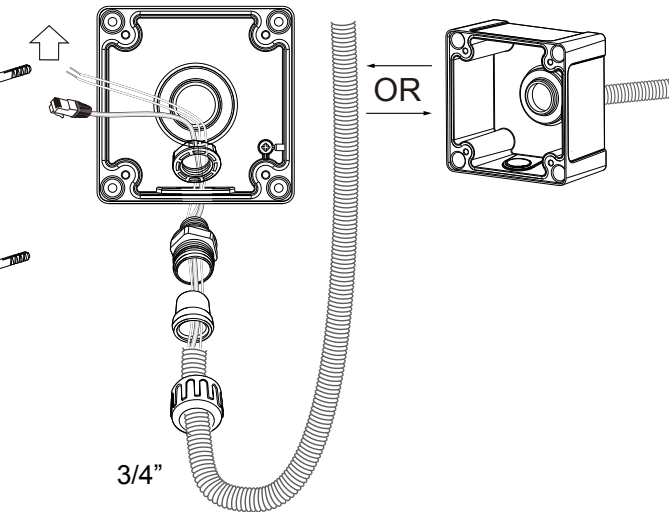
**1** A 3/4" conduit is required for routing the cables with waterproof connection. The cable gland and conduit are user-supplied.



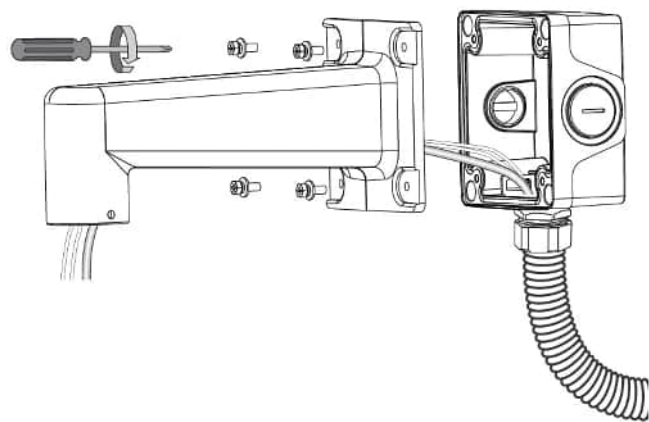
**2** Attach the included alignment sticker to a preferred position. Drill holes on the wall and install the junction box. If space behind the wall allows, you may also pass cables through the wall.



**3** Install the cable gland and pass cables through it.



**4** Secure SRXV-WMP Wall Arm to box using the hex socket screws.



**5** Refer to the accessories' and camera's QIG for more information.

