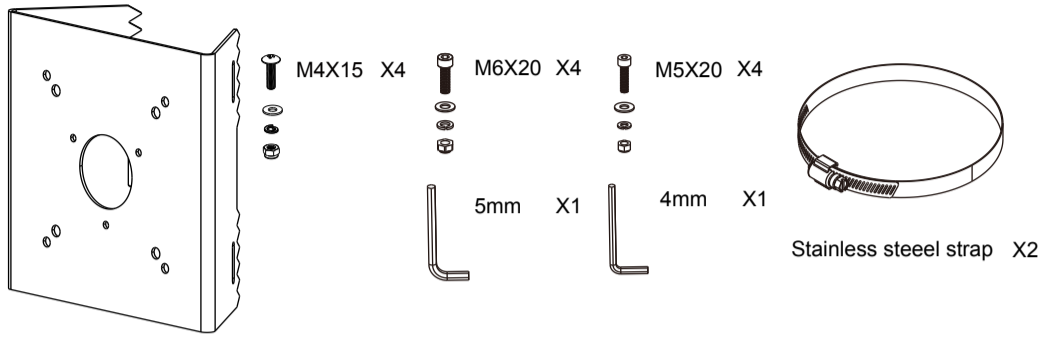


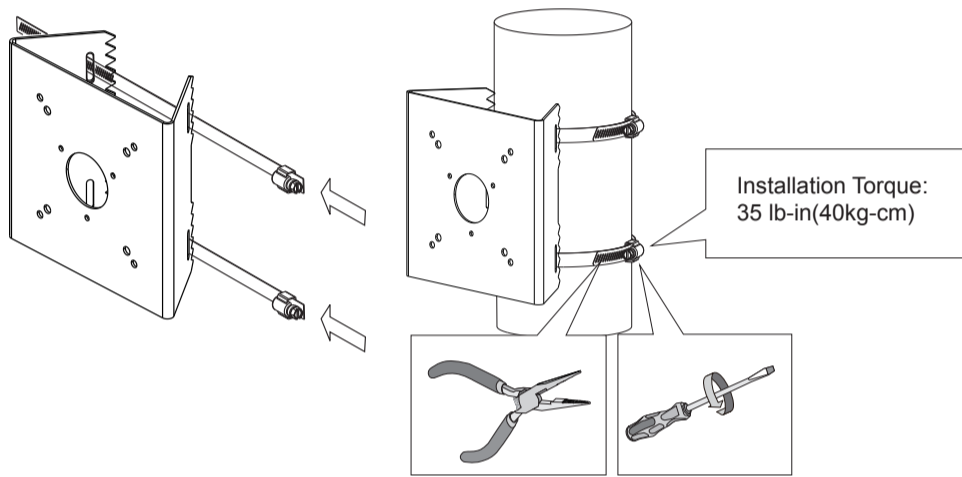
Package Contents

Items	1. Pole mount bracket, 2. Stainless strap x2, 3. M6X20mm screws x4, 4. M5X20mm screws x4, 5. Hex L wrench 5mm x1, 6. Hex L wrench 4mm x1, 7. M4x15 screws x4.
-------	---

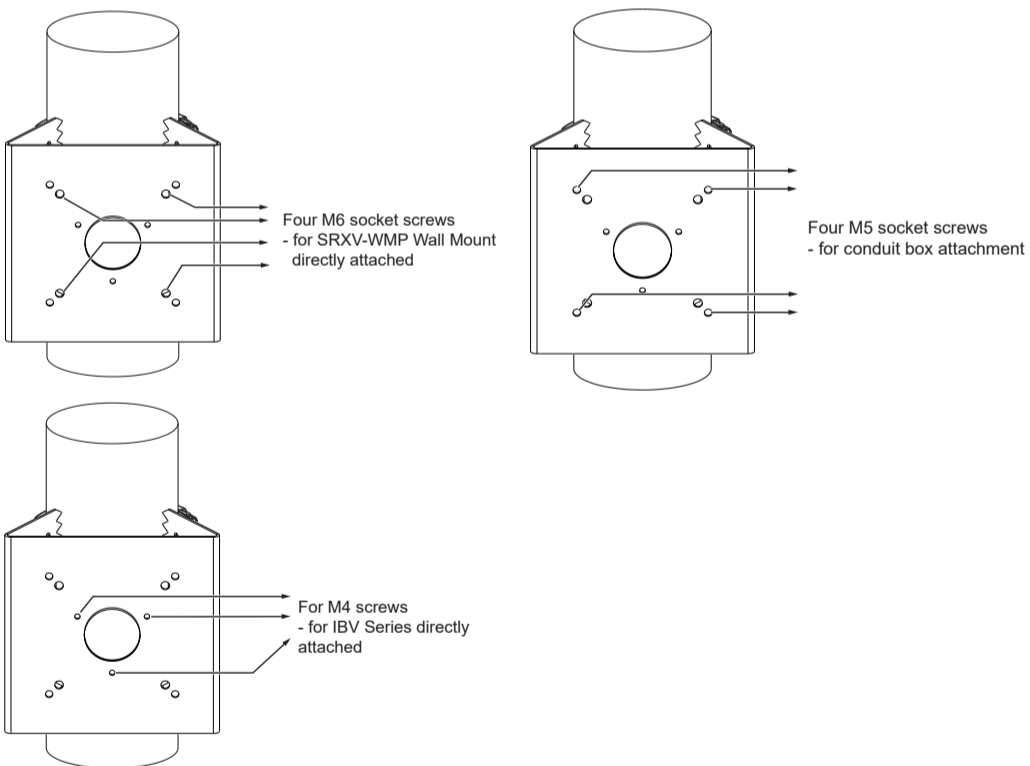


Installation

- Below is a general, sample procedure using a Pole mount bracket:
1. Pass the stainless steel straps through the bracket and around the pole.
 2. Tighten the straps using a pincer plier and a flat blade screwdriver.

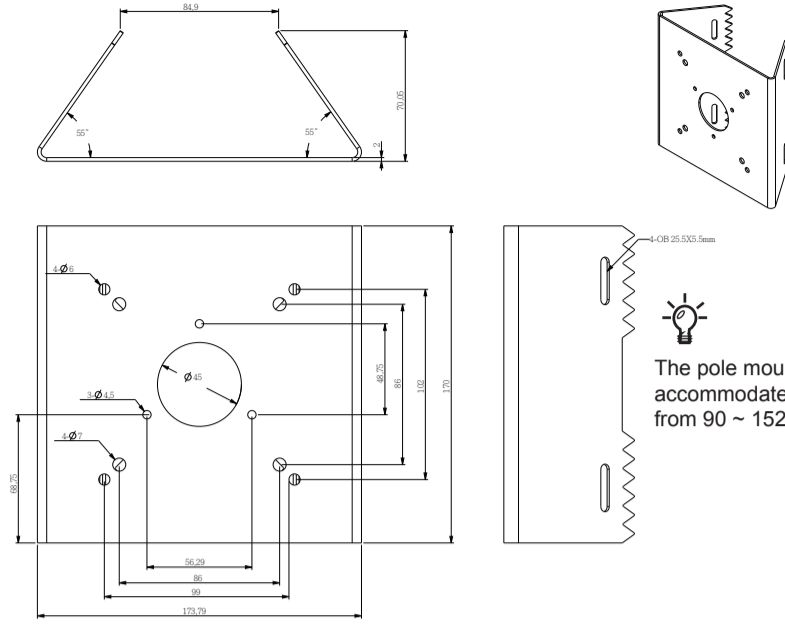


3. Hole configurations:



Mechanical Drawings

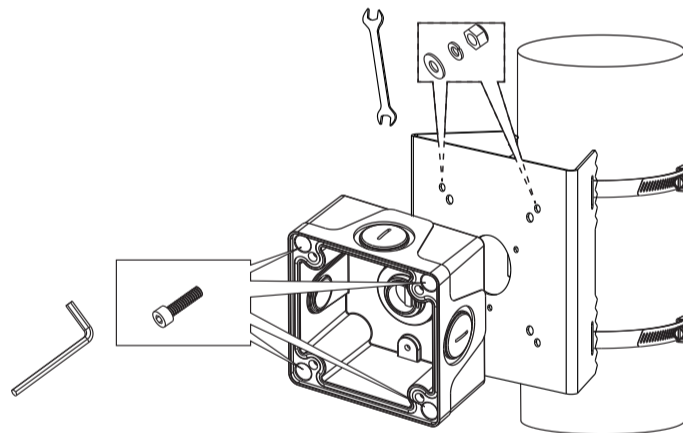
SRXV-PLM Pole mount bracket




The pole mount bracket is designed to accommodate a pole in a diameter ranging from 90 ~ 152mm (3.5 ~ 6 inches)

- Make sure you have purchased the adequate accessories to be combined for your installation.
- **Please do not install an indoor camera in an outdoor environment! Doing so will void our warranty.** This is determined by whether the camera housing is weather-proof.
- Direct sunlight can tremendously increase the temperature within the device.

4. Secure the conduit box, wall arm, or bullet camera to bracket using the M5 screws, washers, and hex nuts. A hex crescent wrench is required.



5. For the rest of the installation procedure, refer to the documentation that came with the other accessories.

 The 3/4" cable glands and conduits for protecting cables are user-supplied.

Below are the corresponding mount holes for the MS9390-HV.

