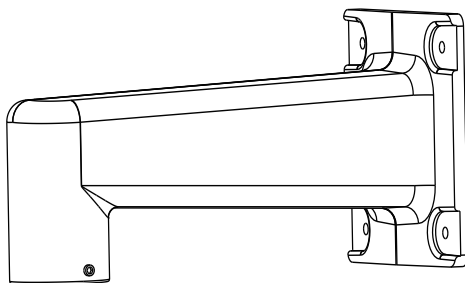




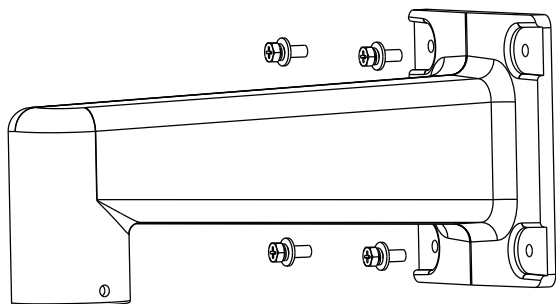
SRXV-WMP Wall Mount Bracket

Installation Guide



C6690M

Package Contents - SRXV-WMP

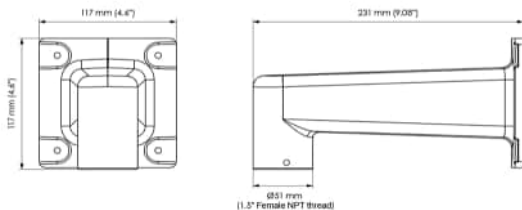


Refer to the table below for the description of the included screws:

Screw Description	No. of screws	Material characteristics
M5X14	4	Stainless steel, hex and cross head

For installation cabling and configuration details with each network camera, please refer to their documentation.

Dimensions



Wall Mount Installation

Use the wall mount as a guide to make markings on a preferred position.

Drill holes on the wall for securing the bracket and for routing the cables.

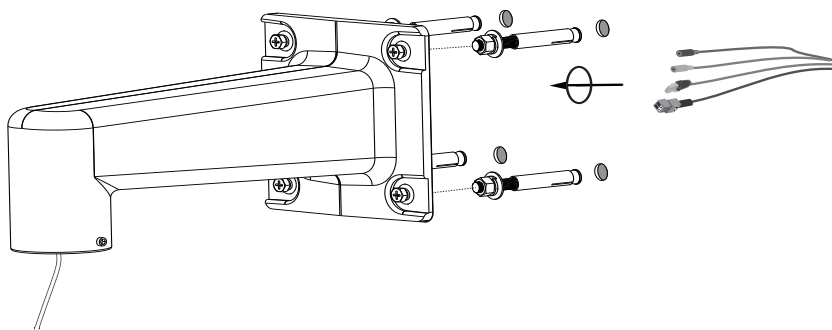
Route the Ethernet and/or other cables through the wall and the bracket and then secure the bracket to the wall.

Make sure water can not enter the drilled hole. Use silicon or caulk to prevent water leakage.



NOTE:

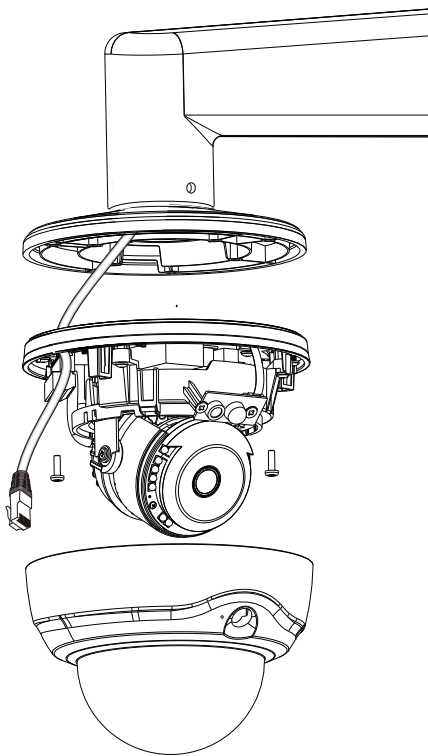
1. It is presumed that this wall-mount bracket is installed with a hole drilled on the wall for routing power lines, DI/DO, and Ethernet cables.
2. Route cables before you secure the wall-mount bracket to a wall.
3. For details on the cable connections with each camera, please refer to their Quick Installation Guide.



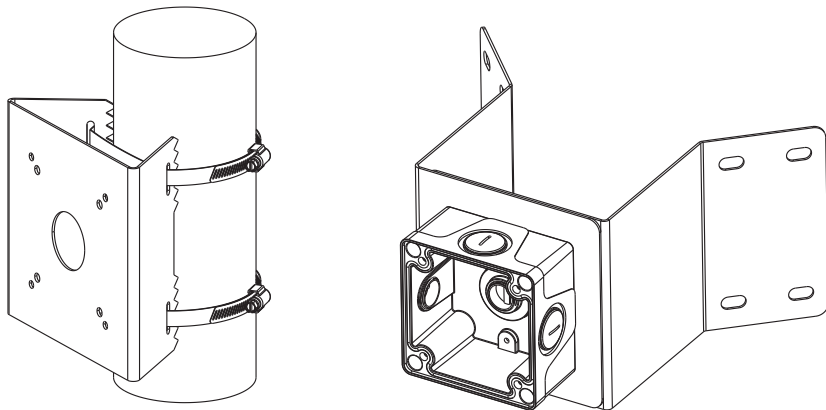
IMPORTANT:

Select mounting fasteners which are appropriate for the mounting surface medium. The screws and mounting surface must be able to support a weight of 5 kg.

Follow the instructions in the Pendant Adapter Installation Guide to continue the camera installation process.



Conduit box, pole mount, and corner mount are also supported. Please refer to their Installation Guides for more information.



Pelco, Inc.

625 W. Alluvial, Fresno, California 93711 United States

USA & Canada Tel (800) 289-9100 Fax (800) 289-9150

International Tel +1 (559) 292-1981 Fax +1 (559) 348-1120

www.pelco.com