

**TIWM & TIPM
(Wall Mount & Pole
Mount Adapter)**



C6646M (9/19)

Important Safety Instructions

Prior to installation and use of this product, the following WARNINGS should be observed.

1. Read these instructions.
2. Keep these instructions.
3. Heed all warnings.
4. Follow all instructions
5. Only use attachments/accessories specified by the manufacturer.
6. Installation should be done only by qualified personnel and conform to all local codes.
7. Unless the unit is specifically marked as a NEMA Type 3, 3R, 3S, 4, 4X, 6, or 6P enclosure, it is designed for indoor use only and it must not be installed where exposed to rain and moisture.
8. Use only installation methods and materials capable of supporting four times the maximum specified load.
9. Use stainless steel hardware to fasten the mount to outdoor surfaces.
10. To prevent damage from water leakage when installing a mount outdoors on a roof or wall, apply sealant around the bolt holes between the mount and mounting surface.
11. Only use replacement parts recommended by Pelco.

The product and/or manual may bear the following marks:



This symbol indicates that dangerous voltage constituting a risk of electric shock is present within this unit.



This symbol indicates that there are important operating and maintenance instructions in the literature accompanying this unit.

CAUTION:
RISK OF ELECTRIC SHOCK. DO NOT OPEN.

Please thoroughly familiarize yourself with the information in this manual prior to installation and operation.

TIWM Wall Mount

The TIWM wall mount has been specifically designed for use with the Sarix TI Series cameras.

The TIWM can be installed on a wall or vertical surface, indoors or outdoors, and is capable of supporting up to 25 kilograms (55 pounds).

The TIWM has an adjustable tilt table that allows manual positioning of the camera.



PARTS LIST

The following parts are supplied.

Qty	Description
1	Mount, light duty wall
4	Screw, Flat head, M5 x 14 mm long
1	Allen Key, (For pan/tilt adjustment)

USER SUPPLIED PARTS LIST

The following installation parts and tools are needed but not supplied.

Qty	Description
1	Sarix TI Series camera
1	3 mm Allen Key or socket
1	Medium duty thread locker or LOCTITE® 243
1	Appropriate water-tight sealant, if installing the product outdoors

Note: The mounting hardware is not provided.

Installing the TIWM Wall Mount

1. Using the wall mount as a template, mark the holes for the mounting hardware on the mounting surface.



WARNINGS:

- Make certain the mounting surface can support the full load of the mount, enclosure, and camera.
 - When installing the mount outdoors, seal the bolt holes with an appropriate sealant to prevent water damage to the mounting surface. Apply the sealant around the bolt holes between the mount and the mounting surface.
2. Prepare the surface.
 3. Attach the mount to the mounting surface with the appropriate hardware (not supplied). If you install the mount outdoors, apply a sealant between the mount and the mounting surface.
 4. Attach the camera to the tilt table with four flat head screws. **Note:** Apply thread locker (LOCTITE® 243) to threads of screws. Tighten screws to 30-40 in-lbs (3.4-4.5 Nm).
 5. Adjust the pan/tilt position of the mount:
 - a. Loosen the bolt on the bottom of the tilt table support bracket.
 - b. Adjust the pan and tilt position.
 - c. Re-tighten the bolt to 65-75 in-lbs (7.3-8.5 Nm).

TIPM Pole Mount

The TIPM pole mount has been specifically designed for use with the TIWM wall mount. The TIPM can be installed on pole diameters ranging from 65 mm (2.6 in) up to 140 mm (5.5 in) and is capable of supporting up to 30 kilograms (66 pounds).

PARTS LIST

The following parts are supplied.

Qty	Description
2	M10 threaded rods
4	M10 flat washers
4	M10 hex nuts
8	M8 socket head cap screws
8	M8 flat washers
2	Die cast mounting flanges

USER SUPPLIED PARTS LIST

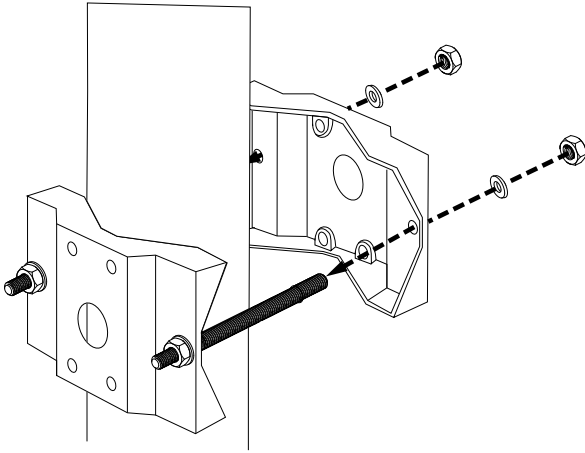
The following installation parts and tools are needed but not supplied.

Qty	Description
1	6 mm hex key or socket
1	Medium duty thread locker or LOCTITE® 243

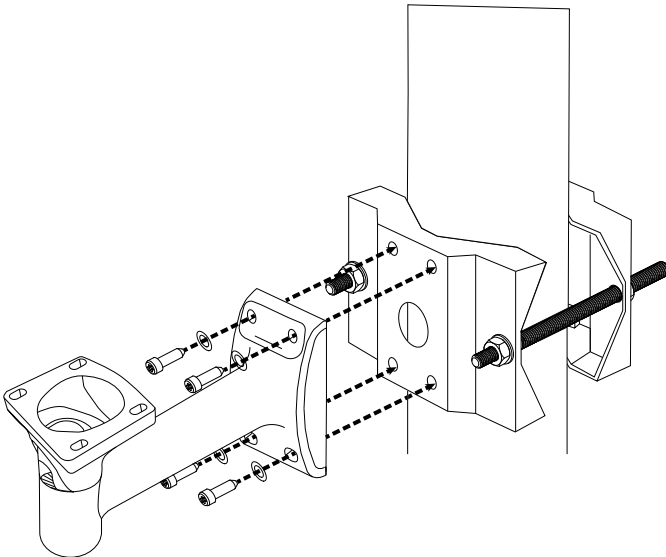
Installing the TIPM Pole Mount

1. Install (1) M10 flat washer and (1) M10 hex nut onto one end of each M10 threaded rod. Place the other end of each threaded rod through the holes on the left and right sides of one die cast mounting flange.
2. Place the die cast mounting flange, with the threaded rods and fasteners installed, on one side of the mounting pole.

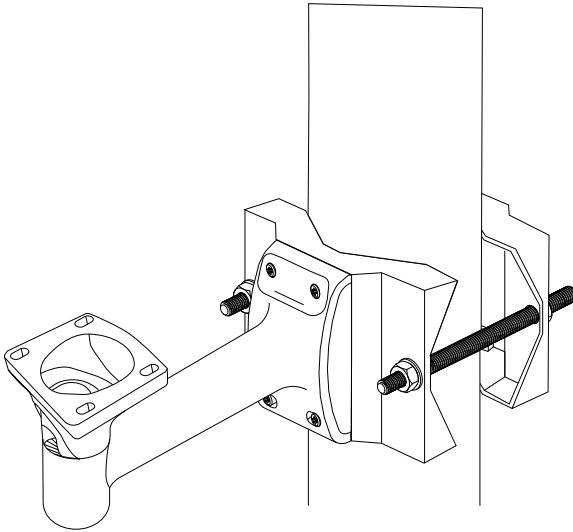
3. Take the second die cast mounting flange and feed each of the threaded rods through the holes on the left and right sides while moving it towards the opposite side of the mounting pole as the first die cast mounting flange.



4. Install (1) M10 flat washer and (1) M10 hex nut onto the end of each threaded rod.
5. Position the mount assembly at the desired height on the mounting pole and tighten all 4 hex nuts until the mount assembly is firmly attached to the pole.



- Using (4) M8 socket head cap screws and (4) M8 flat washers, attach the TIPM pole mount to the surface of the die cast mounting flange and tighten the screws to 21.2 Nm (188 in-lbs). **Note:** Apply thread locker (LOCTITE® 243) to threads of screws.

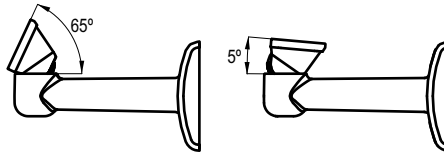
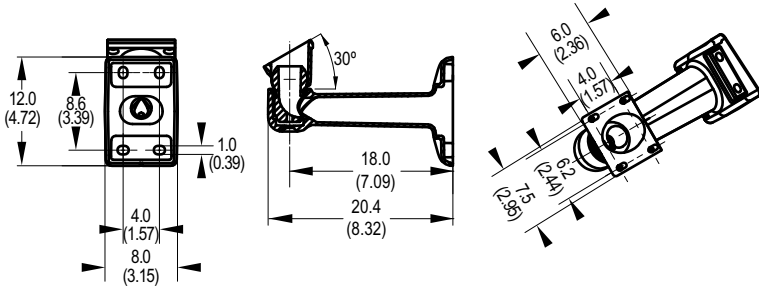


- Refer to the installation manual included with the Sarix TI Series Thermal Camera for final assembly and wiring instructions.



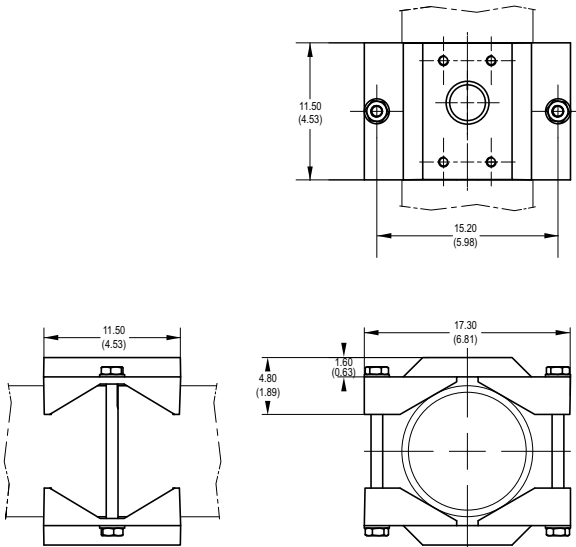
NOTE: VALUES IN PARENTHESES ARE INCHES; ALL OTHERS ARE CENTIMETERS.

TIWM Wall Mount



MAXIMUM INCLINATION

TIPM Pole Mount



WARRANTY STATEMENT

For information about Pelco's product warranty and thereto related information, refer to www.pelco.com/warranty.



This equipment contains electrical or electronic components that must be recycled properly to comply with Directive 2002/96/EC of the European Union regarding the disposal of waste electrical and electronic equipment (WEEE). Contact your local dealer for procedures for recycling this equipment.

REVISION HISTORY

Manual #	Date	Comments
C6646M	9/19	Original version.

Pelco, the Pelco logo, and other trademarks associated with Pelco products referred to in this publication are trademarks of Pelco, Inc. or its affiliates. All other product names and services are the property of their respective companies. ONVIF and the ONVIF logo are trademarks of ONVIF Inc. Product specifications and availability are subject to change without notice.
© Copyright 2019, Pelco, Inc. All rights reserved.



Pelco Inc. 625 W. Alluvial Ave. Fresno, California 93711 United States
USA & Canada Tel (800) 289-9100 Fax (800) 289-9150 International
Tel +1 (559) 292-1981 Fax +1 (559) 348-1120
www.pelco.com