

Quick Start Guide

GV-R Series IP Camera



- **GV-RBL5800 / RBL5811**
- **GV-REB2500**
- **GV-RFER12700**

Before attempting to connect or operate this product, please read these instructions carefully and save this manual for future use.

RBLEBFER-QG-A



© 2024 GeoVision, Inc. All rights reserved.

Under the copyright laws, this manual may not be copied, in whole or in part, without the written consent of GeoVision.

Every effort has been made to ensure that the information in this manual is accurate. GeoVision, Inc. makes no expressed or implied warranty of any kind and assumes no responsibility for errors or omissions. No liability is assumed for incidental or consequential damages arising from the use of the information or products contained herein. Features and specifications are subject to change without notice.

GeoVision, Inc.
9F, No. 246, Sec. 1, Neihu Rd.,
Neihu District, Taipei, Taiwan
Tel: +886-2-8797-8377
Fax: +886-2-8797-8335
<http://www.geovision.com.tw>

Trademarks used in this manual: *GeoVision*, the *GeoVision* logo and *GV* series products are trademarks of GeoVision, Inc. *Windows* is the registered trademark of Microsoft Corporation.

March 2024

Scan the following QR codes for product warranty and technical support policy:



[Warranty]

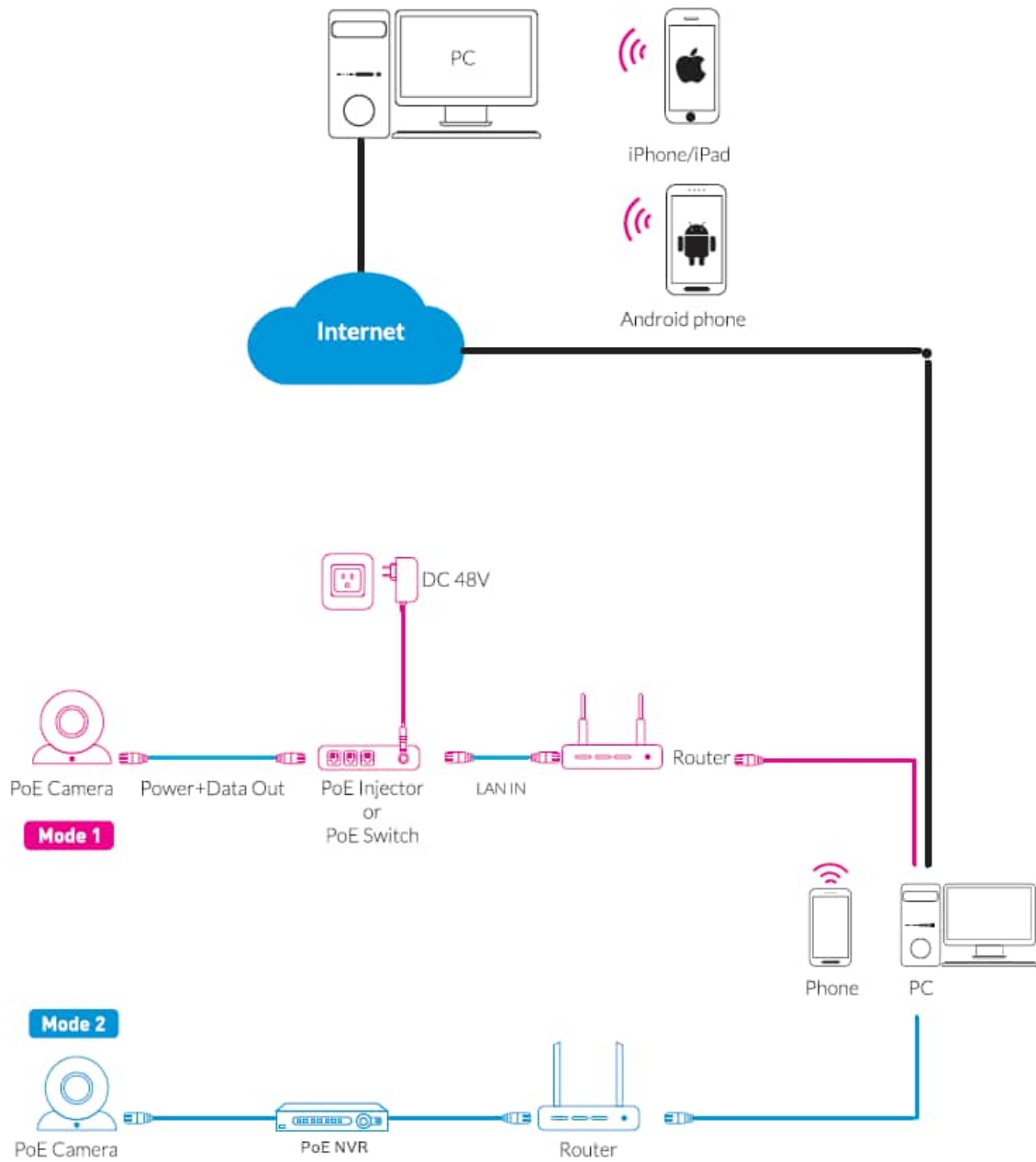


[Technical Support Policy]

Contents

1. Camera Connection Diagram	1
2. Camera Overview	1
2.1 GV-RBL5800	1
2.2 GV-RBL5811	2
2.3 GV-REB5800	3
2.4 GV-RFER12700	4
3. Installation	1
3.1 Bullet Camera Installation (For GV-RBL5800 / RBL5811)	1
3.2 Dome Camera Installation (For GV-REB5800)	2
4. Optional Installation	5
4.1 Straight Tube GV-Mount108	5
4.2 Wall Pendant Mounting with GV-Mount210-2	7
4.3 Wall Box Mounting with GV-Mount213-1	9
4.4 Wall Bracket Mounting with GV-Mount215-1	12
4.5 Corner Mounting with GV-Mount311	16
4.6 Wall Bracket Mounting with GV-Mount504-1	20
4.7 Wall Box Mounting with GV-Mount505	27

1. Camera Connection Diagram



Attention: There are two connection modes:

1. For non-PoE router, please connect the camera by a PoE switch or a PoE injector.
2. For a POE NVR, please connect the camera directly to the POE NVR, then follow the below steps.

2. Camera Overview

2.1 GV-RBL5800



No.	Description	No.	Description
1	IR LED x 2	3	Default button
2	Built-in microphone	4	SD card slot

Note: Press the default button for 15 seconds to reboot the camera.

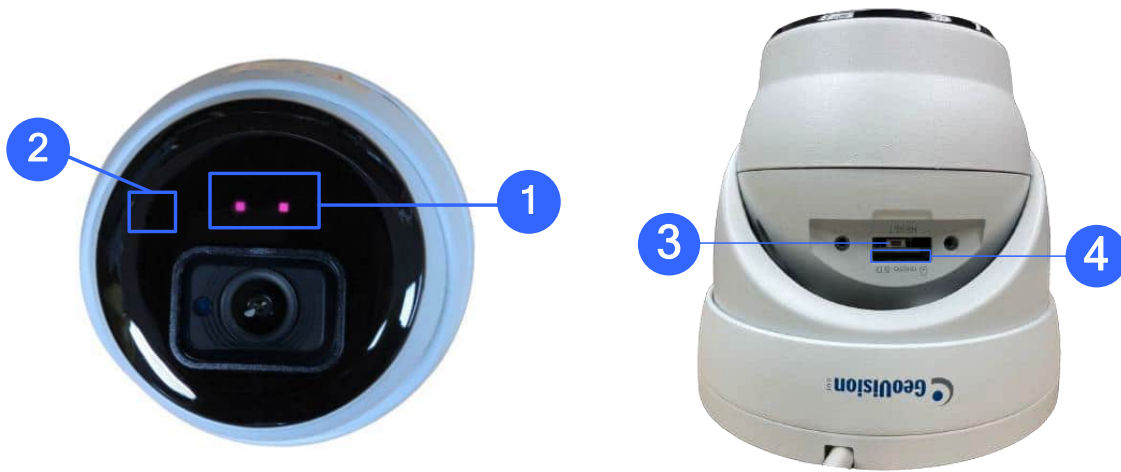
2.2 GV-RBL5811



No.	Description	No.	Description
1	IR LED x 4	5	Audio output
2	Default button	6	LAN / PoE port
3	SD card slot	7	Alarm in / GND / COM / Alarm out
4	Audio Input	8	Power connector (DC 12 V)

Note: Press the default button for 15 seconds to reboot the camera.

2.3 GV-REB5800



No.	Description	No.	Description
1	IR LED x 2	3	Default button
2	Built-in microphone	4	SD card slot

Note: Press the default button for 15 seconds to reboot the camera.

2.4 GV-RFER12700



No.	Description	No.	Description
1	IR LED x 3	5	LAN / PoE port
2	Built-in microphone	6	Default button
3	Built-in speaker	7	Alarm in / GND / COM / Alarm out
4	SD card slot	8	Power connector (DC 12 V)

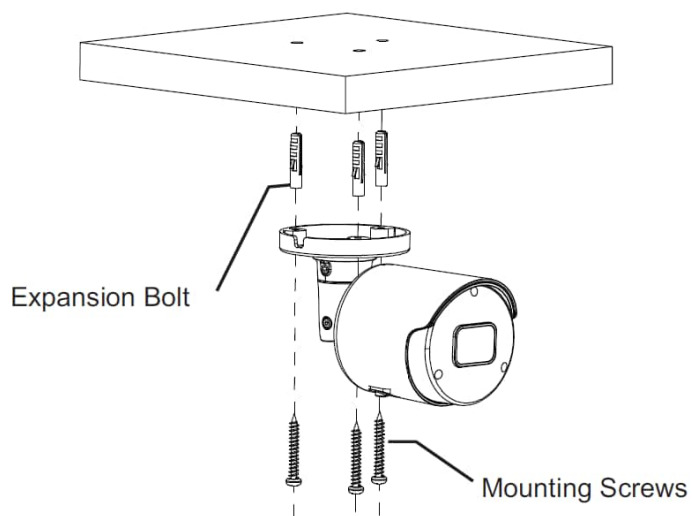
Note: Press the default button for 15 seconds to reboot the camera.

3. Installation

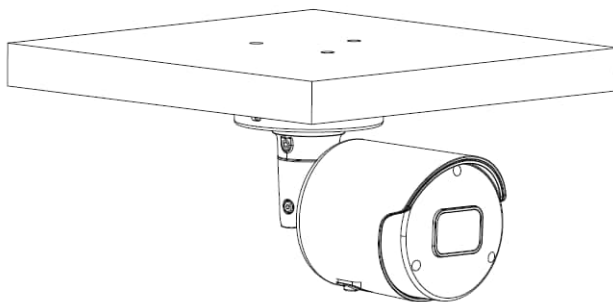
3.1 Bullet Camera Installation (For GV-RBL5800 / RBL5811)

Ceiling Mounting

1. Insert three expansion bolts in place into the ceiling and fix the equipment with three mounting screws.



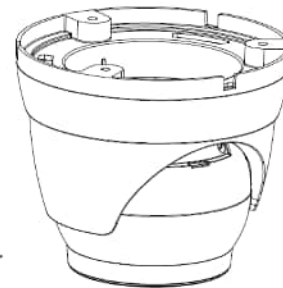
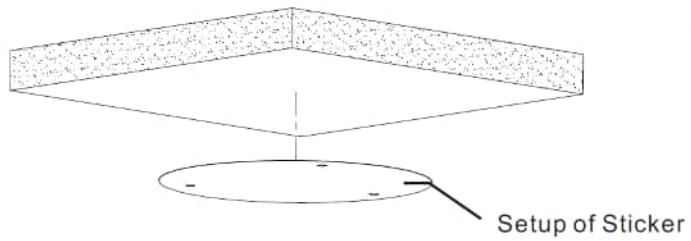
2. Completion of installation.



3.2 Dome Camera Installation (For GV-REB5800)

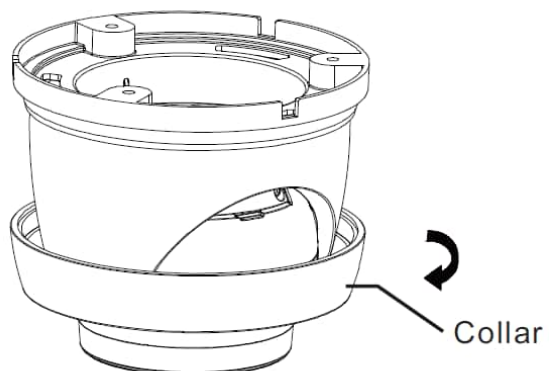
Ceiling Mounting

1. Paste the sticker in place at the proper position as selected.

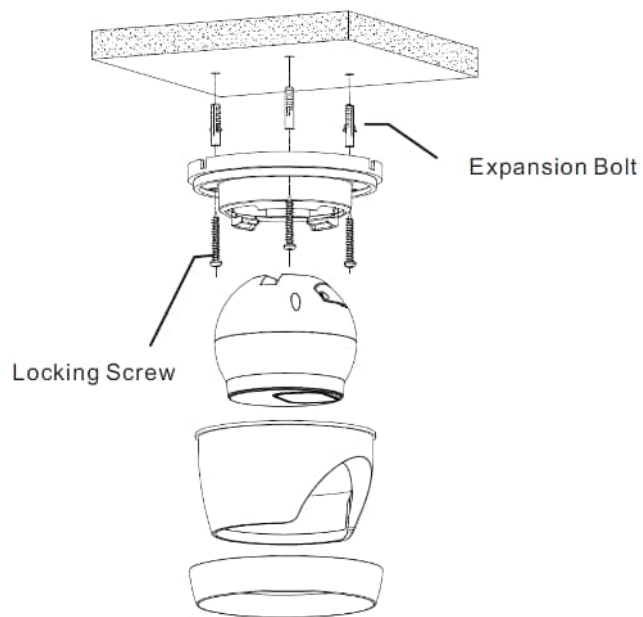


Dome Camera

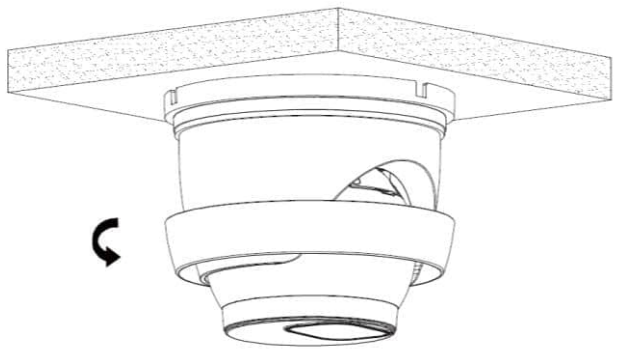
2. Remove the collar off the camera by rotating it down.



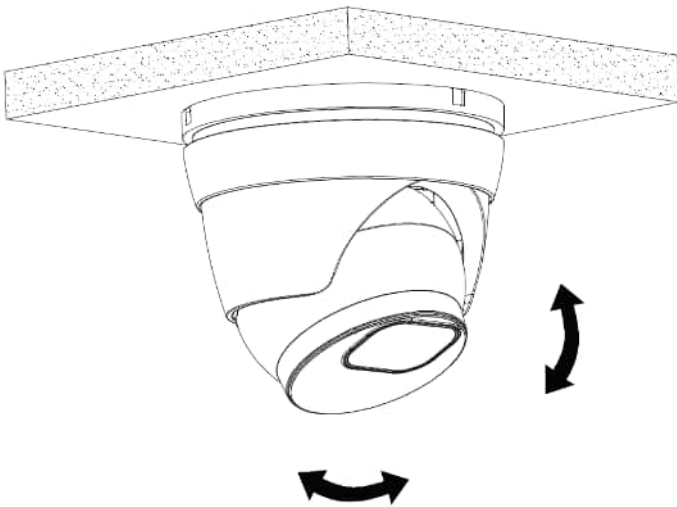
3. Fix the pedestal by drilling locking holes around the sticker and inserting three expansion bolts into the holes and fastening it with three locking screws.



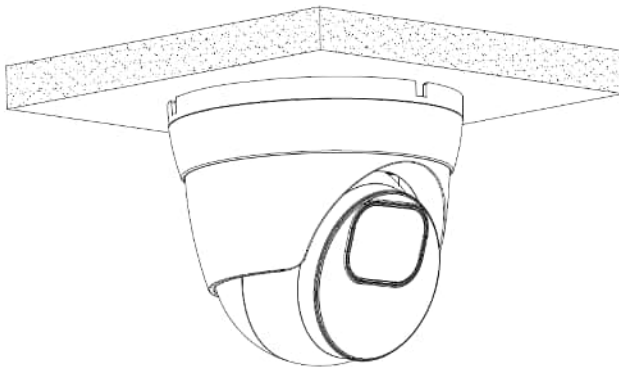
4. Mount the collar back by rotating it up.



5. Adjust it to an appropriate angle.



6. Completion of installation.



4. Optional Installation

4.1 Straight Tube GV-Mount108

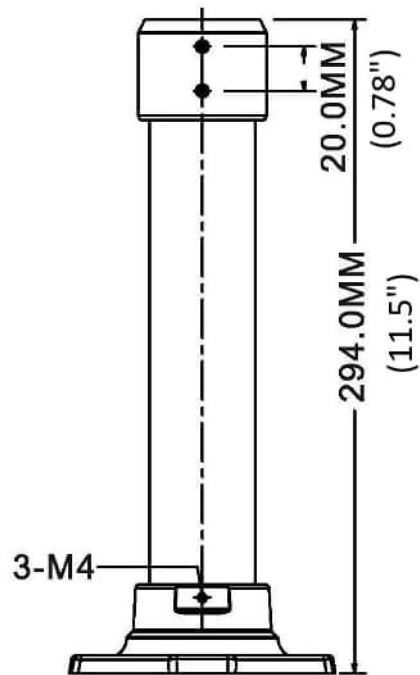


Packing List

1. GV-Mount108	2. Expansion bolt x 4
3. Allen wrench x 1	

Note: GV-Mount108 must be used with GV-Mount504-1.

Dimension



Applicable Models

GV-RFER12700

GV-Mount108 + GV-Mount504-1 Installation

See 4.4 Wall Bracket Mounting with GV-Mount504-1 for details.

4.2 Wall Pendant Mounting with GV-Mount210-2

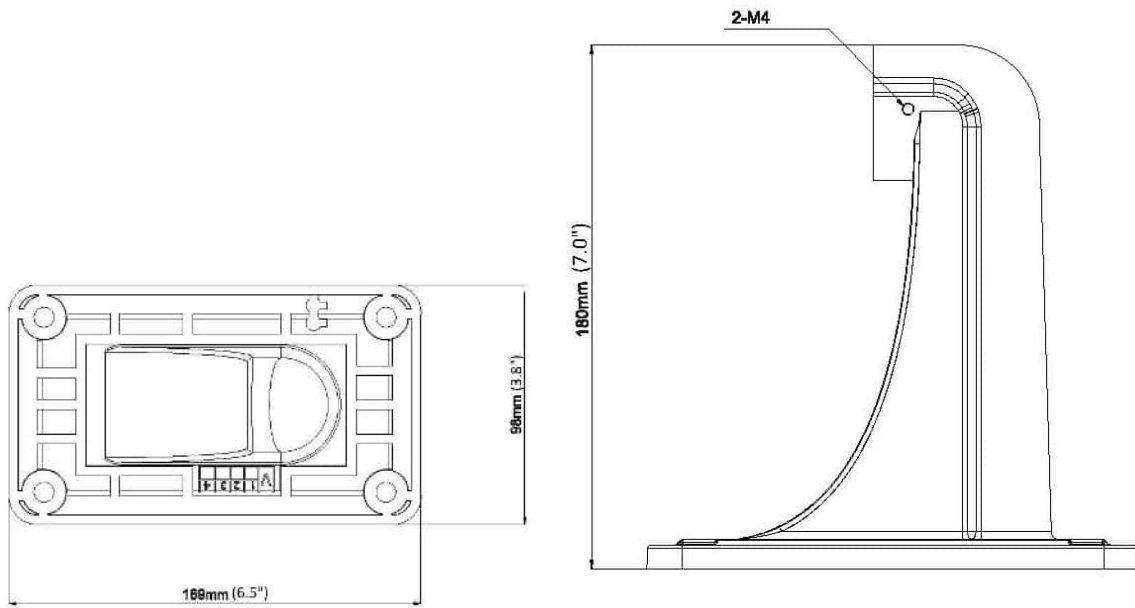


Packing List

1. GV-Mount210-2	2. Expansion bolt x 4
3. Short screw (10 mm) x 1	4. Long screw (35 mm) x 4
5. Colloidal particle x 4	

Note: GV-Mount210-2 must be used with GV-Mount504-1.

Dimension



Applicable Models

GV-RFER12700

GV-Mount210-2 + GV-Mount504-1 Installation

See 4.4 Wall Bracket Mounting with GV-Mount504-1 for details.

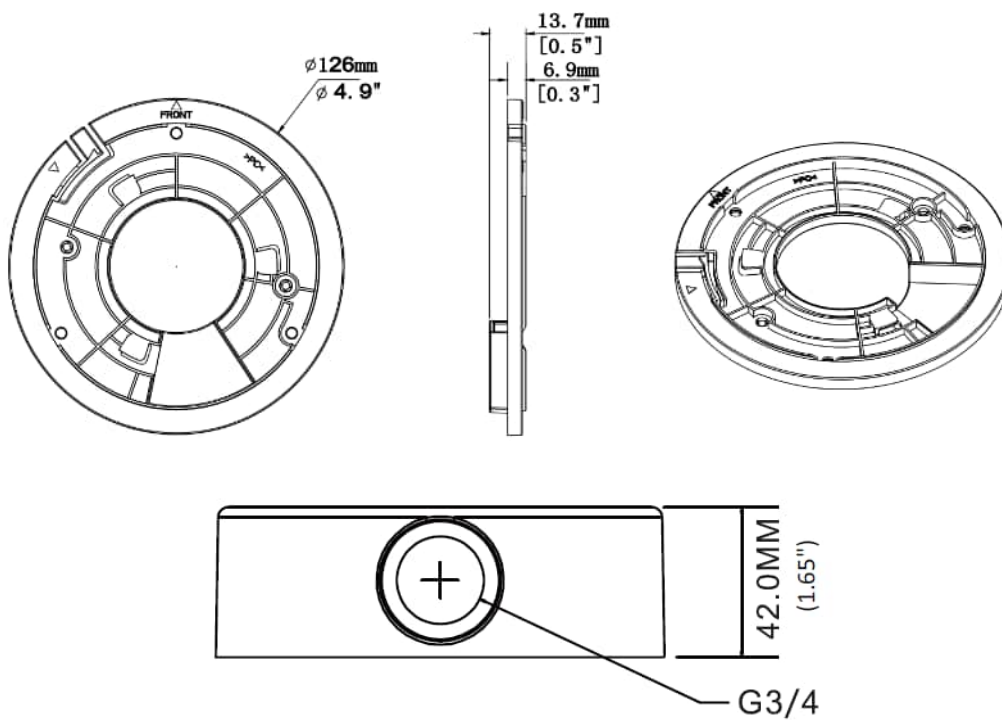
4.3 Wall Box Mounting with GV-Mount213-1



Packing List

1. GV-Mount213-1	2. Base x 1
3. Allen wrench x 1	4. Socket screw (14 mm) x 3
5. Colloidal particle x 4	6. Long screw (35 mm) x 4
7. Screw waterproofing ring x 4	8. Waterproof joint rubber ring x 1
9. Waterproof connector x 1	10. Drill Template Paster

Dimension

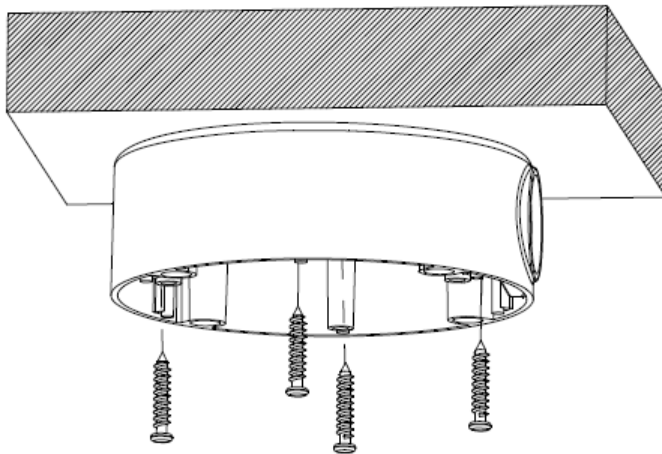


Applicable Models:

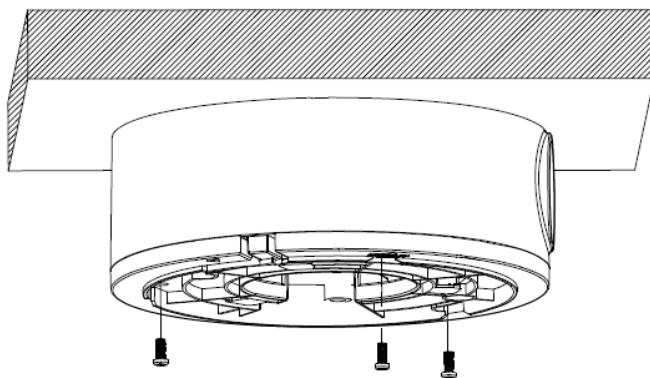
GV-RFER12700

GV-Mount213-1 Installation

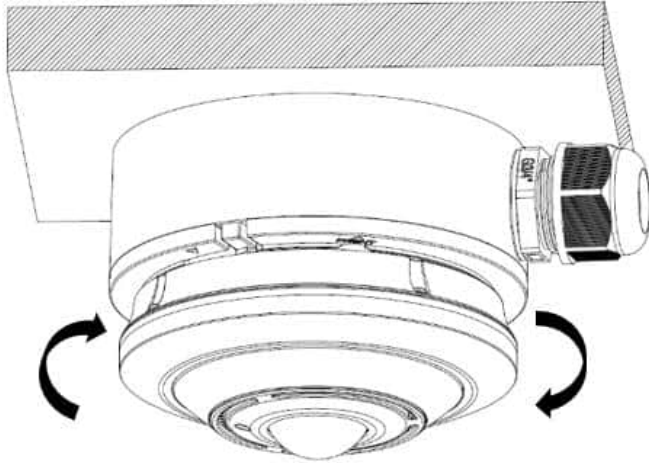
1. Place the template paster on the wall surface where installation is needed. Drill four self-tapping screw holes, and hammer four colloidal particles into the drilled wall holes. Align the four screw holes of GV-Mount213-1 base with the wall screw holes and tighten them with self-tapping screws.



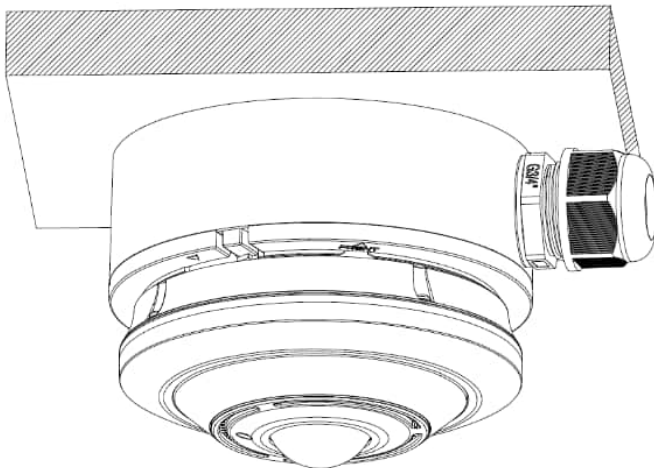
2. Align the adapter board of the fisheye camera with the screw holes on the bottom cover of GV-Mount213-2, and tighten three screws.



3. Thread the network cable through the waterproof connector and pull it out from the central hole of the adapter board. Connect the tail cable of the fisheye camera and the network cable, place them in GV-Mount213-1, and align the fisheye camera with the buckle on the adapter board. Rotate it clockwise until the buckle is completely in place.



4. After installation, tighten the waterproof connector, and the installation is complete.



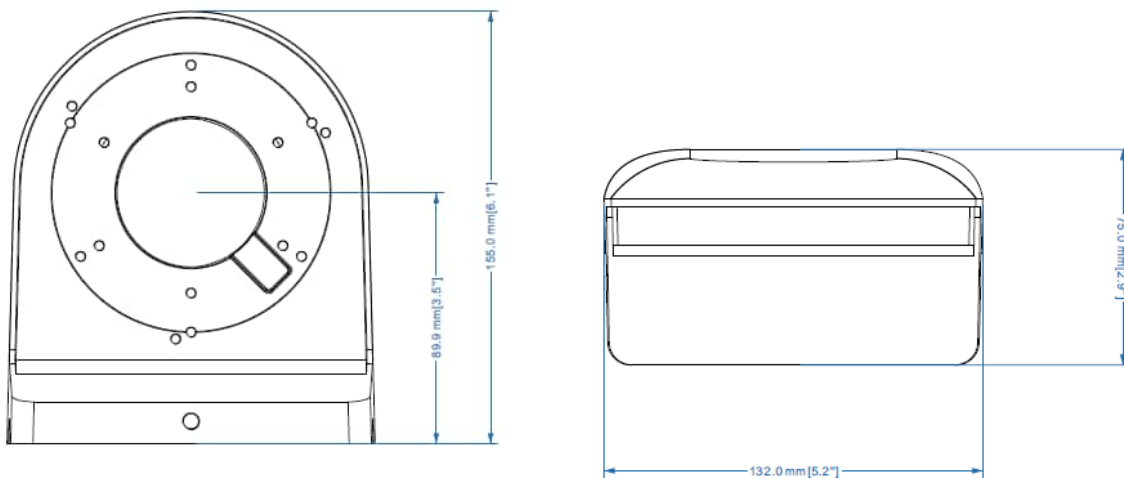
4.4 Wall Bracket Mounting with GV-Mount215-1



Packing List

1. GV-Mount215-1	2. Short screw (10 mm) x 3
3. Allen wrench x 1	4. Long screw (25 mm) x 4
5. Colloidal particle x 4	6. Drill Template Paster

Dimension

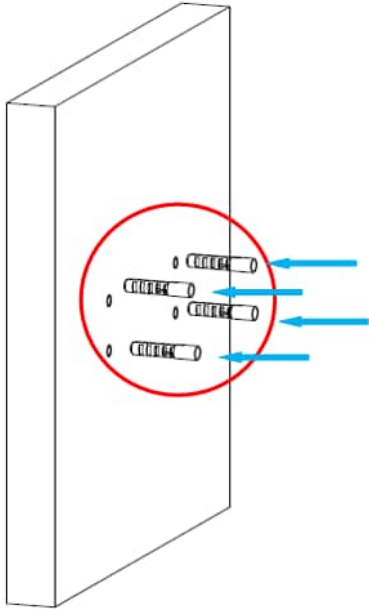


Applicable Models:

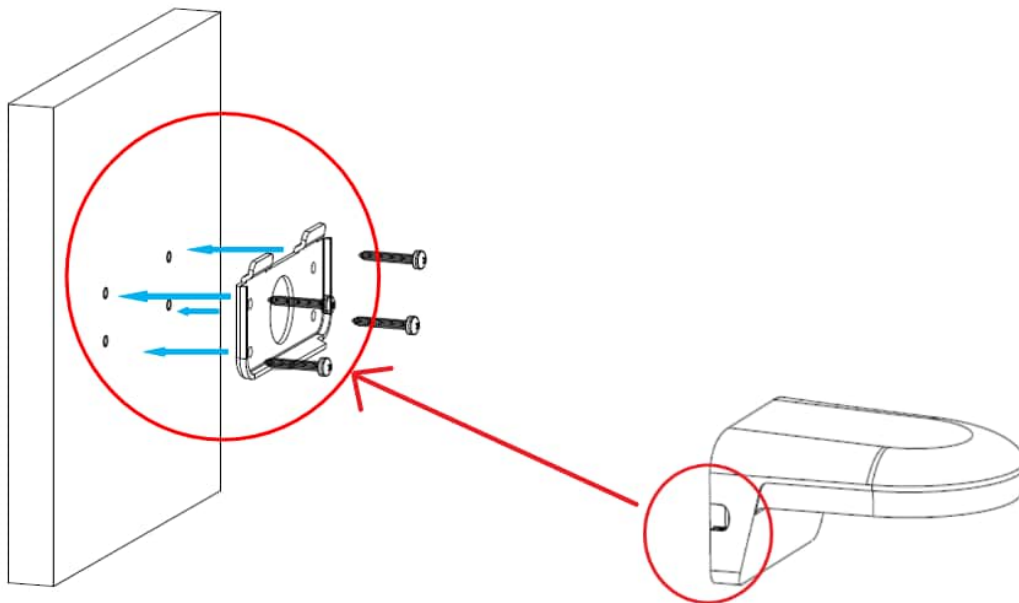
GV-REB5800

GV-Mount215-1 Installation

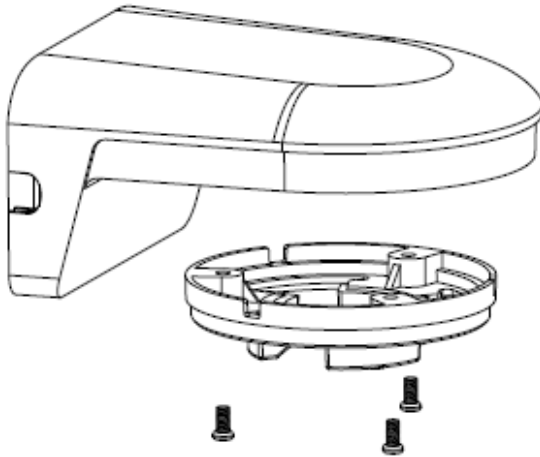
1. Drill holes according to the drill template paster on the wall and insert the colloidal particles.



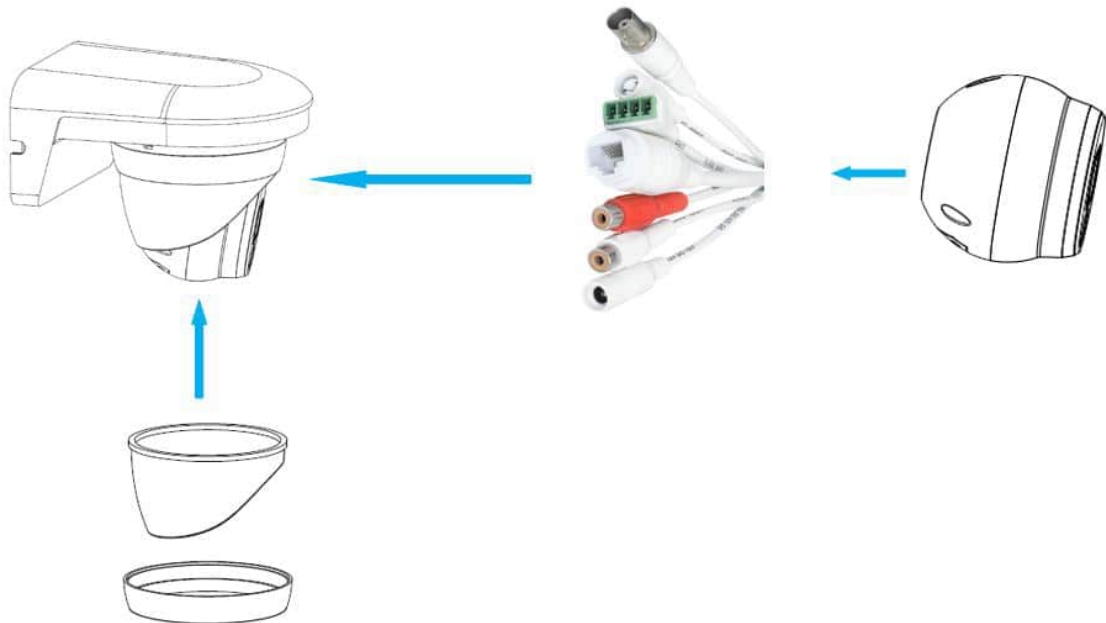
2. Secure the bottom plate of GV-Mount215-1 on the wall using the supplied screws.



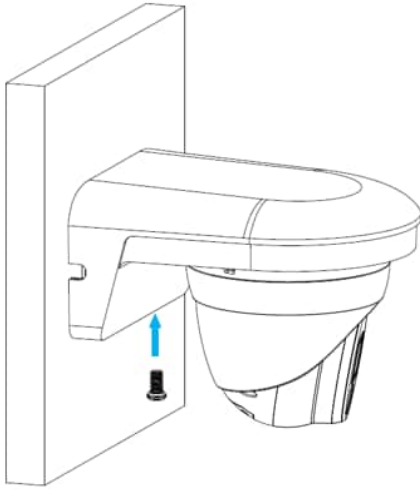
3. Fix the camera's collar onto GV-Mount215-1 with supplied screws.



4. Thread the camera's cables inside GV-Mount215-1 and mount the whole camera onto GV-Mount215-1.



5. Connect the cables from the side hole of UA-Mount215 and tighten the bottom screw to complete the installation.



4.5 Corner Mounting with GV-Mount311

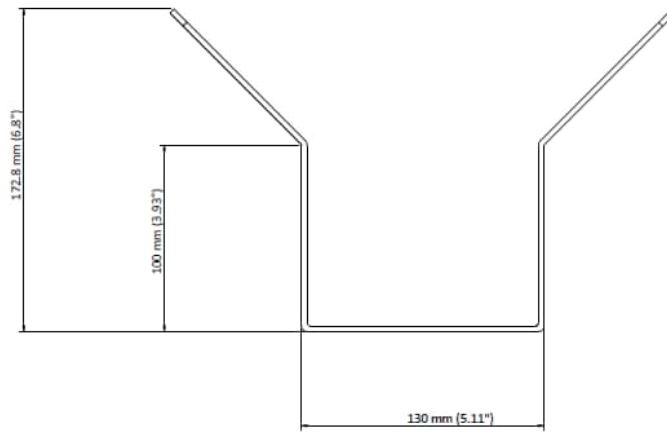
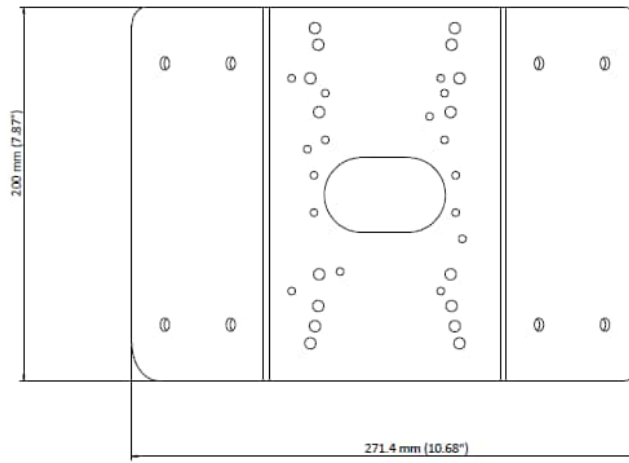


Packing List

1. GV-Mount311	2. Colloidal particle x 8
3. Long screw (35 mm) x 8	4. Socket screw (M6 x 16 mm) x 4
5. Spring washer (M6) x 4	6. Conical spring washer (M6) x 4
7. Socket screw (M4 x 16 mm) x 4	8. Spring washer (M4) x 4
9. Conical spring washer (M6) x 4	

Note: GV-Mount311 must be used with GV-Mount213-1.

Dimension

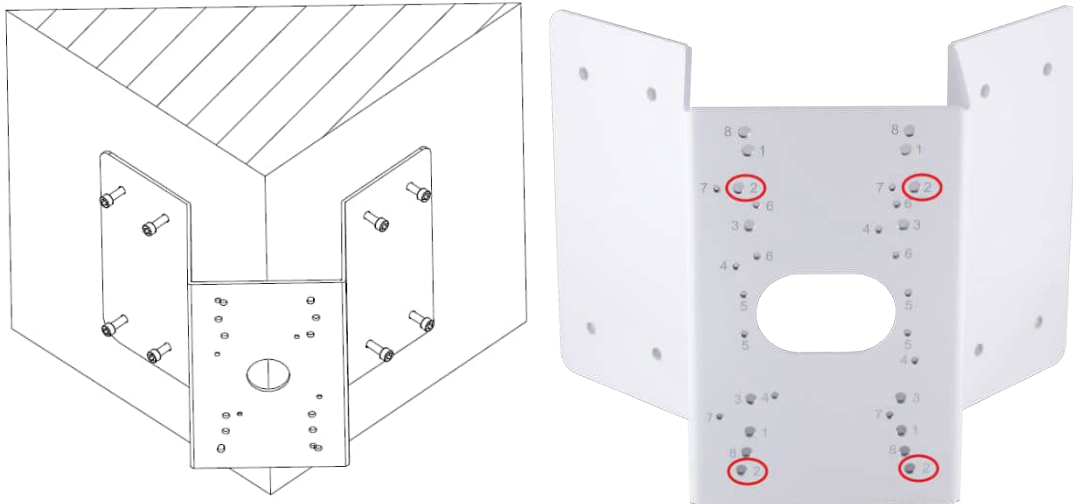


Applicable Models:

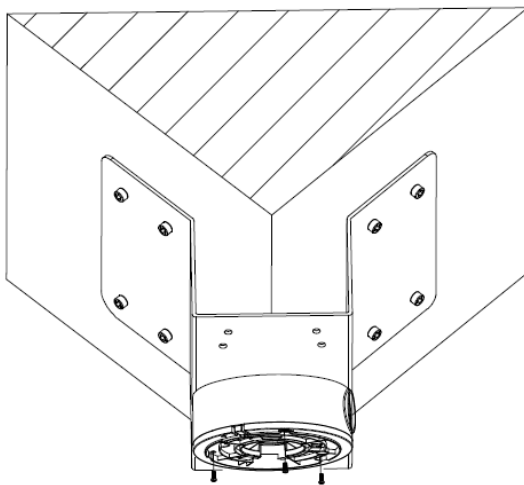
GV-REB5800

GV-Mount311 Installation

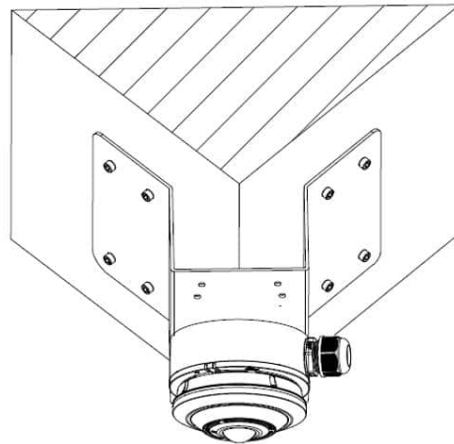
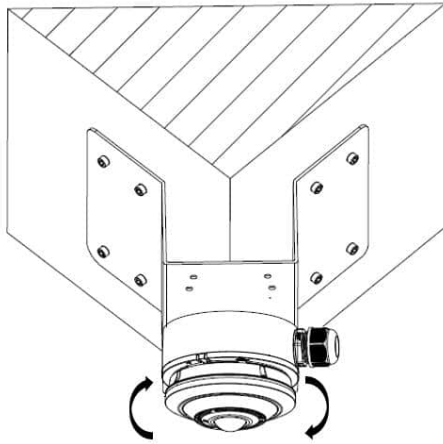
1. Refer to the installation method mentioned above, drill four holes on each side of the wall at the wall corners, hammer four colloidal particles into the drilled wall holes, and then align the GV-Mount311 (port #2 as indicated below) with the wall screw holes and tighten it with self-tapping screws.



2. Align the screw holes of GV-Mount213-1 base with the bracket screw holes, tighten the screws, and then install the adapter board onto GV-Mount213-1.



3. See Step 3 ~ 4 in 4.3 Wall Box Mounting with GV-Mount213-1 for the subsequent installation steps.



4.6 Wall Bracket Mounting with GV-Mount504-1

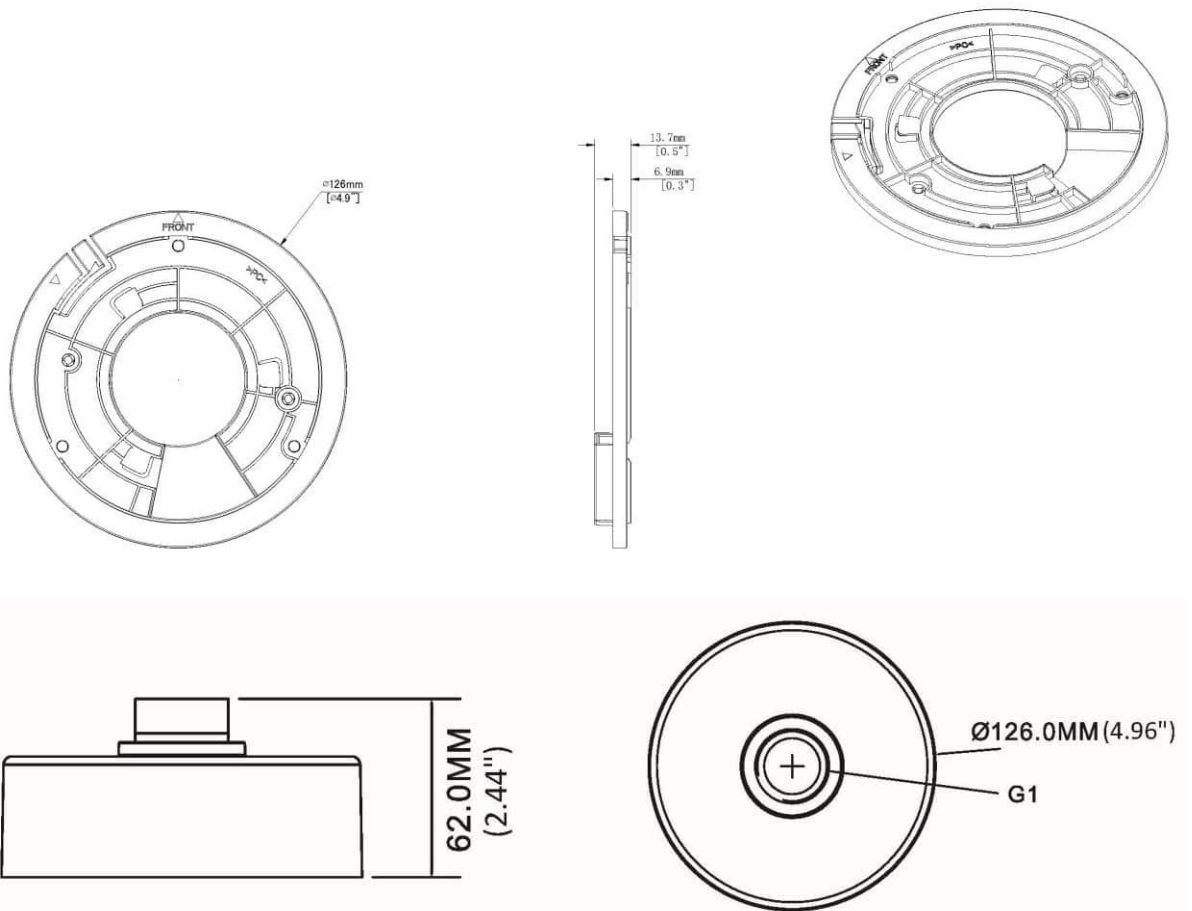


Packing List

1. GV-Mount504-1	2. Base x 1
3. Allen wrench x 1	4. Socket screw (14 mm) x 3

Note: GV-Mount504-1 must be used with GV-Mount108 or GV-Mount210-2.

Dimension

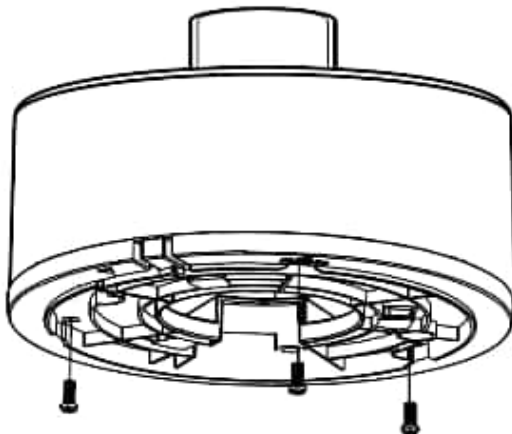


Applicable Models:

GV-RFER12700

GV-Mount108 + GV-Mount504-1 Installation

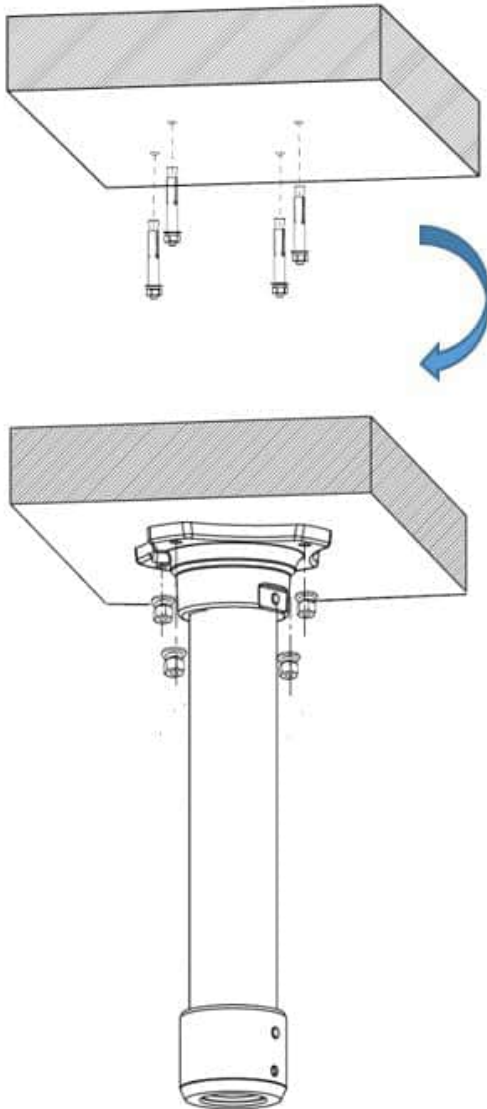
1. Install the fisheye camera adapter board onto the concealed wiring box.



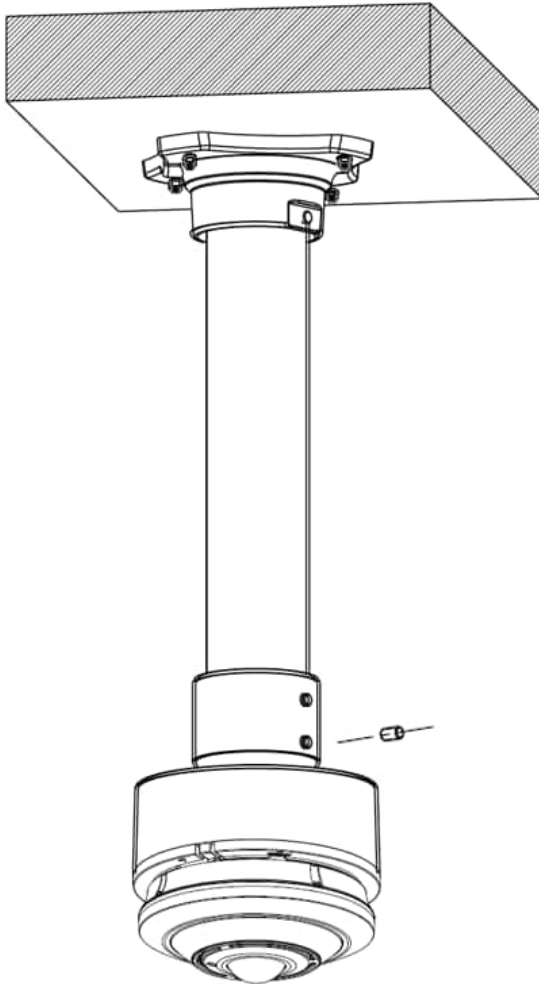
2. Thread the tail cable of the fisheye camera through the central hole of GV-Mount504-1 base. Rotate the camera clockwise to ensure that the latch on the bottom of the camera and the latch on the adapter board are fully engaged.



3. Drill four screw holes on the wall where installation is needed. Hammer four expansion screws into the drilled wall holes. Then, thread the main cable connector out from the center of the suspension rod. Align the suspension rod base with the four wall screw holes and tighten with screws.

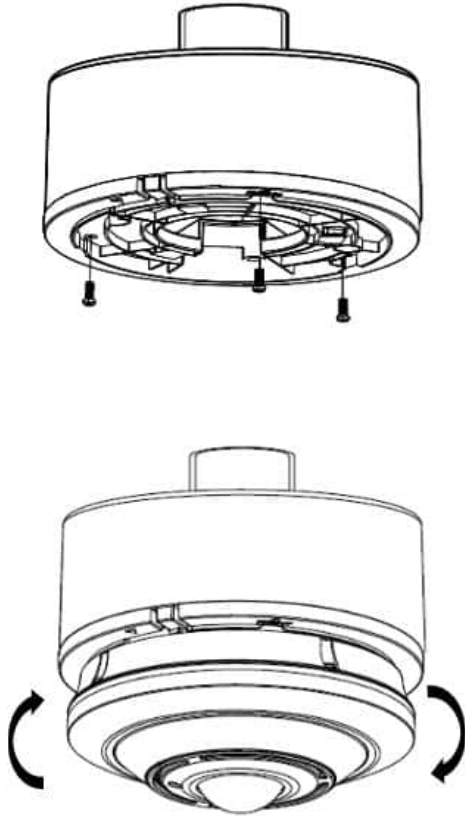


4. After connecting the main cable connector and fisheye camera tail cable, place them into the concealed wiring box. Then, insert the concealed wiring box bottom cover connector into the suspension rod interface and tighten the side machine screws. This completes the installation.

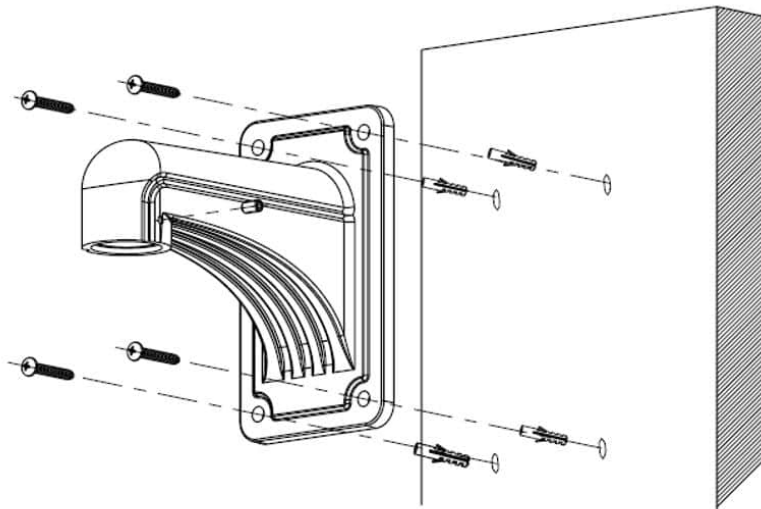


GV-Mount210-2 + GV-Mount504-1 Installation

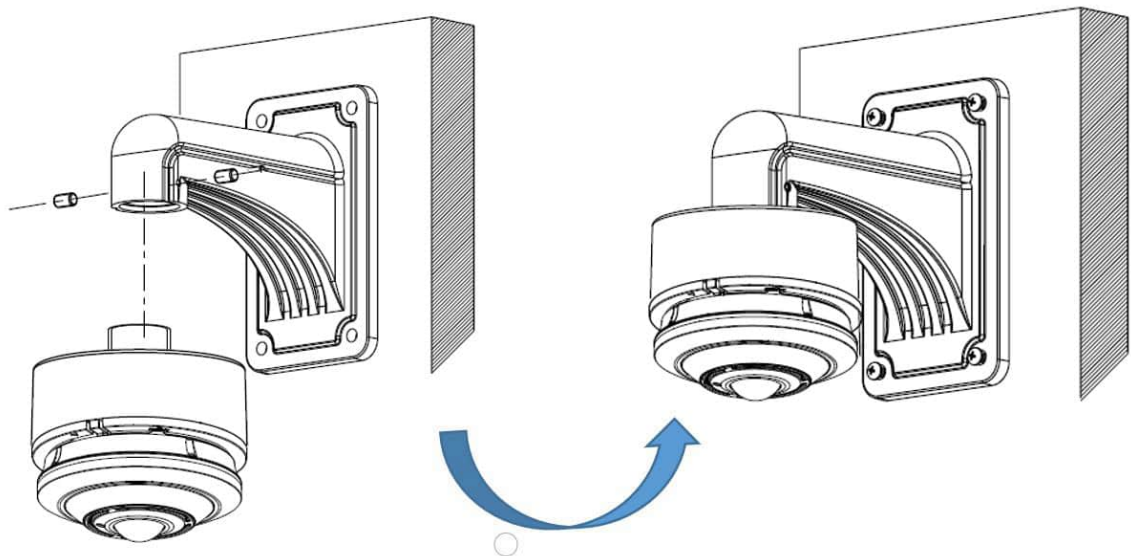
1. Install the fisheye camera adapter board onto the concealed wiring box. Thread the tail cable of the fisheye camera through the central hole of the concealed wiring box. Rotate the camera clockwise to ensure that the latch on the bottom of the camera and the latch on the adapter board are fully engaged (as shown in Figure 1).



2. Drill four screw holes on the wall where installation is needed. Hammer four expansion screws into the drilled wall holes. Then, thread the main cable connector out from the center of the bracket. Align the bracket base with the four wall screw holes and tighten with screws (as shown in Figure 2). If you are using self-tapping screws for installation, you need to first hammer four adhesive particles into the screw holes and then tighten the bracket with self-tapping screws.



3. After connecting the main cable connector and fisheye camera tail cable, place them into the concealed wiring box. Then, insert the concealed wiring box bottom cover connector into the bracket interface and tighten the machine screws on both sides. This completes the installation (as shown in Figure 3).



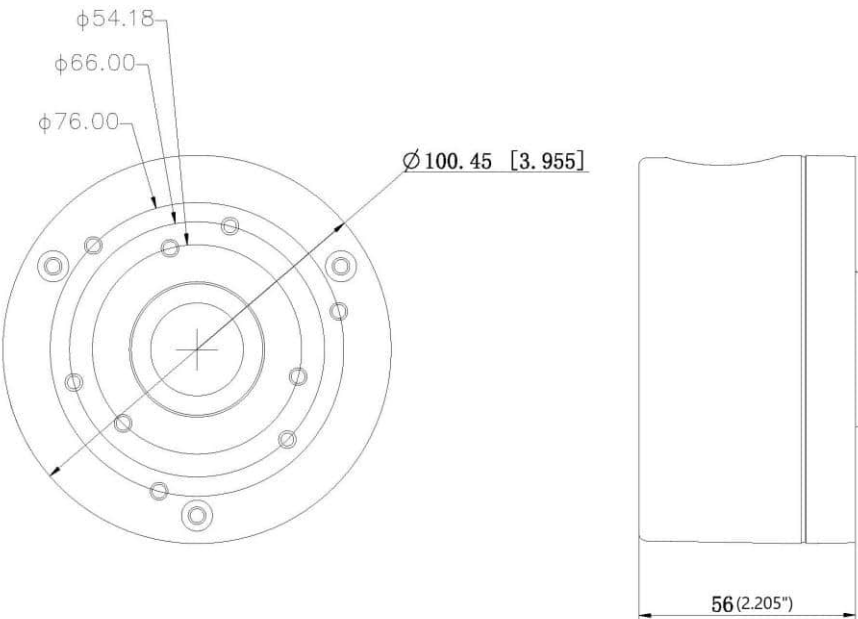
4.7 Wall Box Mounting with GV-Mount505



Packing List

1. GV-Mount505	2. Short screw (8 mm) x 3
3. Long screw (35 mm) x 3	4. Colloidal particle x 3
5. Allen wrench x 1	6. Screw waterproofing ring x 3
7. Waterproof joint rubber ring x 1	8. Waterproof connector x 1
9. Dill template paster	10. Installation instruction

Dimension

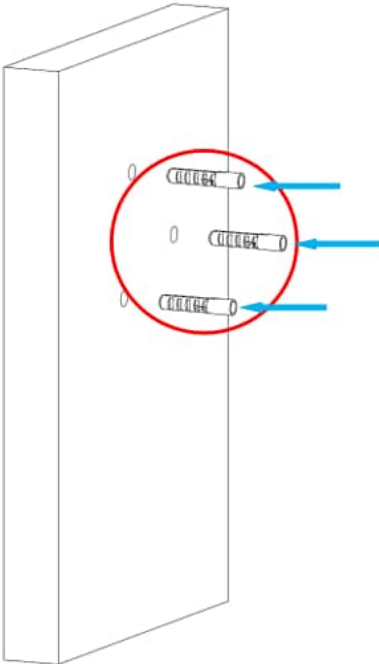


Applicable Models:

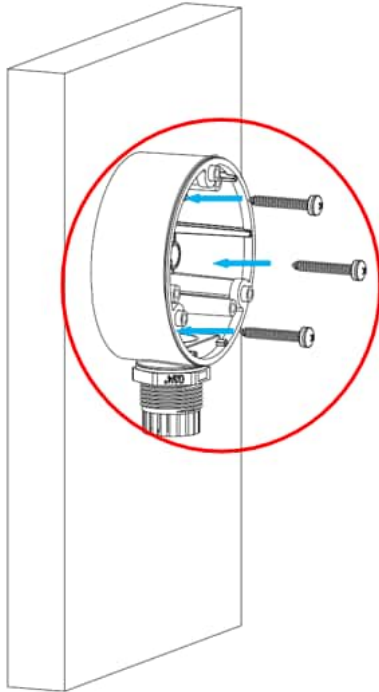
GV-RBL5800 / RBL5811

GV-Mount505 Installation

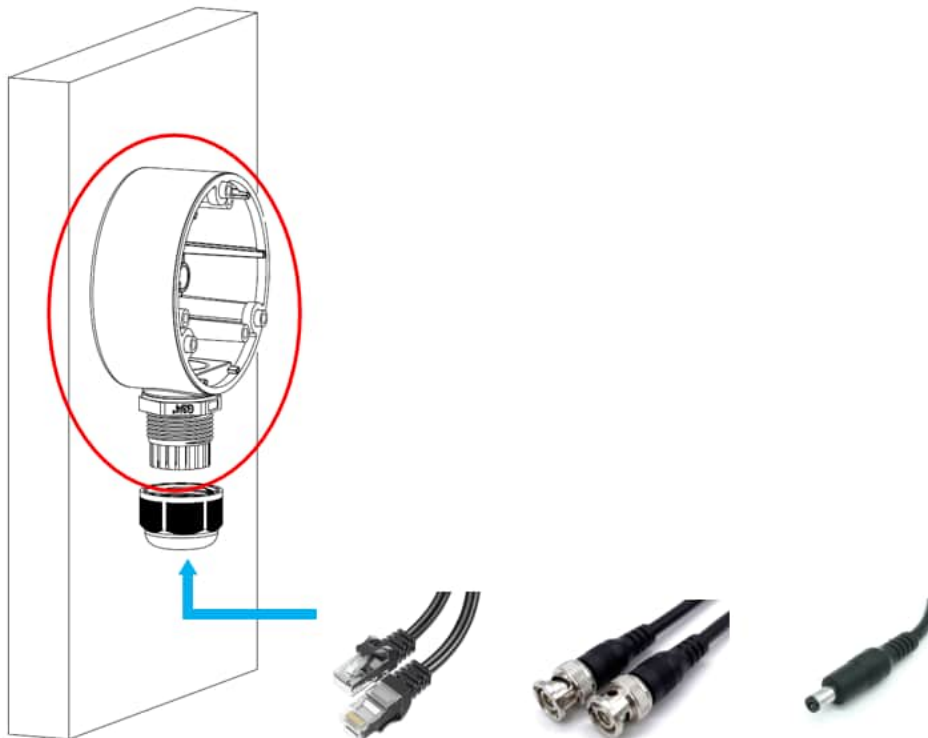
- 1. Drill holes according to the drill template paster on the wall and insert the colloidal particles.



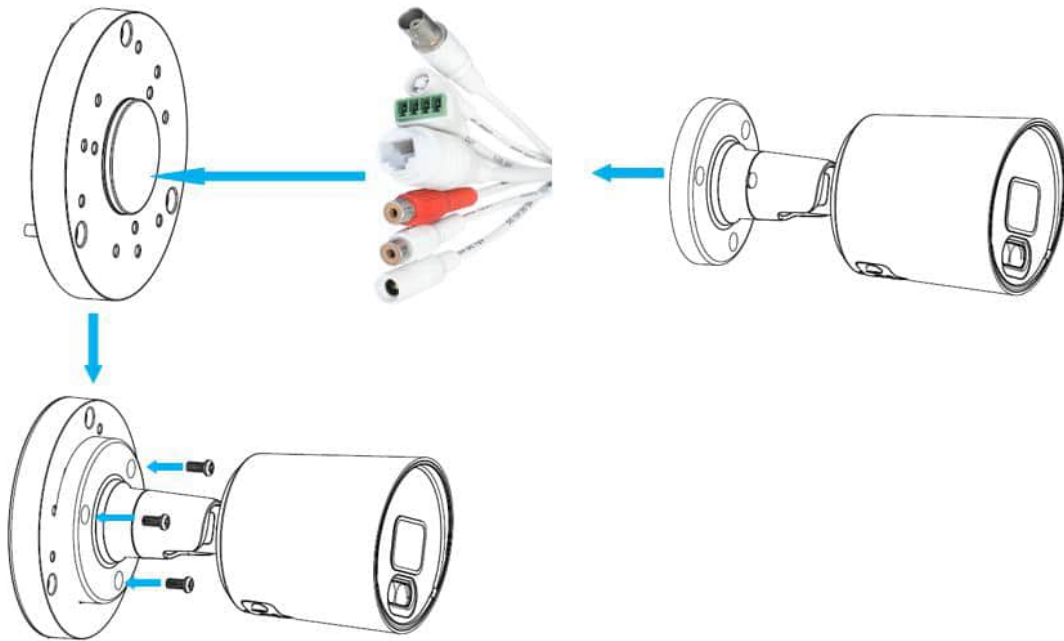
2. Secure the bottom of GV-Mount505 on the wall using the supplied screws.



3. Thread the necessary cables from the bottom hole of GV-Mount505.



4. Connect the camera's cables inside GV-Mount505 and fix the camera onto the upper part of GV-Mount505 using the supplied screws.



5. Assemble GV-Mount505 to complete the installation.

