

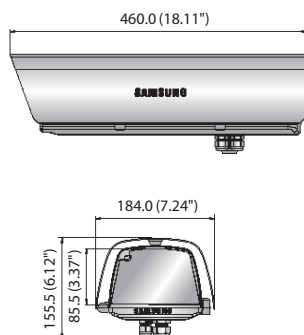
Fixed Housings

	SHB-4300H	SHB-4300H1	SHB-4300H2	SHB-4200	SHB-4200H	STH-200	
Open Type	Side open	Side open	Side open	Side open	Side open	Side open	
Cable Entry	Nylon gland	Nylon gland	Nylon gland	Nylon gland	Nylon gland	Nylon gland	
Operating Temperature	Set	-35°C ~ +50°C (-31°F ~ +122°F)	-50°C ~ +50°C (-58°F ~ +122°F)	-50°C ~ +50°C (-58°F ~ +122°F)	-15°C ~ +45°C (+5°F ~ +113°F)	-35°C ~ +50°C (-31°F ~ +122°F)	-15°C ~ +50°C (+5°F ~ +122°F)
	Heater	5°C ± 5°C on (1 x heater: 20W)	5°C ± 5°C on (2 x heater: 20W)	5°C ± 5°C on (2 x heater: 20W)	N/A	4°C ± 3°C on (1 x heater: 20W)	N/A
	Blower	+45°C ~ +5°C on (1 x blower: 2W)	+45°C ~ +5°C on (1 x blower: 2W)	+45°C ~ +5°C on (1 x blower: 5W)	N/A	+45°C ~ +5°C on (1 x blower: 1.6W)	N/A
Defroster	N/A	Always on (8W)	Always on (10W)	N/A	N/A	N/A	
Operating Humidity	0 ~ 90% RH	0 ~ 90% RH	0 ~ 90% RH	0 ~ 90% RH	0 ~ 90% RH	0 ~ 90% RH	
Materials	Aluminum	Aluminum	Aluminum	Aluminum	Aluminum	Aluminum	
Ingress Protection	IP66	IP66	IP66	IP66	IP66	N/A	
Dimensions (WxHxD)	External	184.0 x 127.0 x 460.0mm (7.24" x 5" x 18.11")	184.0 x 127.0 x 460.0mm (7.24" x 5" x 18.11")	184.0 x 127.0 x 460.0mm (7.24" x 5" x 18.11")	148.0 x 107.0 x 421.0mm (5.8" x 4.21" x 16.57")	148.0 x 107.0 x 421.0mm (5.83" x 4.21" x 16.57")	118.0 x 92.0 x 405.0mm (4.65" x 3.62" x 15.94")
	Internal	91.0 x 78.0 x 190.0mm (3.58" x 3.07" x 7.48")	91.0 x 78.0 x 190.0mm (3.58" x 3.07" x 7.48")	91.0 x 78.0 x 190.0mm (3.58" x 3.07" x 7.48")	84.0 x 78.0 x 230.0mm (3.31" x 3.07" x 9.06")	84.0 x 78.0 x 230.0mm (3.31" x 3.07" x 9.06")	60.0 x 73.0 x 320.0mm (2.36" x 2.87" x 12.6")
Weight	3.5Kg (7.72 lb)	3.7Kg (8.16 lb)	3.7Kg (8.16 lb)	1Kg (2.2 lb)	1.1Kg (2.3 lb)	1Kg (2.2 lb)	
Input Voltage	24V AC	24V AC	230V AC	N/A	24V AC	N/A	
Power Consumption	25W	55W	55W	N/A	21.6W	N/A	
Color	Ivory	Ivory	Ivory	Ivory	Ivory	Ivory	
Applicable Model	Box cameras (Network / Analog)	Box cameras (Network / Analog)	Box cameras (Network / Analog)	Box cameras (Network / Analog)	Box cameras (Network / Analog)	Box cameras (Network / Analog)	
Certification	CE (Class A)	CE (Class A)	CE (Class A)	N/A	N/A	N/A	

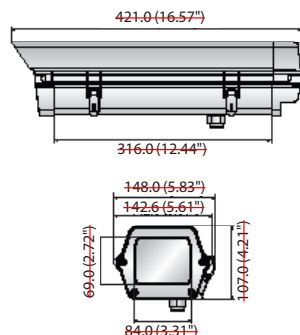
* The latest product information / specification can be found at hanwha-security.com

Dimensions

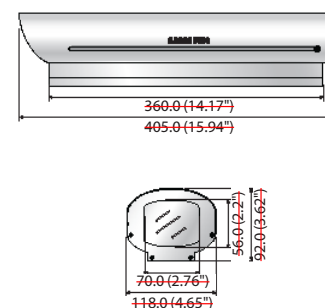
Unit : mm (inch)



SHB-4300H/4300H1/4300H2



SHB-4200/4200H



STH-200

NETWORK CAMERA
NVR
NETWORK PERIPHERAL
ANALOG CAMERA
DVR
LENS
PERIPHERAL
MONITOR
CONTROLLER