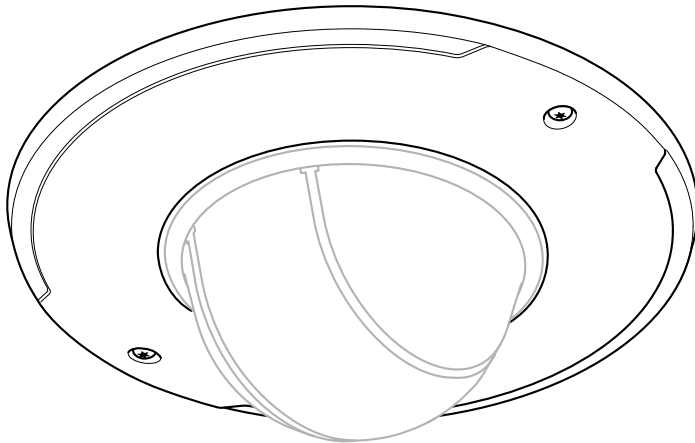
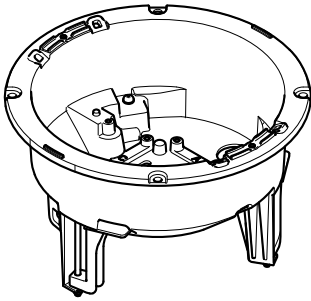
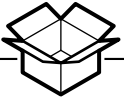


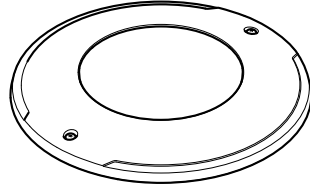
AXIS TQ3204-E Recessed Mount



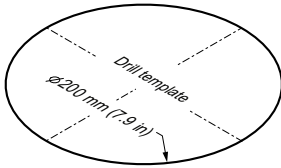
Installation guide
Guide d'installation
Installationsanleitung
Guida all'installazione
Guía de instalación
インストールガイド
Guia de instalação
Руководство по установке
설치가이드
安装指南
Panduan instalasi



1x



1x

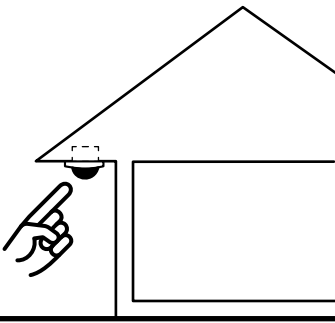


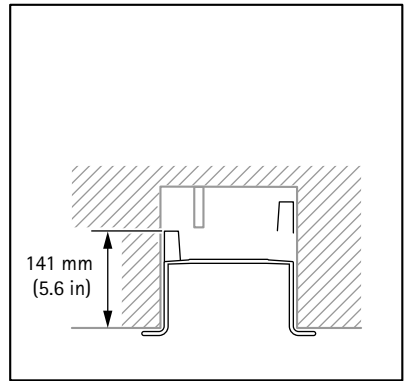
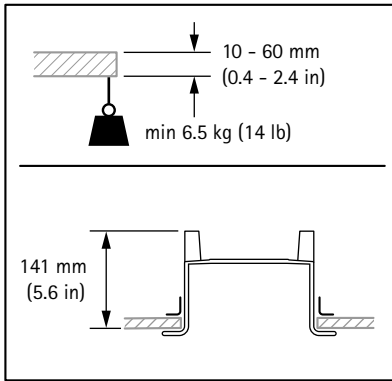
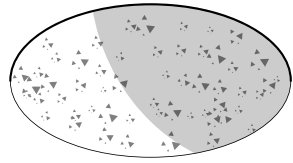
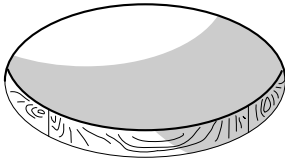
1x

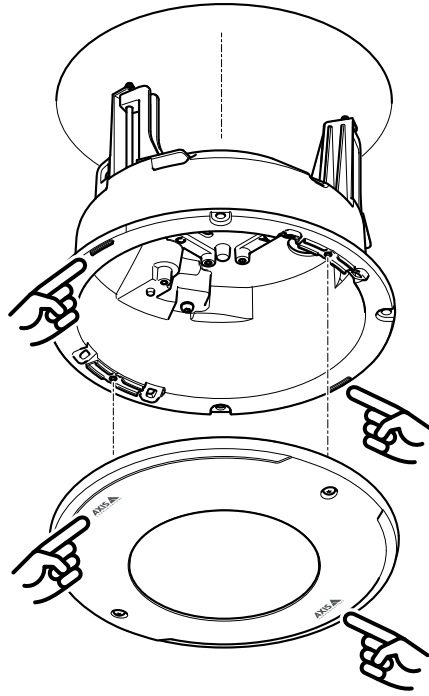


2x

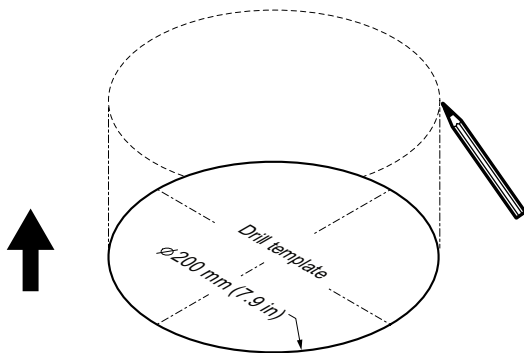
i



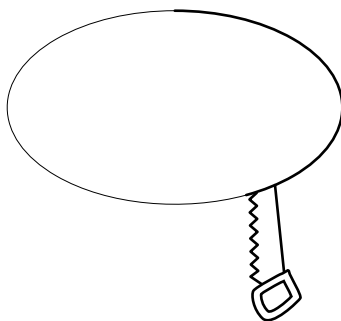




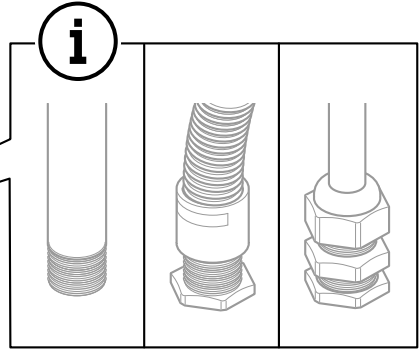
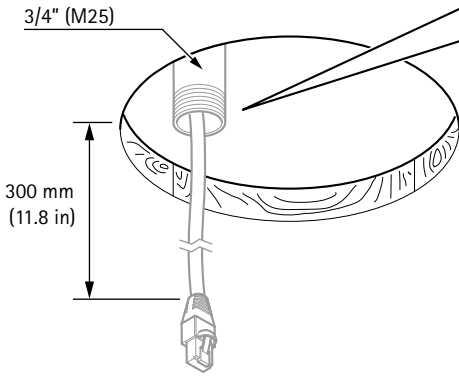
1.1



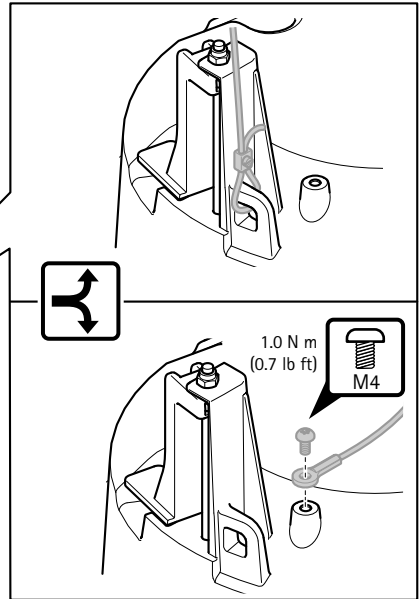
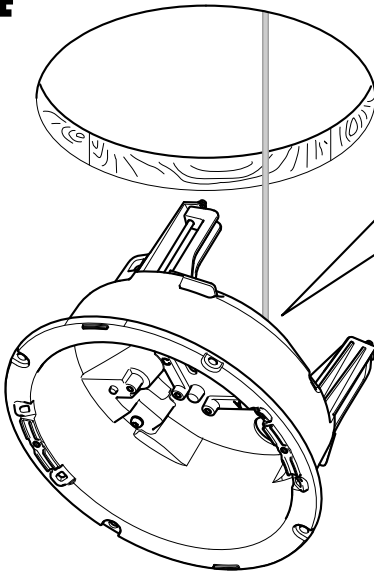
1.2



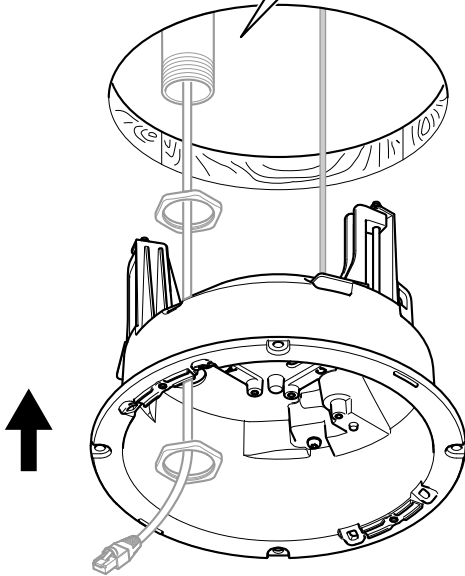
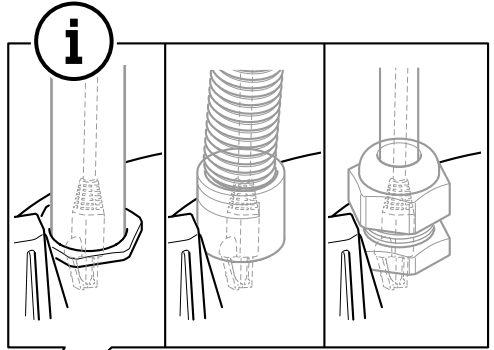
1.3

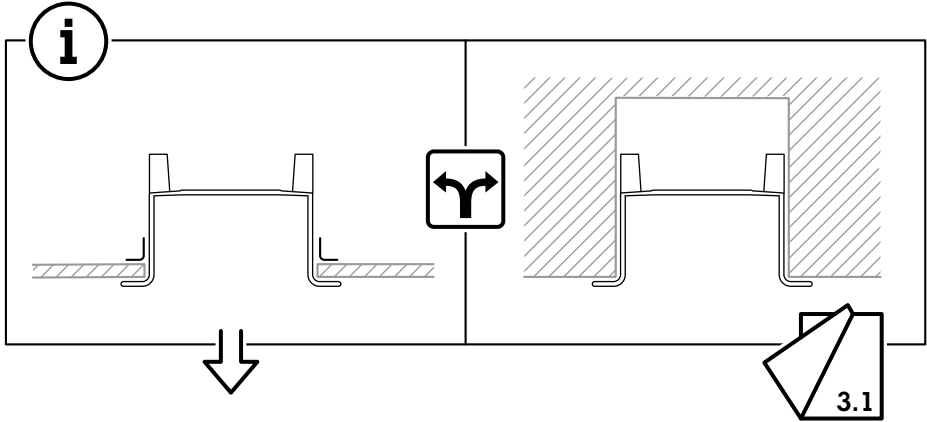


1.4

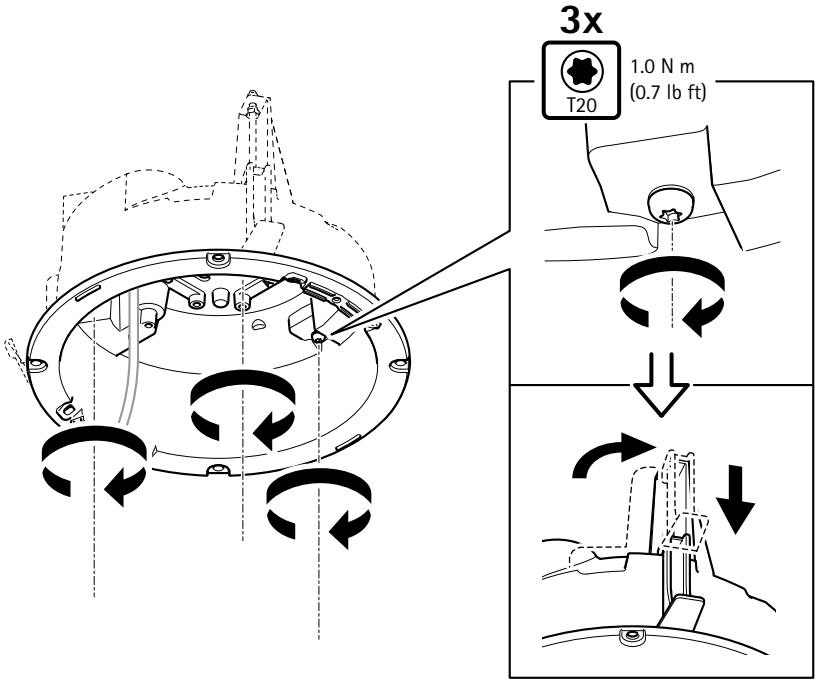


1.5

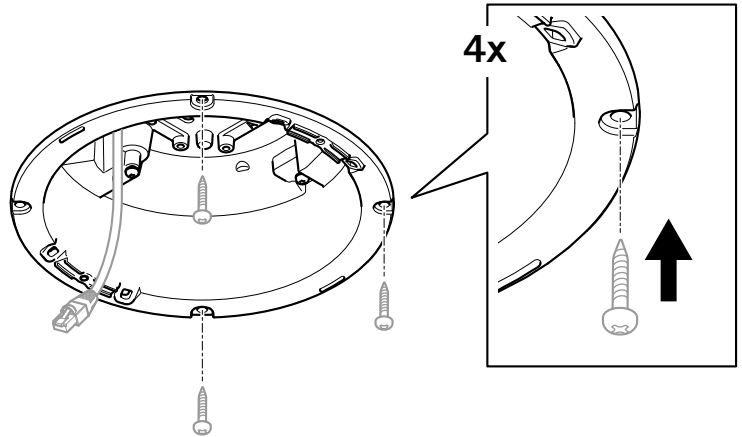




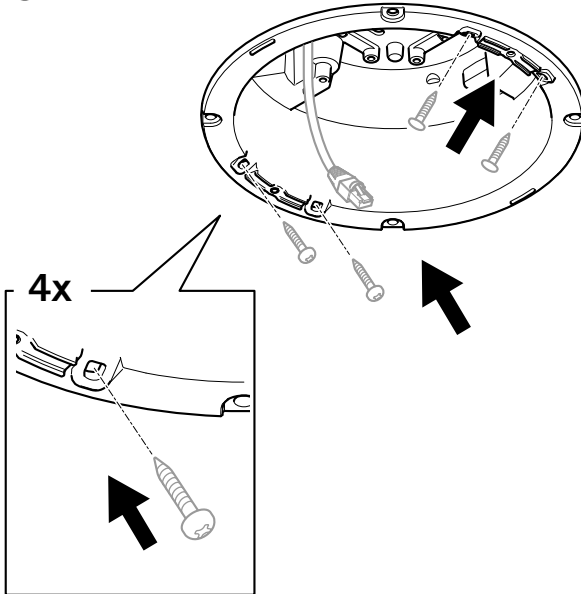
2.1



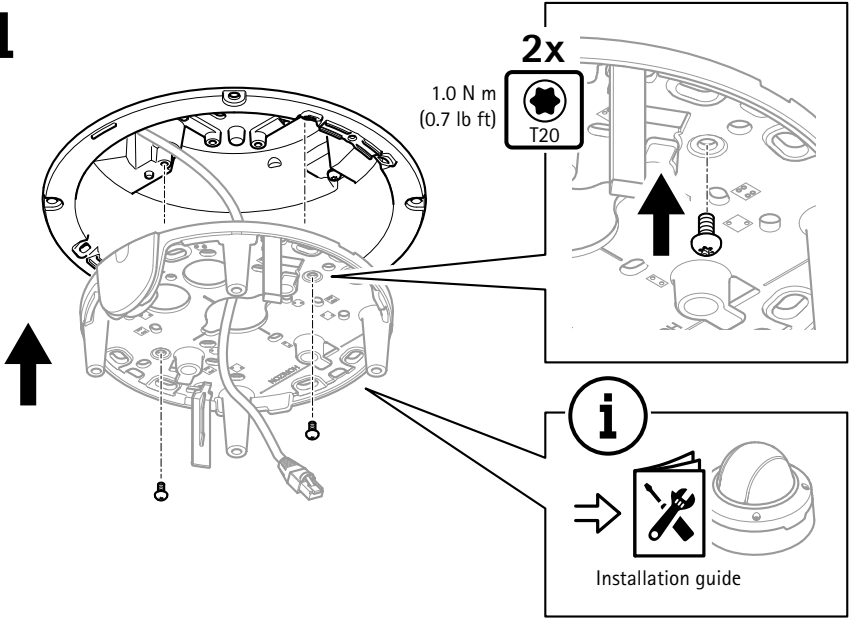
2.2



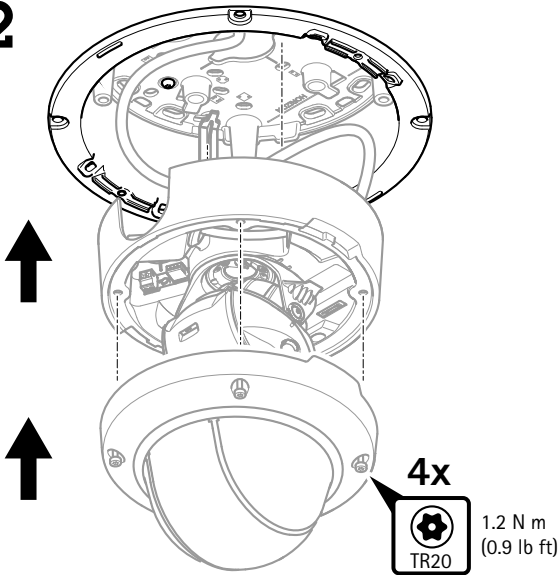
3.1



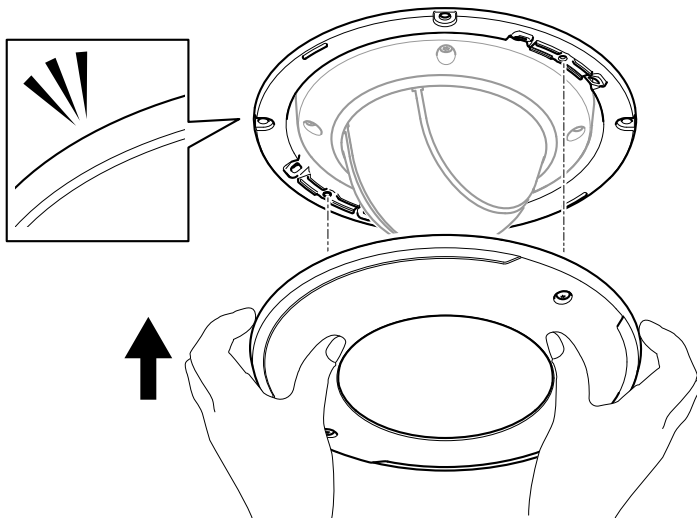
4.1



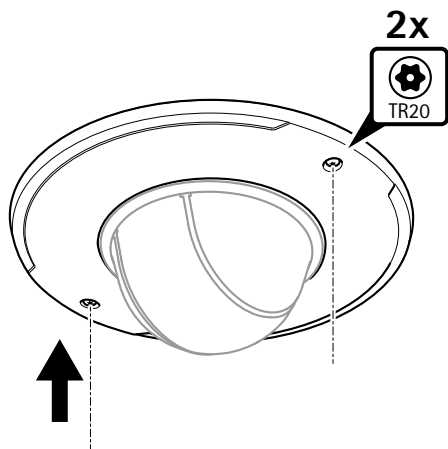
4.2



4.3



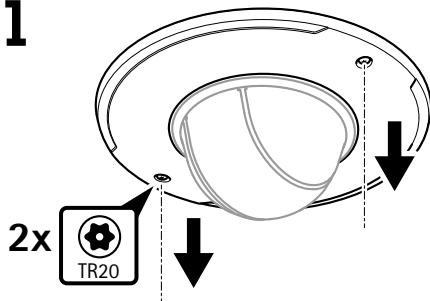
4.4



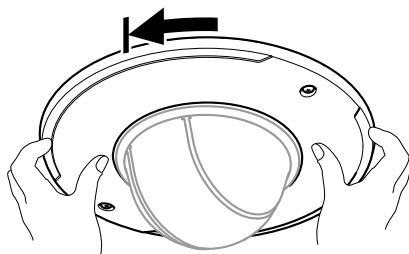
i



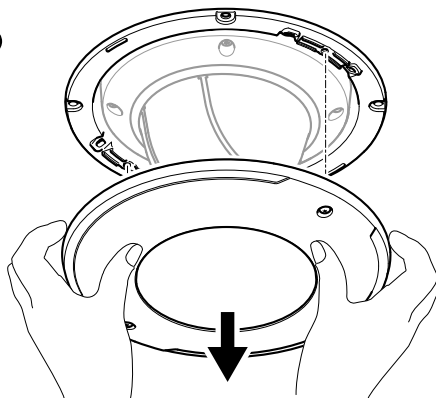
5.1



5.2



5.3





3163667

2024-10 (M2.2)

© 2024 Axis Communications AB