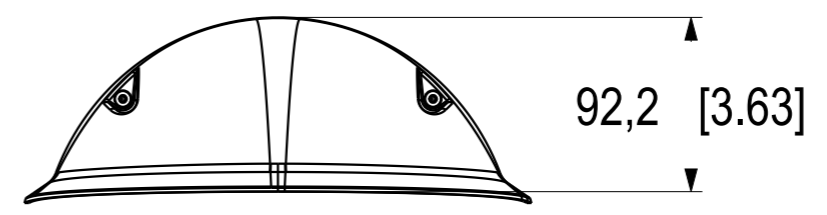
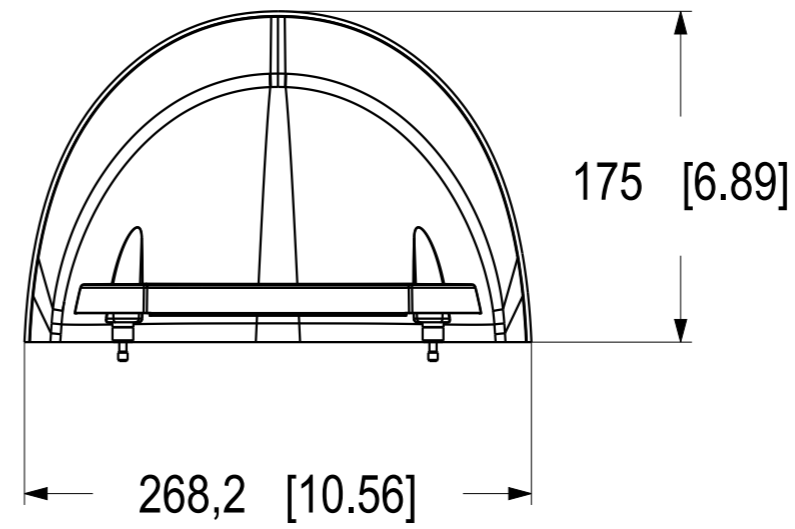
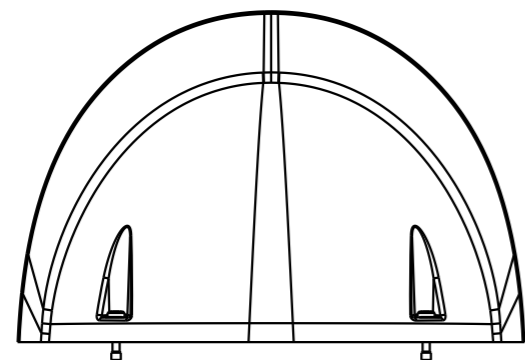
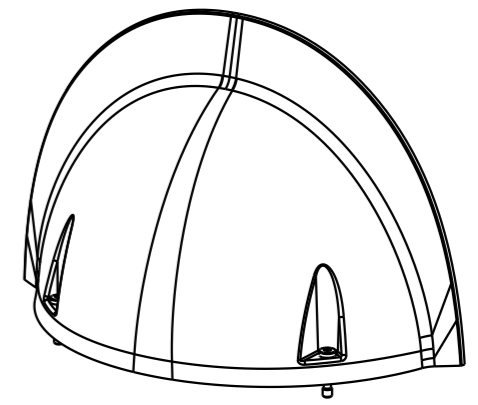
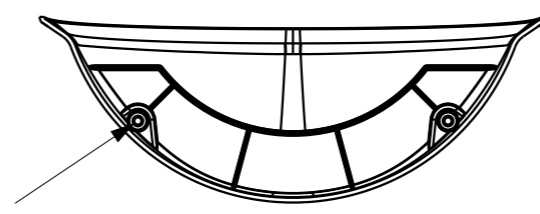


∅ 5,6 [0.22] (2x)



Date	Version	Scale
2025 Apr-24	M1.1	1:4
Drawing Number	Size	Sheet
3329078	A3	1(1)