



AXIS TQ5301-E Corner Mount

Repainting instructions

Impact on warranty

This product is approved for repaint by Axis, provided that you follow the instructions in this document and at axis.com/warranty-implication-when-repainting.

Risks with repainting

There are several risks when disassembling or assembling an Axis product. Training of operators and the use of correct tools mediates some of the problems but they can never be fully avoided. Some of the risks include:

ESD Damage – Always handle the product in an ESD safe environment. Even if precautions are taken there is always a risk of ESD damage. The damage can remain undetected and cause problems during the lifetime of the equipment.

Paint overspray – Masking the different components of the equipment is critical. Failure to mask sensitive areas can cause problems when assembling the equipment. Areas not painted at the factory or which have a different surface treatment than the parts to be painted (threads, ground and electrical contact surfaces) must also be masked to ensure function.

Repaint the product

Preparations

- If applicable, disassemble the device according to the instructions in this document.
- Clean all parts that will be repainted thoroughly to remove grease, dust, or oil.

Pretreatment of parts

Depending on the part material and type of coating applied at the factory, pretreatment might be necessary for the new coating to adhere well. Before you apply a new coating, we recommend the following pretreatment:

1. If necessary, roughen up the surface with a light sandpaper or similar to increase adhesion. Alternatively, remove the original coating down to the base material.
2. Clean the parts properly to remove oil, grease, and dust.
3. If necessary, apply a primer layer suitable for the specific material, to increase adhesion to the parts. For metal parts on outdoor products, we recommend a primer to improve corrosion resistance.

We recommend pretreatment of parts that are:

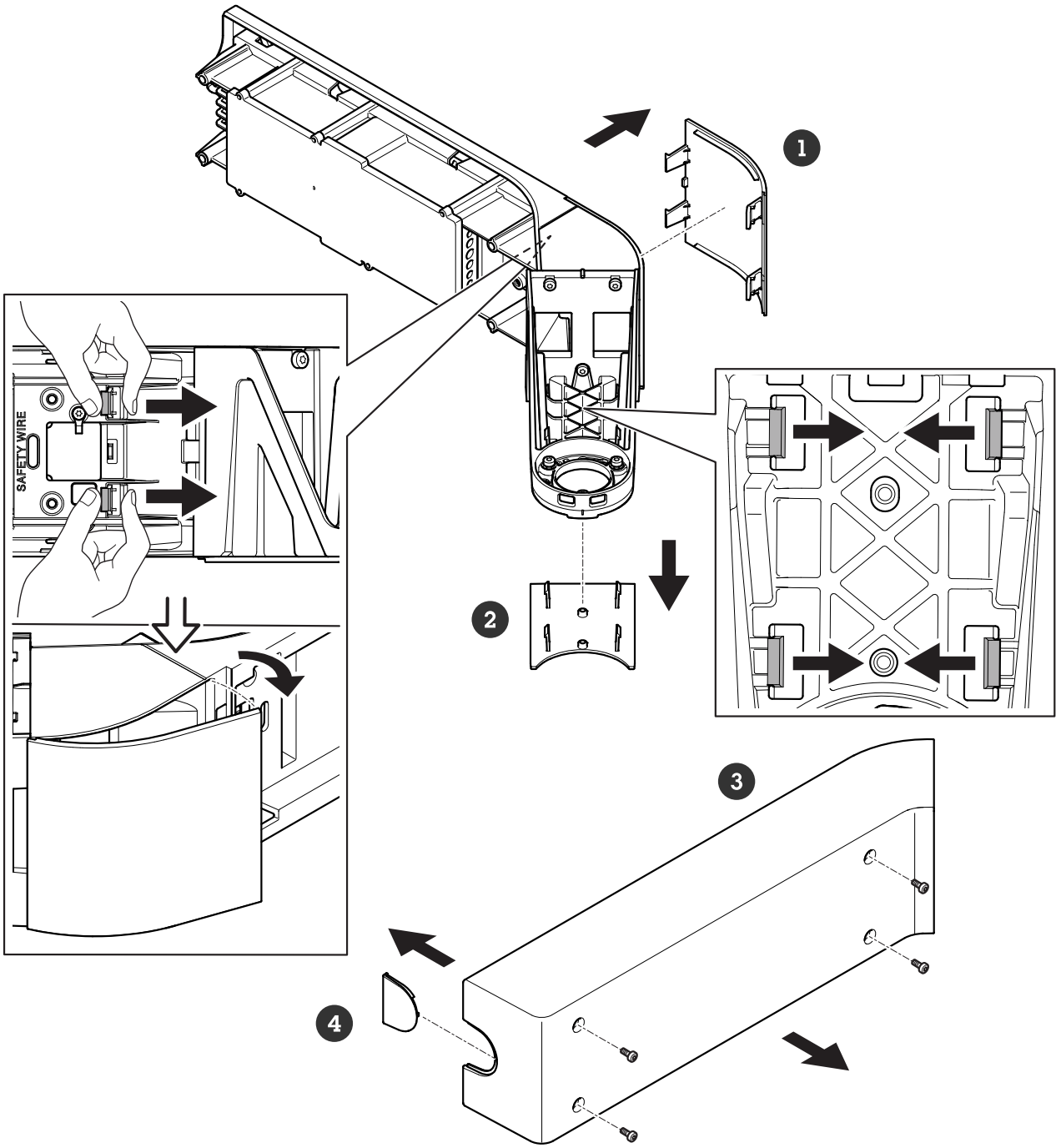
- powder-coated
- wet-painted
- anodised
- chromated
- stainless steel
- other metal
- plastic

The material used in the product is Makrolon 6487 RE.

Disassembly

Remove:

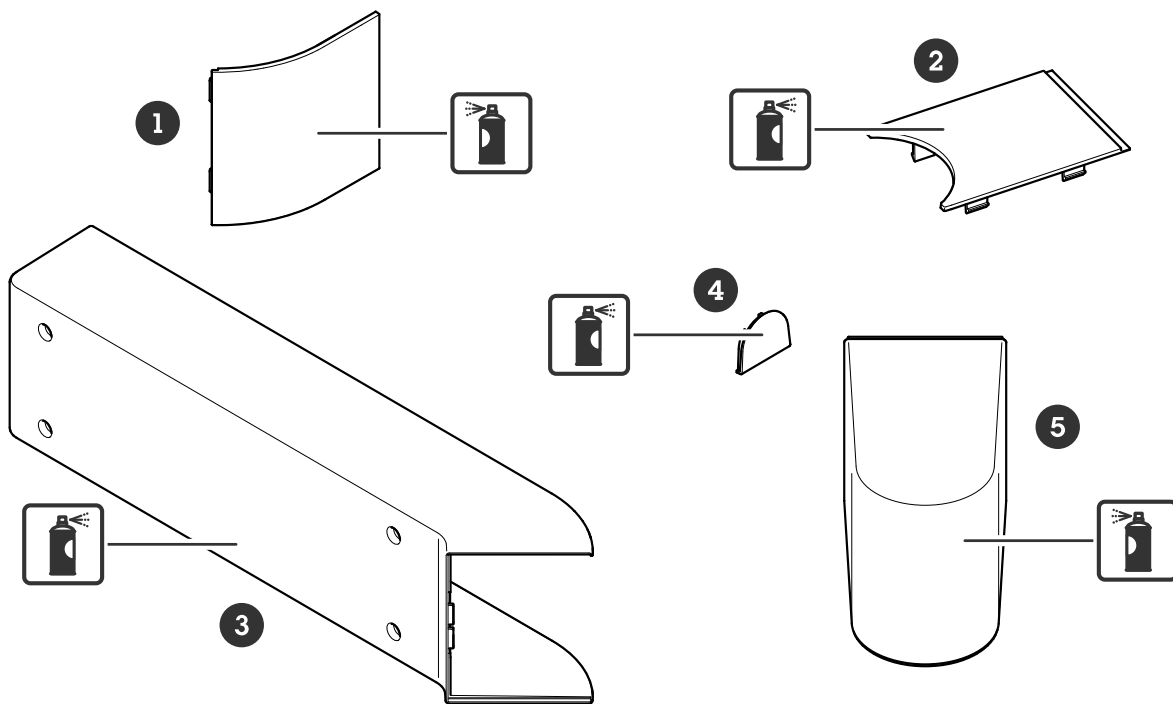
1. The main cover.
2. The screws and springs from the main cover.
3. The cover conduit from the main cover.
4. The back cover of the unit by releasing it from the two snap-fits inside.
5. The bottom cover of the unit by releasing it from the four snap-fits inside.



- 1 Back cover
- 2 Bottom cover
- 3 Main cover
- 4 Cover conduit

Repainting

1. Make sure all necessary preparations of the top cover have been made, see *Preparations*, on page .
2. Apply a thin and even layer of spray paint according to the instructions of the paint manufacturer.



- 1 Back cover
- 2 Bottom cover
- 3 Main cover
- 4 Cover conduit
- 5 Outer cover

- 3. Let the paint dry.
- 4. Apply a second layer of spray paint to get a better coverage and clearer color.
- 5. Reassemble the product when the paint is dry.

Reassembly

Attach:

- 1. The bottom cover to the unit.
- 2. The back cover to the unit.
- 3. The cover conduit to the main cover.
- 4. The outer cover to the unit.
- 5. The main cover, springs, and screws.

T10231354

2025-09 (M1.6)

© 2025 Axis Communications AB