



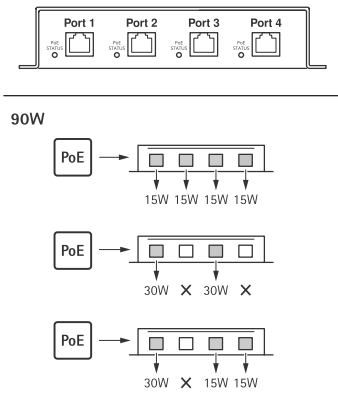
AXIS TU8011 4-port PoE Extender

User manual

AXIS TU8011 4-port PoE Extender

Power output options

Power output options



AXIS TU8011 4-port PoE Extender

Troubleshooting

Troubleshooting

LED indicators

POWER ON STATUS		
Color	State	Indication
Green	Solid	Internal power converter on and ready to apply power to output ports
Green	Flashing	Internal power converter in light load condition

LINK: link speed		
Color	State	Indication
Amber	Solid	100M/1000M link speed
Amber	Off	10M link speed

ACT: activity		
Color	State	Indication
Green	Solid/flashing	Data transmission in progress

PoE PSE POWER IN		
Color	State	Indication
Green	Solid	Power over Ethernet (PoE) 802.3bt Type 4 Class 8 power sourcing equipment connected

PoE STATUS		
Color	State	Indication
Green	Solid	Valid Power over Ethernet (PoE) IEEE 802.3af/at PD detected
Green	Flashing	Standing by
Red	Solid	Overload/overcurrent detected
Red	Flashing	Invalid Power over Ethernet (PoE) IEEE 802.3af/at PD detected

Technical issues, clues, and solutions

Problems turning on the camera

Compatibility issue	Make sure the camera is compatible with the PoE extender. For a list of compatible products, see the PoE extender's product page at axis.com
LLDP protocol	Turn off LLDP. In the camera's web interface, go to System > Plain config , select group Network , and clear LLDP Send Max PoE .

