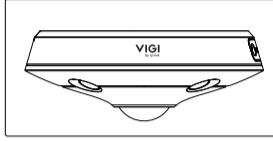


Installation Guide

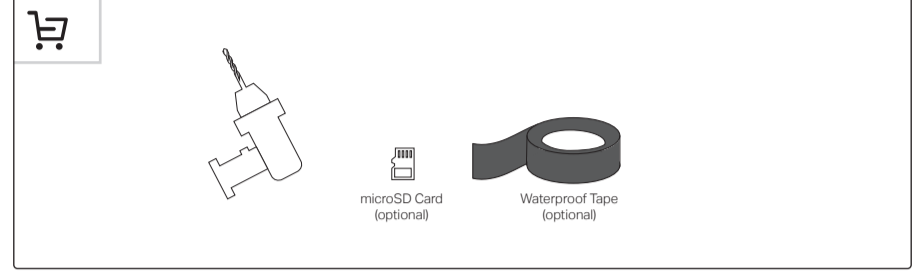
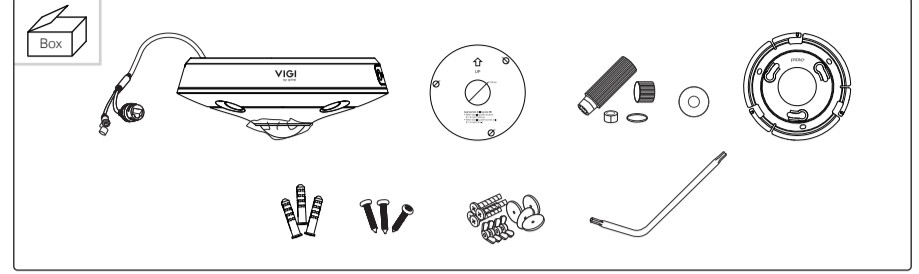
InSight Series Fisheye Network Camera

*Images may differ from actual products.
InSight S6551 is used for demonstration in this guide.

©2025 TP-Link 7106512077 REV1.1.0

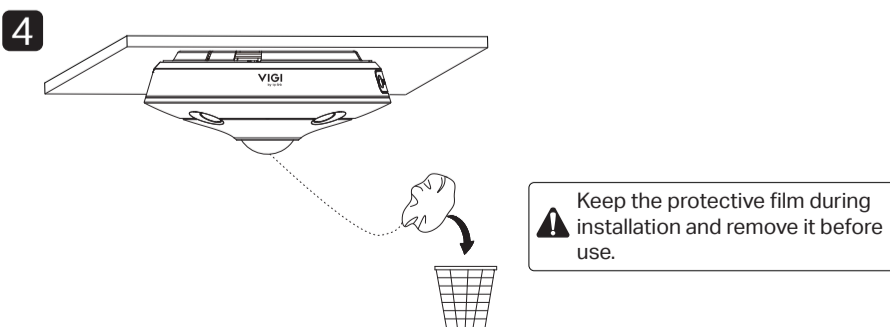
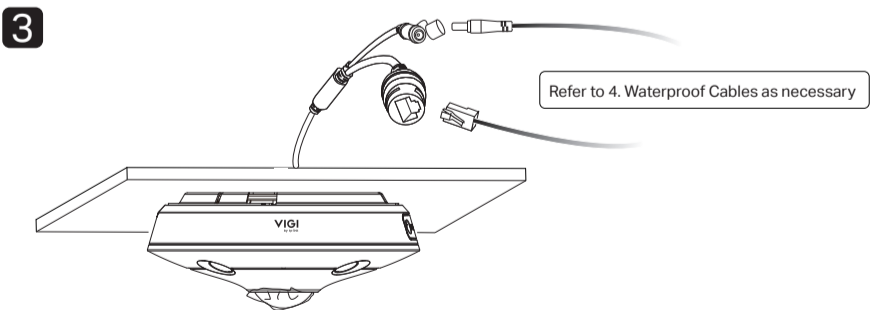
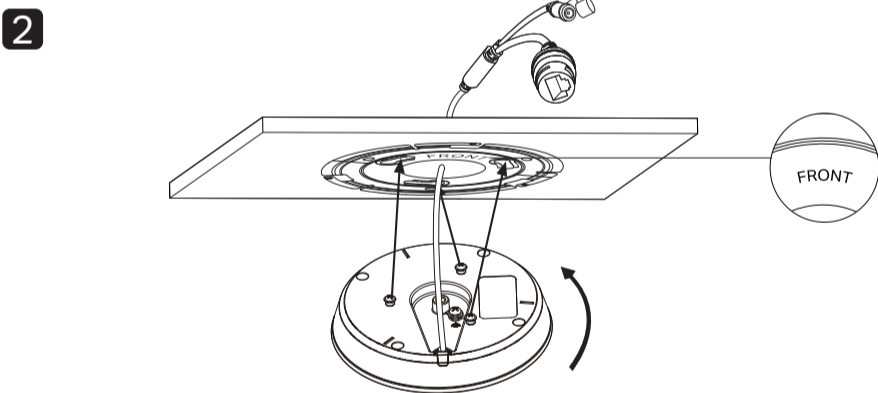
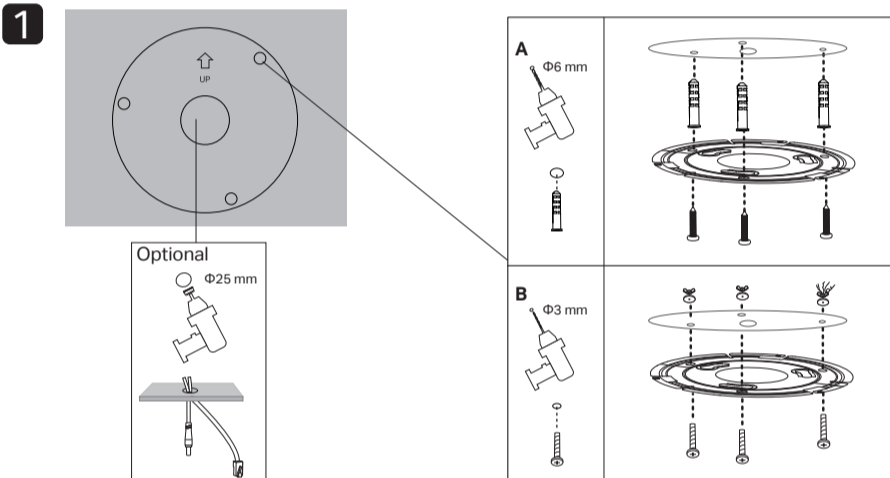
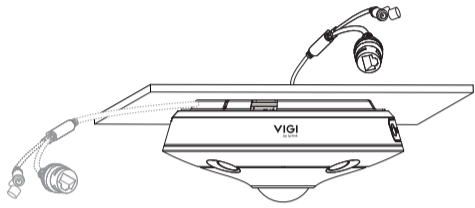


1. Get Ready

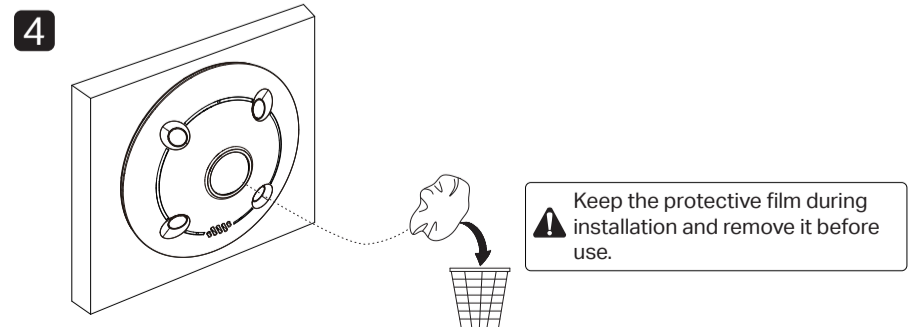
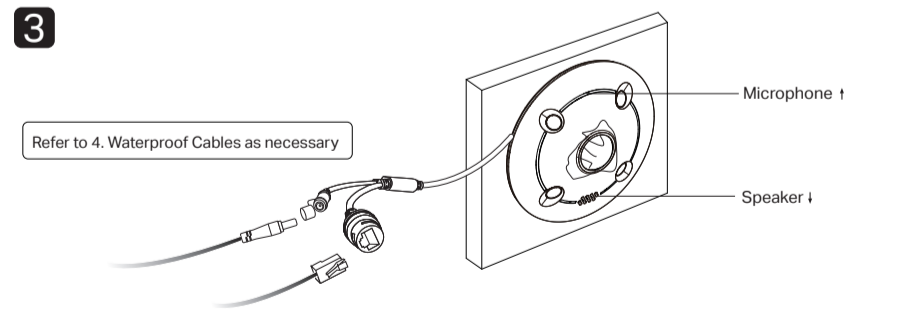
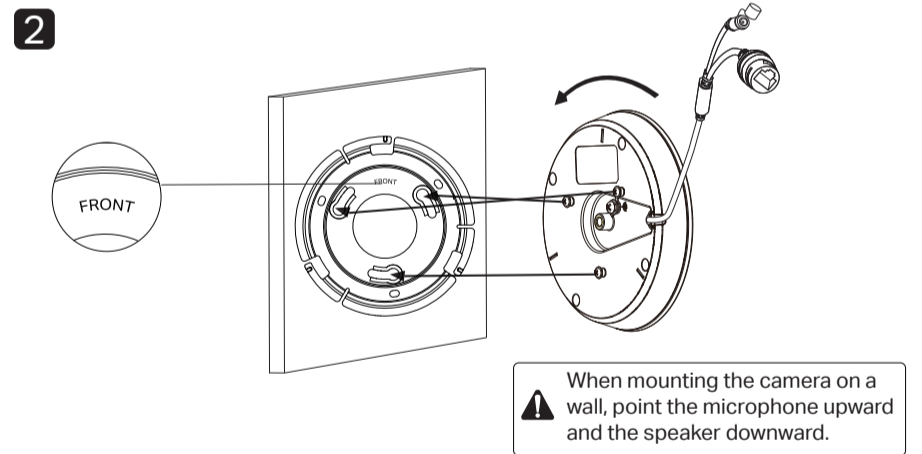
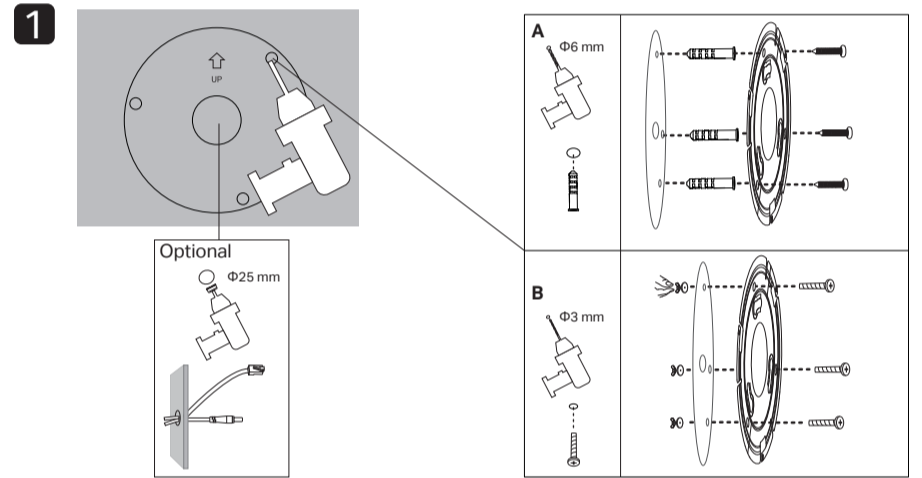
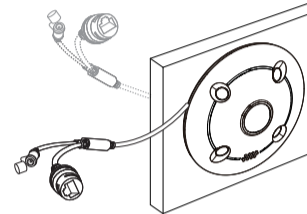


2. Mount Camera

Option 1

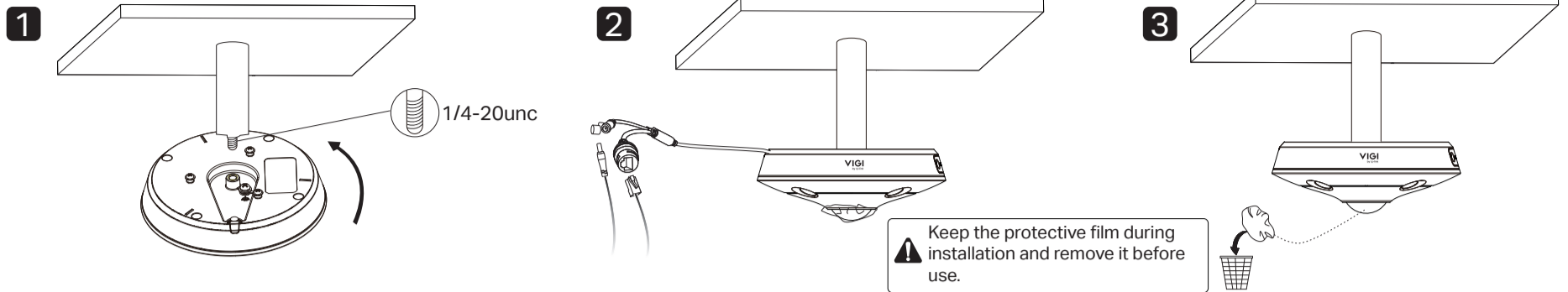


Option 2

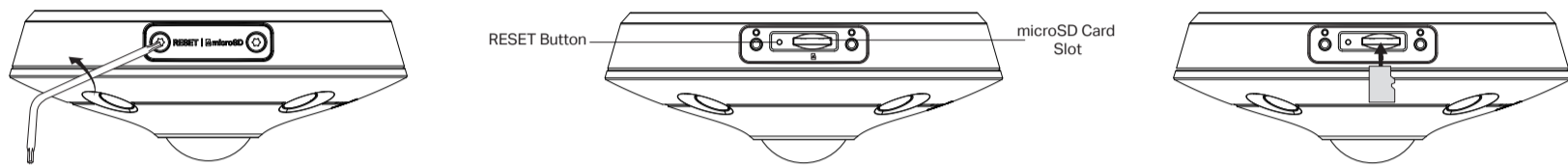


2. Mount Camera

Option 3

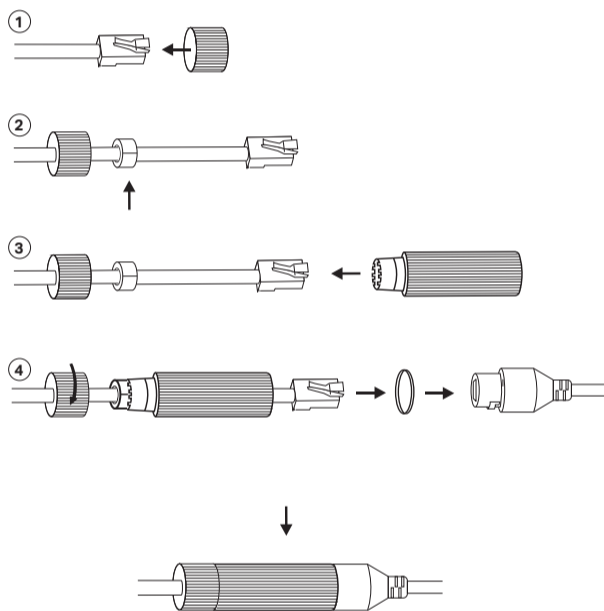


3. Install microSD Card (Optional)

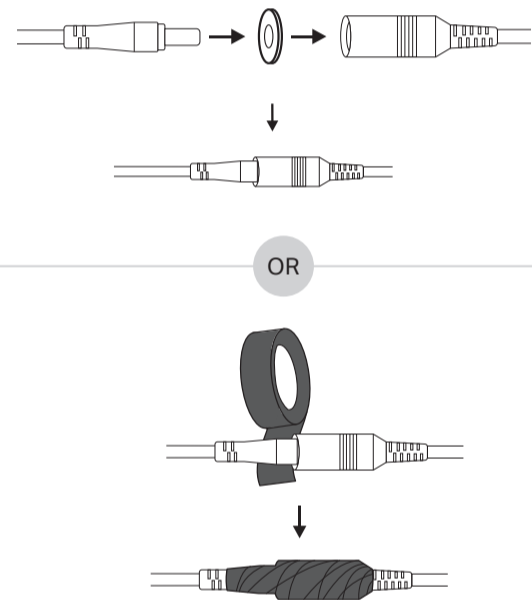


4. Waterproof Cables (Optional)

For Ethernet Cable



For Power Cord



5. Activate and Access Camera

Via TP-Link VIGI App



More Information

- Web configuration: The default web login address is <https://192.168.0.60>.
- For more details on installation and setup, scan the following QR codes:



Setup Video



Quick Start Guide

Usage Tips:

- Make sure your power supply matches your camera. The power source should comply with Power Source Class 2 (PS2) or Limited Power Source (LPS) of IEC 62368-1.
- Make sure that the wall is strong enough to withstand 4 times the weight of the camera and mounting bracket.
- If you are uncertain or uncomfortable performing the installation, consult a qualified electrician.

Safety Information

- Do not use any other chargers than those recommended.
- Do not use damaged charger or USB cable to charge the device.
- Do not attempt to disassemble, repair, or modify the device. If you need service, please contact us.
- Adapter shall be installed near the equipment and shall be easily accessible.
- Keep the device away from fire or hot environments. DO NOT immerse in water or any other liquid.

EU Declaration of Conformity

TP-Link hereby declares that the device is in compliance with the essential requirements and other relevant provisions of directives 2014/30/EU, 2014/35/EU, 2009/125/EC, 2011/65/EU and (EU)2015/863.

The original EU Declaration of Conformity may be found at <https://www.tp-link.com/en/support/ce/>

UK Declaration of Conformity

TP-Link hereby declares that the device is in compliance with the essential requirements and other relevant provisions of the Electromagnetic Compatibility Regulations 2016 and Electrical Equipment (Safety) Regulations 2016.

The original UK Declaration of Conformity may be found at <https://www.tp-link.com/support/ukca/>