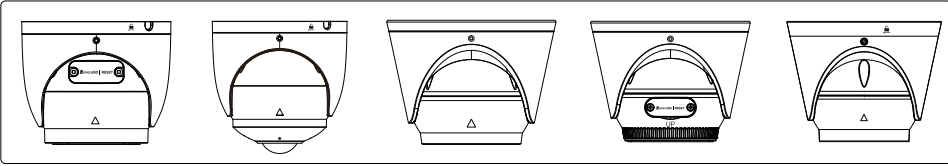


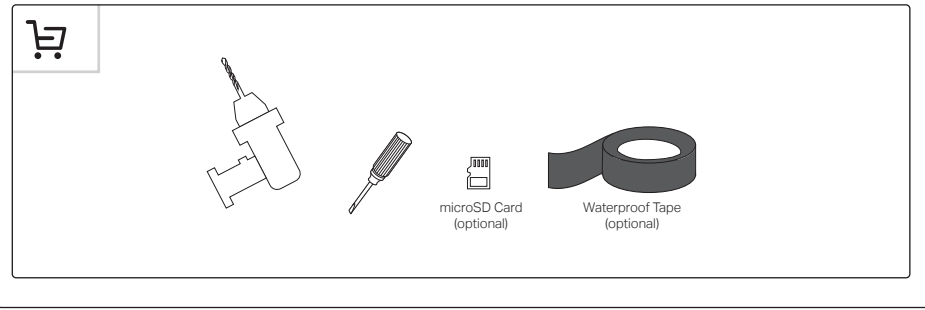
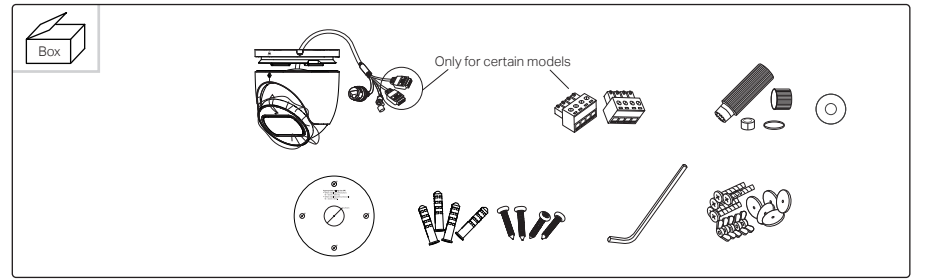
Installation Guide

InSight Series Turret Network Camera

*Images may differ from actual products.
InSight S445Z1 is used for demonstration in this guide.
©2025 TP-Link 7106511990 REV1.2.2

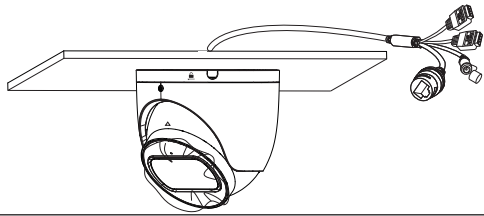


1. Get Ready

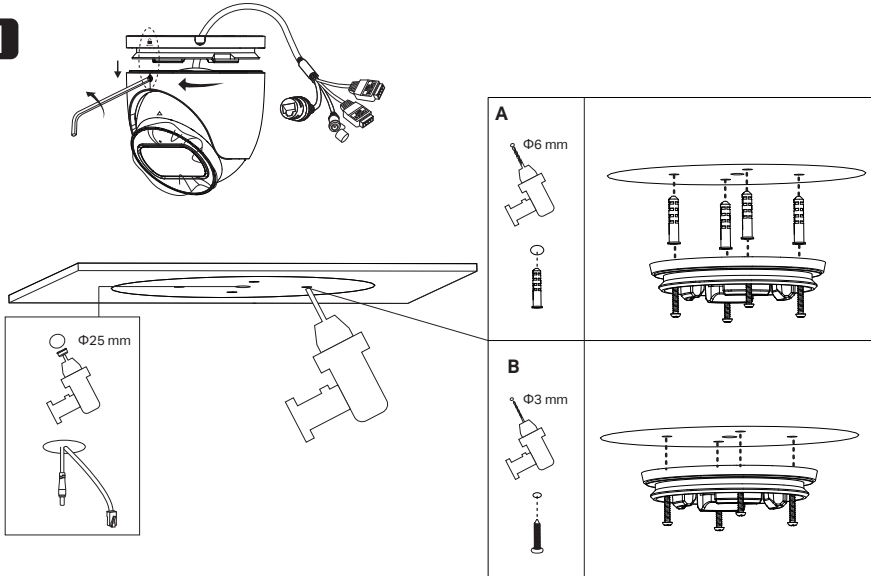


2. Mount Camera

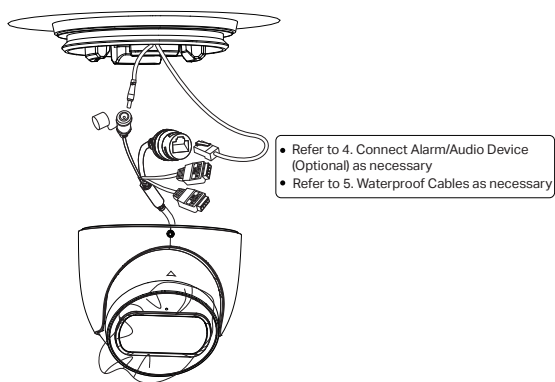
Option 1



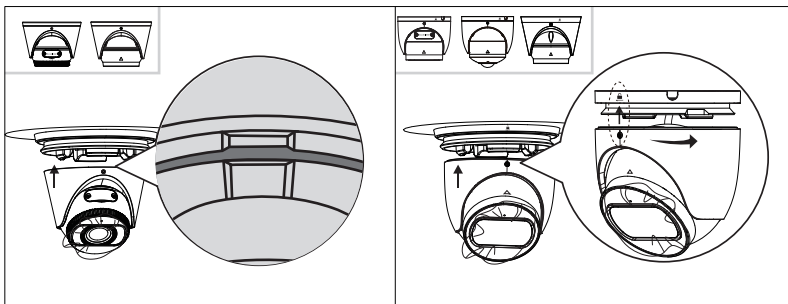
1



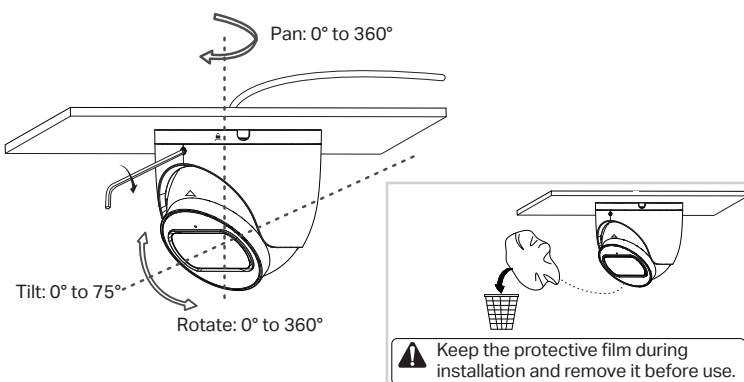
2



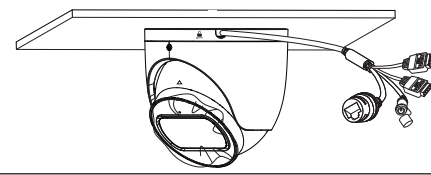
3



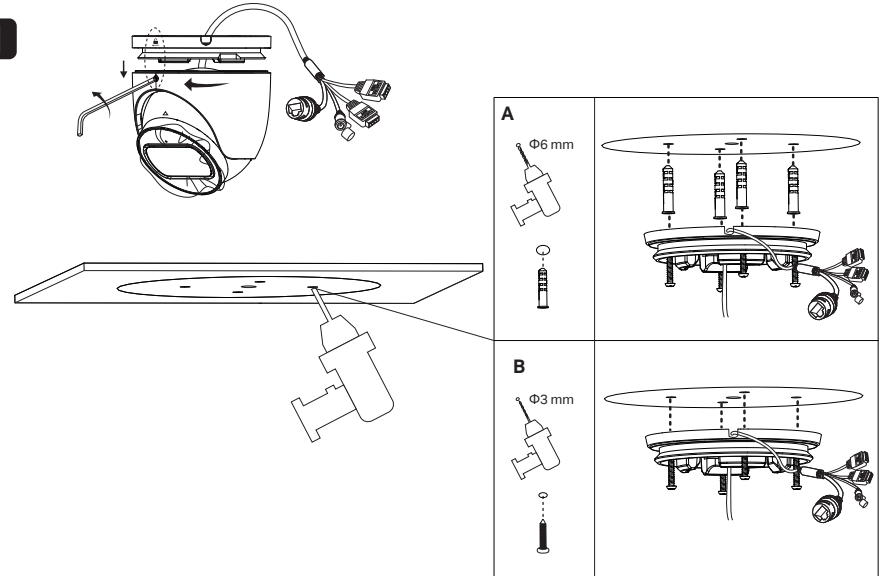
4



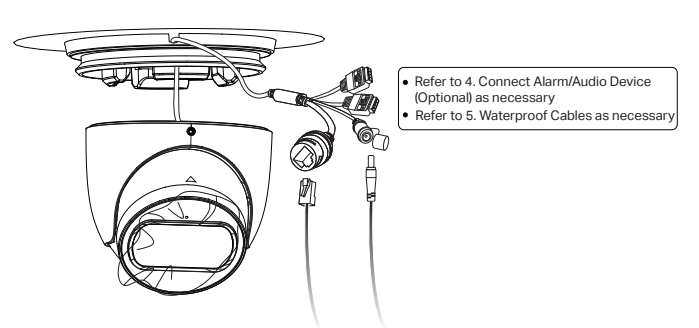
Option 2



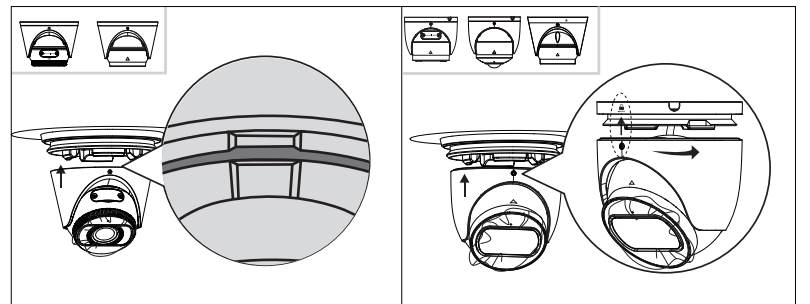
1



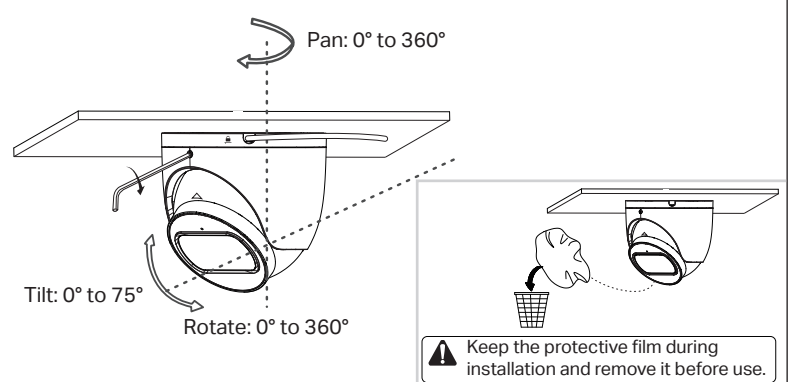
2



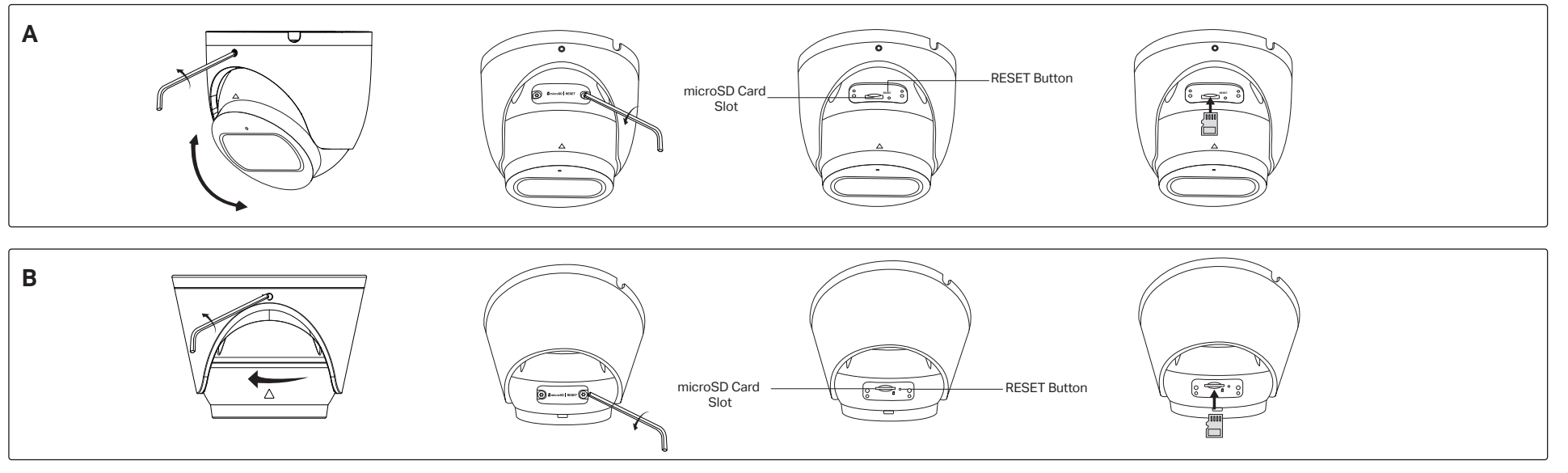
3



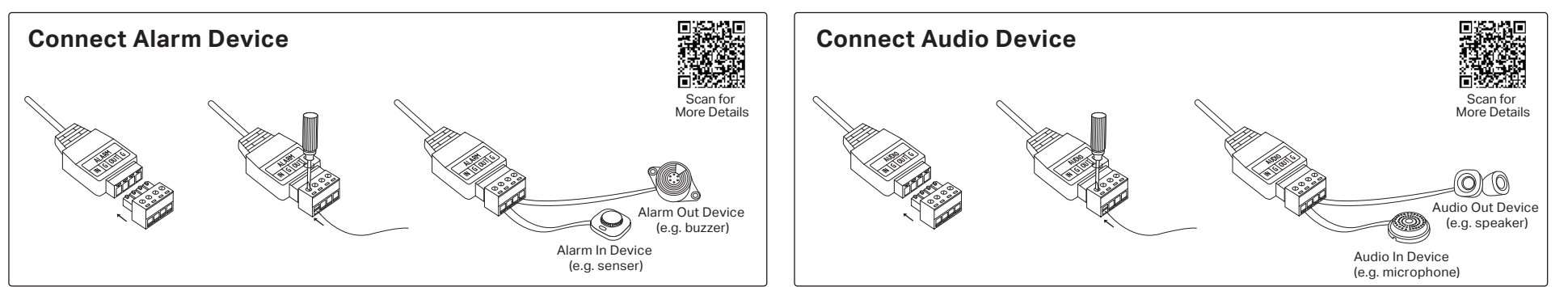
4



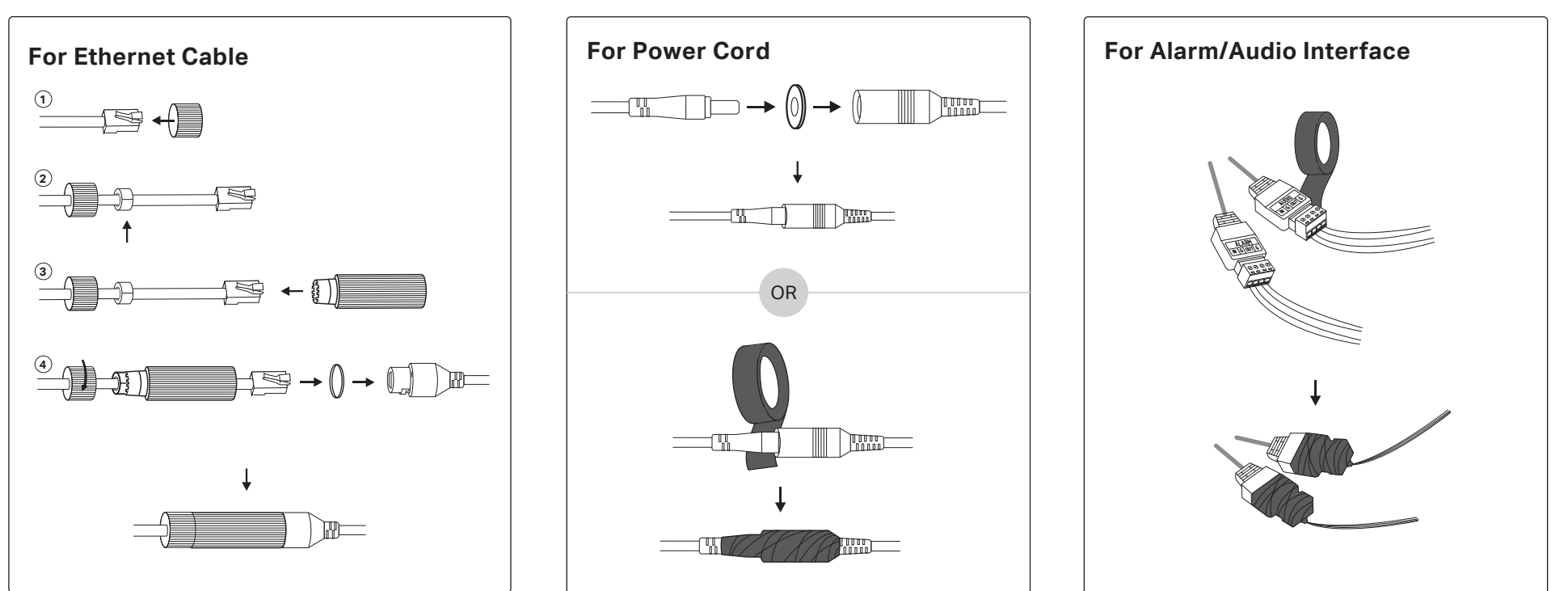
3. Install microSD Card (Optional)



4. Connect Alarm/Audio Device (Optional)



5. Waterproof Cables (Optional)



6. Activate and Access Camera



Usage Tips:

- Make sure your power supply matches your camera. The power source should comply with Power Source Class 2 (PS2) or Limited Power Source (LPS) of IEC 62368-1.
- Make sure that the wall is strong enough to withstand 4 times the weight of the camera and mounting bracket.
- If you are uncertain or uncomfortable performing the installation, consult a qualified electrician.

Safety Information

- Do not attempt to disassemble, repair, or modify the device. If you need service, please contact us.
- Adapter shall be installed near the equipment and shall be easily accessible.
- Do not use a damaged power adapter to power the device.
- Do not use any other power adapters than those recommended.
- Keep the device away from fire or hot environments. DO NOT immerse in water or any other liquid.

EU Declaration of Conformity

TP-Link hereby declares that the device is in compliance with the essential requirements and other relevant provisions of directives 2014/30/EU, 2014/35/EU, 2011/65/EU and (EU)2015/863.

The original EU Declaration of Conformity may be found at <https://www.tp-link.com/en/support/ce/>

UK Declaration of Conformity

TP-Link hereby declares that the device is in compliance with the essential requirements and other relevant provisions of the Electromagnetic Compatibility Regulations 2016 and Electrical Equipment (Safety) Regulations 2016.

The original UK Declaration of Conformity may be found at <https://www.tp-link.com/support/ukca>

For technical support, replacement services, user guides, and more information, please visit <https://support.vigi.com/>.

