



Quick Start Guide

InSight Series Turret Network Camera

*Images may differ from actual products.
InSight S445ZI is used for demonstration in this guide.

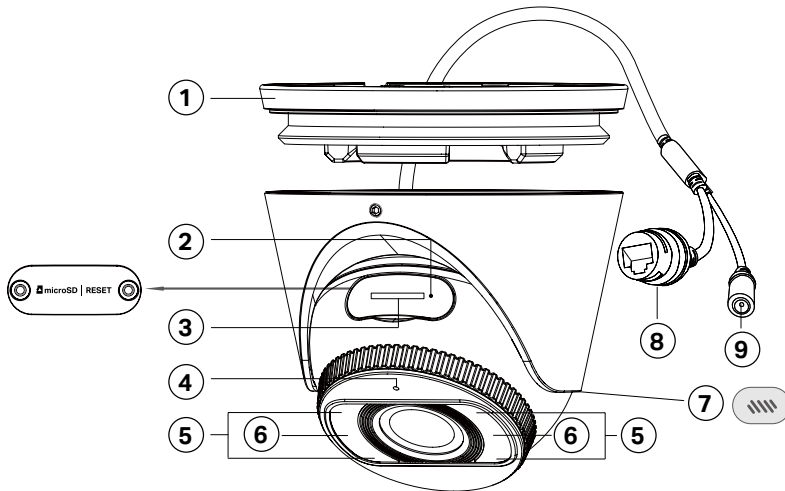
Contents

Chapter 1 Appearance	1
Chapter 2 Installation	6
2.1 Safety First.....	6
2.2 Mount the Camera	6
2.3 Install microSD Card (Optional)	10
2.4 Connect Alarm/Audio Device (Optional).....	10
2.5 Waterproof (Optional)	11
Chapter 3 Configuration	12
3.1 Via NVR.....	12
3.2 Via VIGI App.....	13
3.3 Via Web	13
Appendix FAQ	14

Chapter 1 Appearance

The figure is for demonstration purposes only. Your device may differ in appearance from the depicted.

- **InSight S485/InSight S455/InSight S445**



① **Camera Base**

② **Reset:** Unfasten the two fixed screws to remove the cover. Press for 5 seconds to reset the camera to factory settings.

③ **microSD Card Slot:** Unfasten the two fixed screws to remove the cover. Insert a microSD card for local storage. Initialize the SD card via VIGI app or other management tools before recording videos.

④ **Built-in Microphone**

⑤ **White LED × 4**

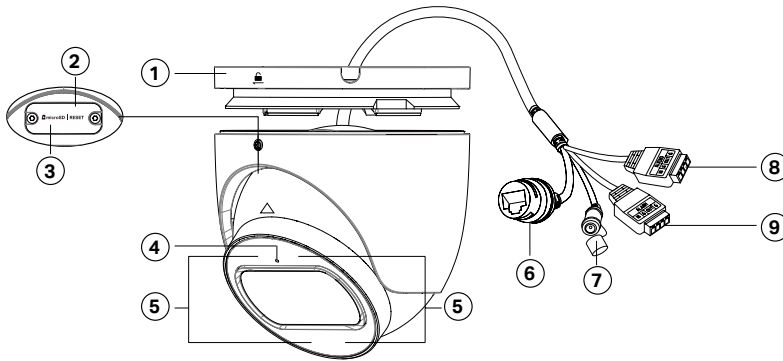
⑥ **IR LED × 4**

⑦ **Speaker**

⑧ **RJ45 Network Interface** (supports PoE)

⑨ **Power Supply Interface**

▪ InSight S445ZI



① **Camera Base**

② **Reset:** Unfasten the two fixed screws to remove the cover. Press for 5 seconds to reset the camera to factory settings.

③ **microSD Card Slot:** Unfasten the two fixed screws to remove the cover. Insert a microSD card for local storage. Initialize the SD card via VIGI app or other management tools before recording videos.

④ **Built-in Microphone**

⑤ **IR LED × 4**

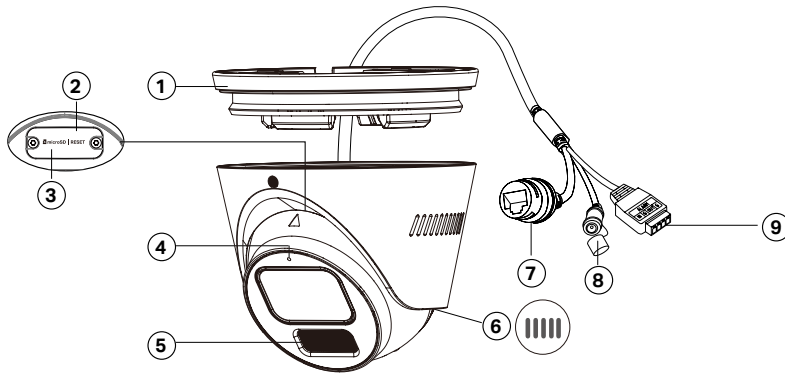
⑥ **RJ45 Network Interface** (supports PoE)

⑦ **Power Supply Interface**

⑧ **Audio Interface**

⑨ **Alarm Interface**

▪ **InSight S445S**



① **Camera Base**

② **Reset:** Unfasten the two fixed screws to remove the cover. Press for 5 seconds to reset the camera to factory settings.

③ **microSD Card Slot:** Unfasten the two fixed screws to remove the cover. Insert a microSD card for local storage. Initialize the SD card via VIGI app or other management tools before recording videos.

④ **Built-in Microphone**

⑤ **IR LED/White LED × 2**

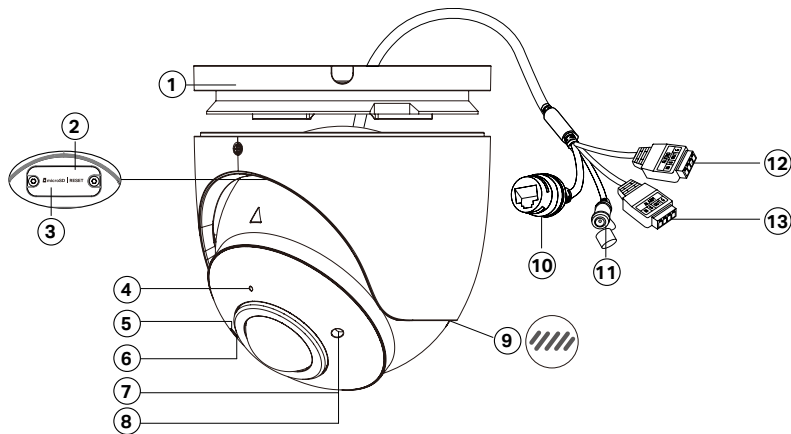
⑥ **Speaker**

⑦ **RJ45 Network Interface** (supports PoE)

⑧ **Power Supply Interface**

⑨ **Alarm Interface**

▪ InSight S485PI



① **Camera Base**

② **Reset:** Unfasten the two fixed screws to remove the cover. Press for 5 seconds to reset the camera to factory settings.

③ **microSD Card Slot:** Unfasten the two fixed screws to remove the cover. Insert a microSD card for local storage. Initialize the SD card via VIGI app or other management tools before recording videos.

④ **Built-in Microphone**

⑤ **Indicator LED Light (Red)**

⑥ **IR LED × 2**

⑦ **Indicator LED Light (Blue)**

⑧ **IR LED × 2**

⑨ **Speaker**

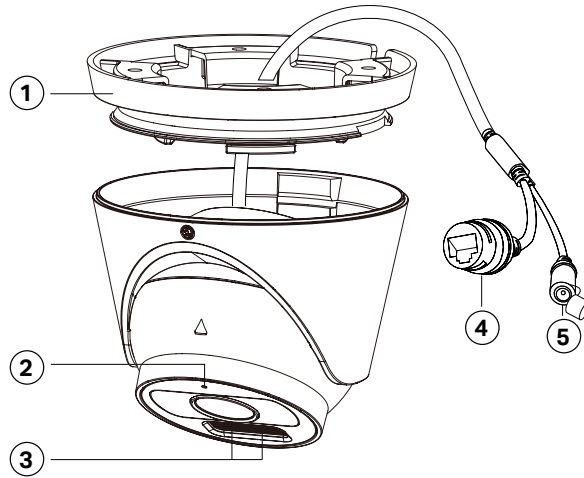
⑩ **RJ45 Network Interface** (supports PoE)

⑪ **Power Supply Interface**

⑫ **Audio Interface**

⑬ **Alarm Interface**

▪ **InSight S425**



- ① **Camera Base**
- ② **Built-in Microphone**
- ③ **Integrated Infrared-White Light × 2**
- ④ **RJ45 Network Interface (supports PoE)**
- ⑤ **Power Supply Interface**

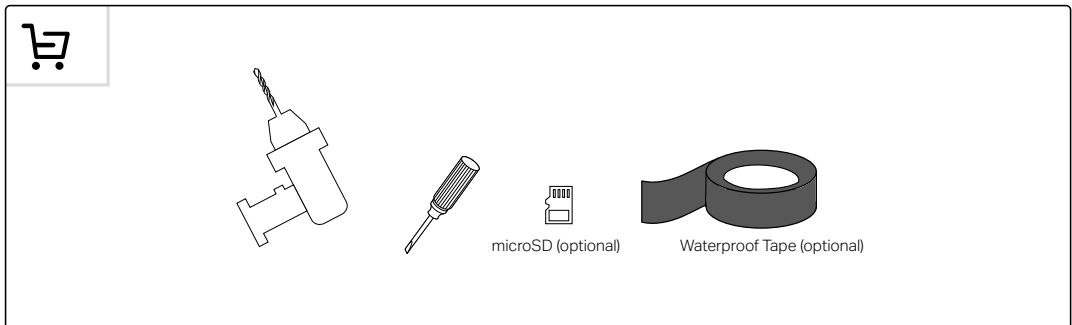
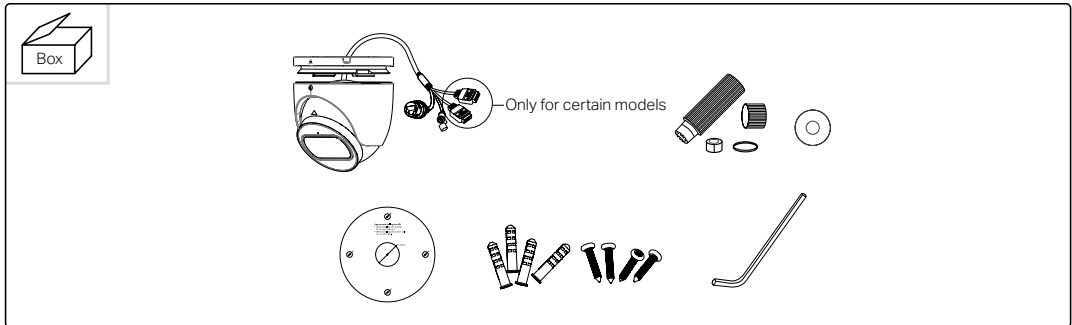
Chapter 2 Installation

2.1 Safety First

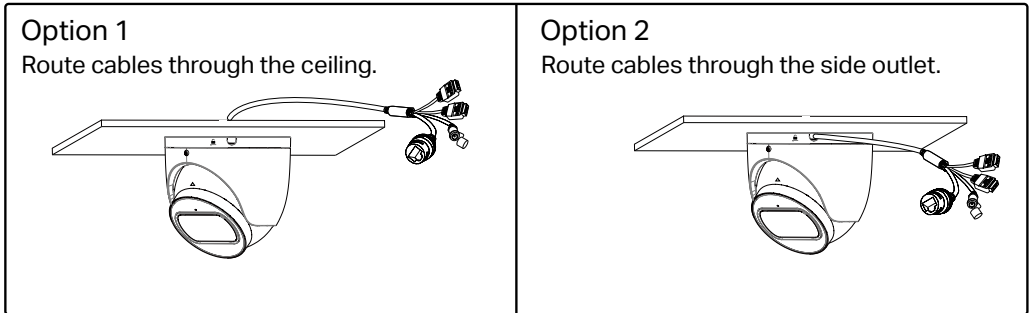
- Make sure your power supply matches your camera. The power source should comply with Power Source Class 2 (PS2) or Limited Power Source (LPS) of IEC 62368-1.
- Make sure that the wall is strong enough to withstand 4 times the weight of the camera and mounting bracket.
- Make sure the device is not connected to a power source when mounting and connecting cables.
- If you are uncertain or uncomfortable performing the installation, consult a qualified electrician.

2.2 Mount the Camera

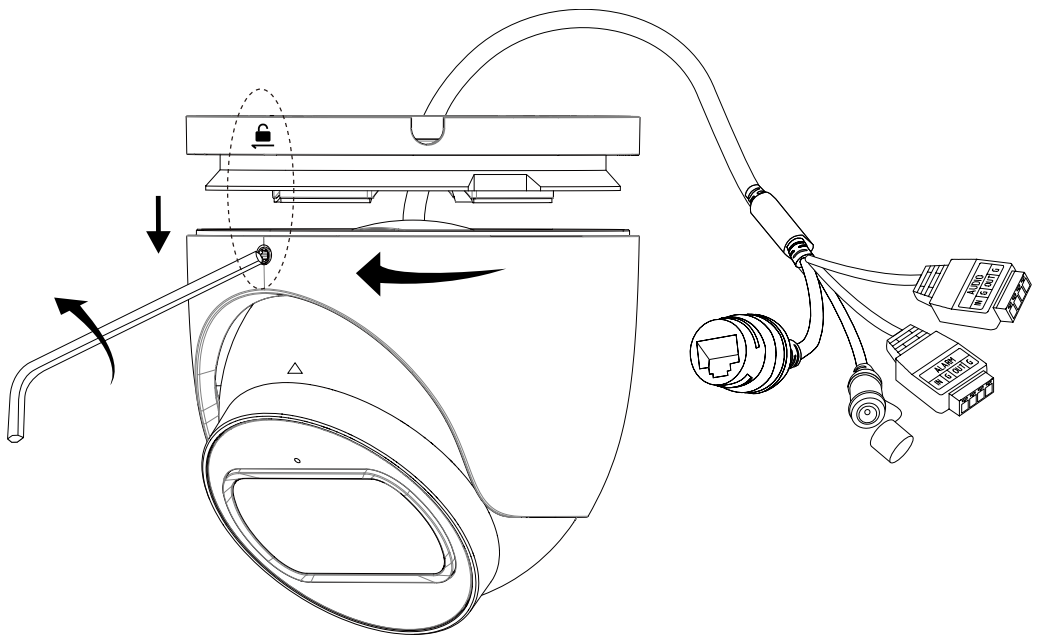
1. Get ready



2. Determine the cable routing method.

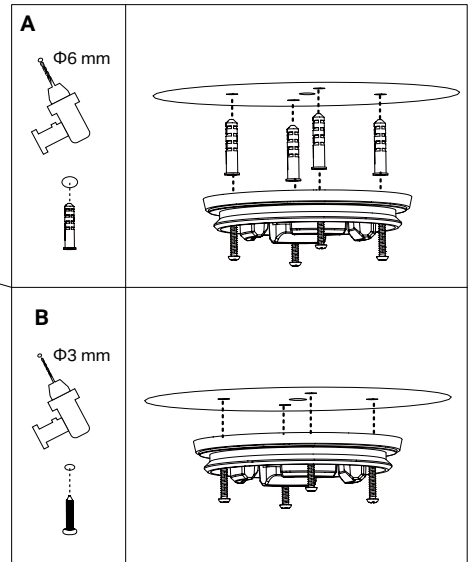
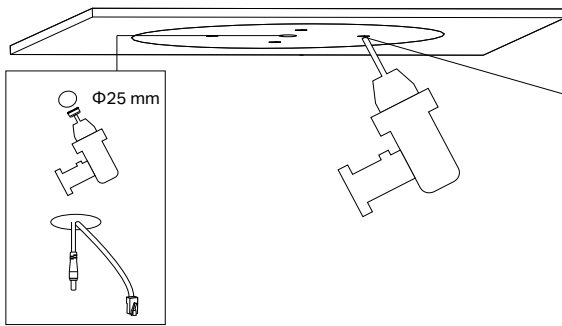


3. Open the camera case.

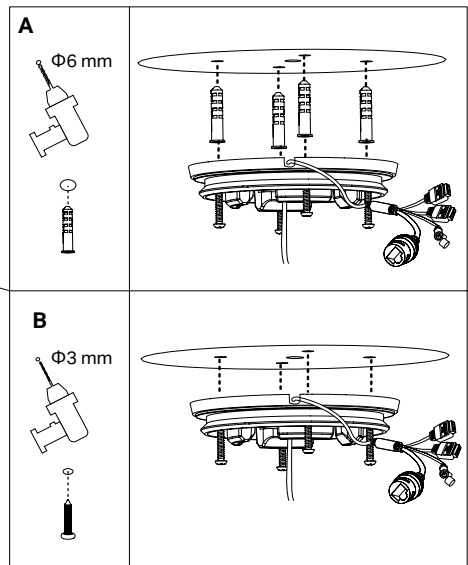
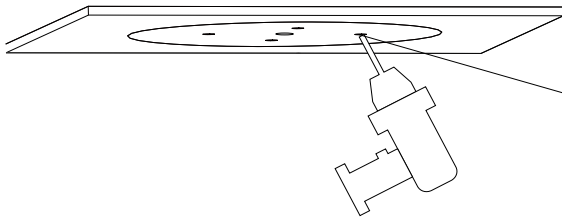


4. Mount the camera base.

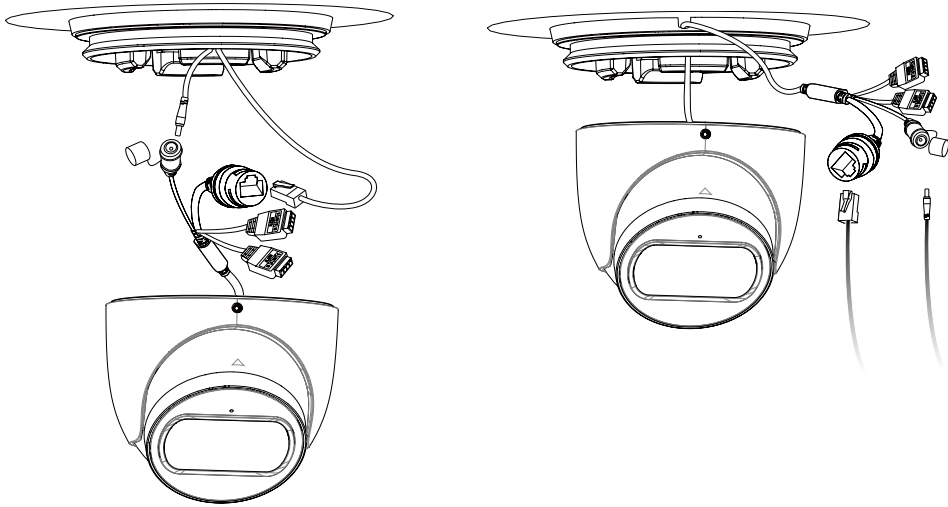
For Option 1



For Option 2



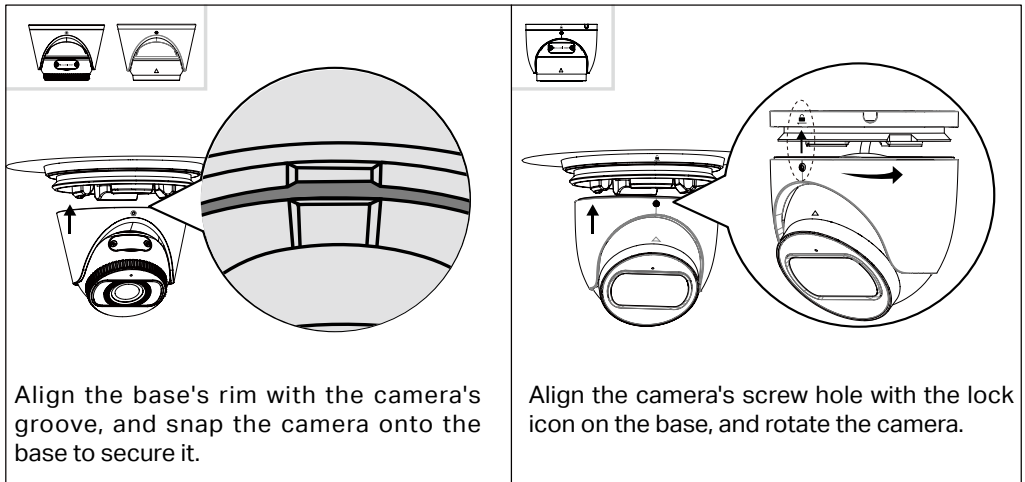
5. Connect Cables.



Note:

1. Refer to 2.4. Connect Alarm/Audio Device (Optional) as necessary.
2. Refer to 2.5. Waterproof Cables as necessary

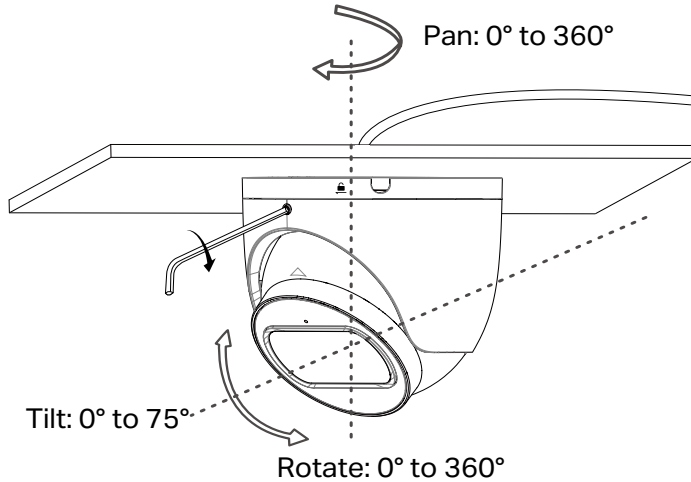
6. Secure the camera.



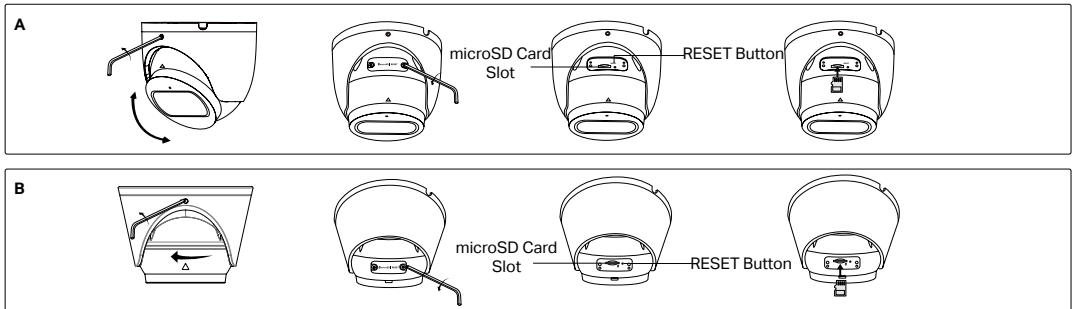
Align the base's rim with the camera's groove, and snap the camera onto the base to secure it.

Align the camera's screw hole with the lock icon on the base, and rotate the camera.

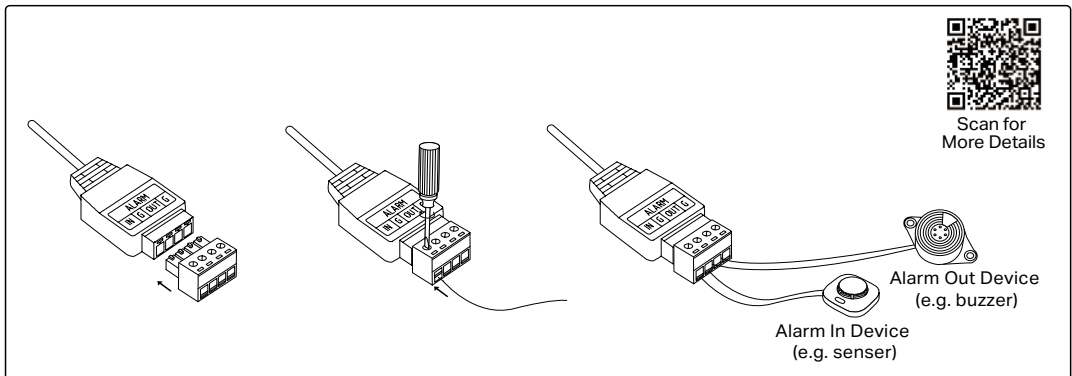
7. Adjust the surveillance angle, then fasten the camera securely.



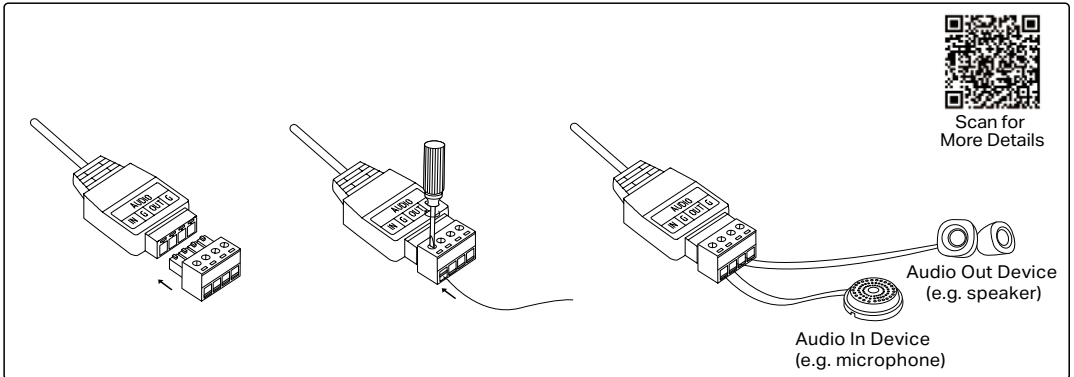
2.3 Install microSD Card (Optional)



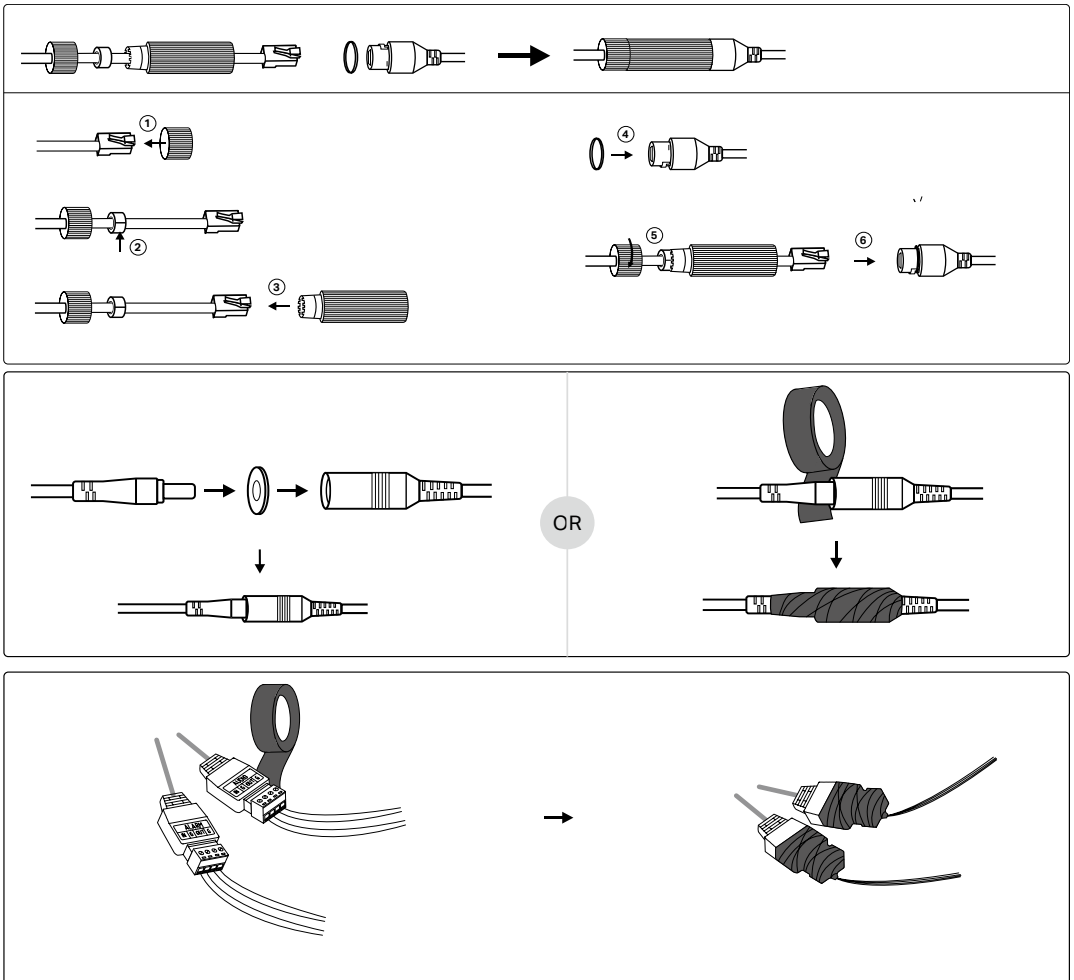
2.4 Connect Alarm/Audio Device (Optional)



Note: It is recommended to waterproof the alarm/audio interface even if no alarm/audio equipment is connected.

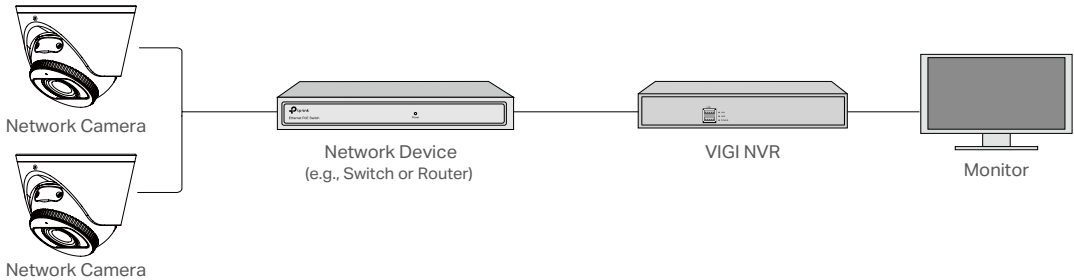


2.5 Waterproof (Optional)



Chapter 3 Configuration

Here is a typical network topology. You can add and manage your devices via any of the methods



3.1 Via NVR

The camera works with an NVR for easier batch access and management. Here we use a VIGI NVR as an example.

1. Connect your cameras to the same network as your NVR.
2. Power on your cameras with the PoE power supply or an external power supply.
3. Right click on the Live View screen on the monitor, and click Add Camera.
4. Select your camera and click + to add your camera directly. If you have disabled Plug and Play on your NVR, create a password or use a preset password for your camera.

Using your cameras with other NVR brands:

Step 1: Power on your cameras and connect them to the network.

Step 2: Activate the cameras using the TP-Link VIGI app or web management page.

Step 3: Refer to the NVR's User Manual to add cameras.

3.2 Via VIGI App

You can remotely view live video, manage device, and get instant alerts via VIGI app.

1. Download and install the latest TP-Link VIGI app.



or



2. Open the app and log in with your TP-Link ID. If you don't have an account, sign up first.
3. Tap the + button on the top right and follow the app instructions to add your NVR.

3.3 Via Web

You can view live video and modify camera settings via a web browser.

1. Find the camera's IP address on your router's client page.
2. On your local computer, open a web browser and enter `https://camera's IP address` (`https://192.168.0.60` by default).
3. Select your Country/Region and Time Zone.
4. Set a password to activate the camera.
5. You can view the live video on the Preview page, and go to the Settings page to change camera settings.

Appendix FAQ

Q1. What can I do if no cameras are discovered?

- Refresh to discover your camera again.
- Make sure the camera is powered on.
- Make sure your camera and NVR/computer are in the same subnet. If not, use the VIGI Config Tool to set camera's network parameters.
- Try to add your camera manually.
- For other NVR brands, make sure you have activated the camera by setting a password via TP-Link VIGI app or web management page.

Q2. How do I know the camera is powered on?

- The IR LED will turn on for a few seconds once the camera is powered on. If it's off, you can cover the lens for several seconds and check if the IR LED turns on.
- Check the Ethernet port LED status of the network device your camera is connected to.

If you have more questions, please visit <https://www.tp-link.com/support/faq/2850/>.