



AXIS W111

Installation guide
Guide d'installation
Installationsanleitung
Guida all'installazione
Guía de instalación
インストールガイド
Guia de instalação
Руководство по установке
설치가이드
安裝指南
Panduan instalasi
Kurulum kılavuzu

Read this first

Read through this installation guide carefully before you install the product. Keep the installation guide for future reference.

Liability

Every care has been taken in the preparation of this document. Please inform your local Axis office of any inaccuracies or omissions. Axis Communications AB cannot be held responsible for any technical or typographical errors and reserves the right to make changes to the product and manuals without prior notice. Axis Communications AB makes no warranty of any kind with regard to the material contained within this document, including, but not limited to, the implied warranties of merchantability and fitness for a particular purpose. Axis Communications AB shall not be liable nor responsible for incidental or consequential damages in connection with the furnishing, performance or use of this material. This product is only to be used for its intended purpose.

Intellectual property rights

Axis AB has intellectual property rights relating to technology embodied in the product described in this document. In particular, and without limitation, these intellectual property rights may include one or more of the patents listed at axis.com/patent and one or more additional patents or pending patent applications in the US and other countries.

This product contains licensed third-party software. See the third-party license information in the product's user interface for more information.

This product contains source code copyright Apple Computer, Inc., under the terms of Apple Public Source License 2.0 (see opensource.apple.com/apsl/). The source code is available from developer.apple.com/bonjour/.

Equipment modifications

This equipment must be installed and used in strict accordance with the instructions given in the user documentation. This equipment contains no

user-serviceable components. Unauthorized equipment changes or modifications will invalidate all applicable regulatory certifications and approvals.

Trademark acknowledgements

AXIS COMMUNICATIONS, AXIS, ARTPEC and VAPIX are registered trademarks of Axis AB in various jurisdictions. All other trademarks are the property of their respective owners.

Apple, Apache, Bonjour, Ethernet, Internet Explorer, Linux, Microsoft, Mozilla, Real, SMPTE, QuickTime, UNIX, Windows, and WWW are registered trademarks of the respective holders. Java and all Java-based trademarks and logos are trademarks or registered trademarks of Oracle and/or its affiliates. The UPnP Word Mark and UPnP Logo are trademarks of Open Connectivity Foundation, Inc. in the United States or other countries.

Regulatory information

Europe



This product complies with the applicable CE marking directives:

- Radio Equipment Directive (RED) 2014/53/EU. See *Radio transmission*, on page 6.
- Restriction of Hazardous Substances (RoHS) Directive 2011/65/EU and 2015/863, including any amendments, updates or replacements. See *Disposal and recycling*, on page 18.

A copy of the original declaration of conformity may be obtained from Axis Communications AB. See *Contact information*, on page 20.

Electromagnetic compatibility (EMC)

This equipment has been designed and tested to fulfill applicable standards for:

- Radio frequency emission when installed according to the instructions and used in its intended environment.
- Immunity to electrical and electromagnetic phenomena when installed according to the instructions and used in its intended environment.

USA

This device complies with part 15 of the FCC Rules. Operation is subject to the following two conditions:

1. This device may not cause harmful interference, and
2. this device must accept any interference received, including interference that may cause undesired operation.

This equipment has been tested using a shielded network cable (STP) and found to comply with the limits for a Class B digital device, pursuant to part 15 of the FCC Rules. This equipment has also been tested using an unshielded network cable (UTP) and found to comply with the limits for a Class B digital device, pursuant to part 15 of the FCC Rules. These limits are designed to provide reasonable protection against harmful interference in a residential installation. This equipment generates, uses and can radiate radio frequency energy and, if not installed and used in accordance with the instructions, may cause harmful interference to radio communications. However, there is no guarantee that interference will not occur in a particular installation. If this equipment does cause harmful interference to radio or television reception, which can be determined by turning the equipment off and on, the user is encouraged to try to correct the interference by one or more of the following measures:

- Reorient or relocate the receiving antenna.
- Increase the separation between the equipment and receiver.
- Connect the equipment into an outlet on a circuit different from that to which the receiver is connected.

- Consult the dealer or an experienced radio/TV technician for help.

Contact information

Axis Communications Inc.

300 Apollo Drive

Chelmsford, MA 01824

United States of America

Tel: +1 978 614 2000

Canada

This digital apparatus complies with CAN ICES-3 (Class B). The product shall be connected using a shielded network cable (STP) that is properly grounded. Cet appareil numérique est conforme à la norme CAN NMB-3 (classe B). Le produit doit être connecté à l'aide d'un câble réseau blindé (STP) qui est correctement mis à la terre.

Europe

This digital equipment fulfills the requirements for RF emission according to the Class B limit of EN 55032. The product shall be connected using a shielded network cable (STP) that is properly grounded.

Australia/New Zealand

This digital equipment fulfills the requirements for RF emission according to the Class B limit of AS/NZS CISPR 32. The product shall be connected using a shielded network cable (STP) that is properly grounded.

Japan

この装置は、クラスB機器です。この装置は、住宅環境で使用することを目的としていますが、この装置がラジオやテレビジョン

受信機に近接して使用されると、受信障害を引き起こすことがあります。取扱説明書に従って正しい取り扱いをして下さい。

VCCI - B

本製品は、シールドネットワークケーブル(STP)を使用して接続してください。また適切に接地してください。

本製品は電気通信事業者（移動通信会社、固定通信会社、インターネットプロバイダ等）の通信回線（公衆無線 LAN を含む）に直接接続することができません。本製品をインターネットに接続する場合は、必ずルータ等を経由し接続してください。

Korea

이 기기는 가정용(B급) 전자파적합기기로서 주로 가정에서 사용하는 것을 목적으로 하며, 모든 지역에서 사용할 수 있습니다. 적절히 접지된 STP (shielded twisted pair) 케이블을 사용하여 제품을 연결하십시오.

Radio transmission

This device may generate or use radio frequency energy. The user could lose the authority to operate this device if an unauthorized change or modification is made.

The device shall be positioned and fastened on the outside of clothing at the chest or waist belt, using an Axis fastening clip.

The transmitter operates at :

Transmitter frequency range (MHz)	Maximum peak radio frequency output power (dBm)
2402–2480	4.6 ¹
2412–2472	18.6 ¹
5150–5250	17.1 ¹
5250–5350	17.1 ¹
5470–5725	17.9 ¹
5725–5825	16.5 ¹

1. Equivalent isotropic radiated power.

USA

This device complies with FCC specific absorption rate (SAR) limits for portable devices. This device is designed to be used in the immediate vicinity of the body.

For body worn operation, this device has been tested and found to comply with the FCC RF exposure guidelines when used with Axis accessories supplied or designated for this product. Use of other accessories may not ensure compliance with FCC RF exposure guidelines. To meet the requirements of these guidelines, the device should be positioned at least 5mm from the body during use.

The SAR testing was performed with the radio transmitters set to their highest levels and in a position that simulates the device being worn close to the human body. The SAR limit for a portable device used close to the body is 1.6 W/kg, averaged over 1g of tissue. The highest SAR value measured for this product when used close to the body is 0.83 W/kg.

More information about exposure to radio frequency electromagnetic fields can be obtained from Axis Communications AB.

The device for operation in the band 5150–5250 MHz is only for indoor use to reduce the potential for harmful interference to co-channel mobile satellite systems. For devices with detachable antenna(s), the maximum antenna gain permitted for devices in the band 5725–5850 MHz shall be such that the equipment still complies with the e.i.r.p. limits as appropriate.

Canada

This device complies with Innovation, Science and Economic Development Canada licence-exempt RSS standard(s). Operation is subject to the following two conditions: (1) this device may not cause interference, and (2) this device must accept any interference, including interference that may cause undesired operation of the device.

This device complies with IC specific absorption rate (SAR) limits for portable devices. This device is designed to be used in the immediate vicinity of the body.

For body worn operation, this device has been tested and found to comply with the RSS-102 RF exposure guidelines when used with Axis accessories supplied or designated for this product. Use of other accessories may not ensure compliance with RSS-102 RF exposure guidelines. To meet the requirements of these guidelines, the device should be positioned at least 5mm from the body during use.

The SAR testing was performed with the radio transmitters set to their highest levels and in a position that simulates the device being worn close to the human body. The SAR limit for a portable device used close to the body is 1.6 W/kg, averaged over 1g of tissue. The highest SAR value measured for this product when used close to the body is 0.83 W/kg.

More information about exposure to radio frequency electromagnetic fields can be obtained from Axis Communications AB.

The device for operation in the band 5150–5250 MHz is only for indoor use to reduce the potential for harmful interference to co-channel mobile satellite systems. For devices with detachable antenna(s), the maximum antenna gain permitted for devices in the band 5725–5850 MHz shall be such that the equipment still complies with the e.i.r.p. limits as appropriate.

Ce dispositif est conforme aux normes RSS Innovation, Sciences et Développement économique Canada exemptes de licences. Son utilisation est soumise aux deux conditions suivantes : (1) il ne doit pas causer d'interférences et (2) il doit tolérer toute interférence, y compris celles susceptibles d'en altérer le fonctionnement.

Ce dispositif est conforme aux limites du débit d'absorption spécifique (SAR) IC des appareils portables. Ce dispositif est conçu pour être utilisé à proximité immédiate du corps.

Dans le cadre du fonctionnement du dispositif porté sur le corps, cet appareil a été testé et est conforme aux directives d'exposition RSS-102 RF en cas d'utilisation avec les accessoires Axis fournis ou indiqués pour ce produit. L'utilisation d'autres accessoires ne garantit pas la conformité aux directives d'exposition RSS-102. Pour répondre aux exigences de ces directives, le périphérique doit être placé à au moins 5 mm du corps pendant l'utilisation.

Les tests DAS ont été effectués avec les émetteurs radio réglés sur les niveaux les plus élevés et dans une position qui simule le port du dispositif

près du corps humain. La limite de DAS pour un dispositif périphérique utilisé à proximité du corps est de 1.6 W/kg, en moyenne sur 1 g de tissu. La valeur DAS la plus élevée mesurée pour ce produit lorsqu'il est utilisé près du corps est de 0.83 W/kg.

Pour plus d'informations sur l'exposition aux champs électromagnétiques des radiofréquences, contactez Axis Communications AB.

Les dispositifs fonctionnant dans la bande 5150-5250 MHz sont réservés uniquement pour une utilisation à l'intérieur afin de réduire les risques de brouillage préjudiciable aux systèmes de satellites mobiles utilisant les mêmes canaux. Le gain maximal d'antenne permis (pour les dispositifs utilisant la bande 5725-5825 MHz) doit se conformer à la limite de p.i.r.e. spécifiée pour l'exploitation point à point et non point à point, selon le cas.

Europe

Hereby, Axis Communications AB declares that this product is in compliance with the essential requirements and other relevant provisions of Directive 2014/53/EU.

This device complies with specific absorption rate (SAR) 'basic restriction' limits specified by council recommendation 1999/519/EC Annex II. This device is designed to be used in the immediate vicinity of the body (trunk).

For body worn operation, this device has been tested and found to comply with these limits when used with Axis accessories supplied or designated for this product. Use of other accessories may not ensure compliance with these limits. To meet these SAR limits, the device should be positioned at least 5mm from the body during use.

The SAR testing was performed with the radio transmitters set to their highest levels and in a position that simulates the device being worn close to the human body. The SAR limit for a portable device used close to the body is 2.0 W/kg, averaged over 10g of tissue. The highest SAR value measured for this product when used close to the body is 0.36 W/kg.

FR

Par la présente Axis Communications AB déclare que l'appareil ce produit est conforme aux exigences essentielles et aux autres dispositions pertinentes de la directive 2014/53/CE.

Ce périphérique est conforme aux limites de "restriction de base" du débit d'absorption spécifique (DAS) spécifiées par la recommandation du Conseil 1999/519/CE Annexe II. Ce périphérique est conçu pour être utilisé à proximité immédiate du corps (tronc).

Dans le cadre du fonctionnement de la caméra-piéton, ce périphérique a été testé et est conforme à ces limites en cas d'utilisation avec les accessoires Axis fournis ou indiqués pour ce produit. En cas d'utilisation d'autres accessoires, le respect de ces limites pourrait ne pas être garanti. Pour respecter ces limites de DAS, le périphérique devrait être placé à au moins 5 mm du corps pendant l'utilisation.

Les tests de DAS ont été effectués avec les émetteurs radio réglés sur les niveaux les plus élevés et dans une position simulant le port du périphérique près du corps humain. La limite de DAS pour un périphérique portable utilisé à proximité du corps est de 2.0 W/kg, en moyenne sur 10 g de tissu. La valeur de DAS la plus élevée mesurée pour ce produit lorsqu'il est utilisé près du corps est de 0.36 W/kg.

DE

Hiermit erklärt Axis Communications AB, dass sich dieses Produkt in Übereinstimmung mit den grundlegenden Anforderungen und den anderen relevanten Vorschriften der Richtlinie 2014/53/EG befindet.

Dieses Gerät entspricht den in der Empfehlung 1999/519/EG des Rates, Anhang II, festgelegten „Grundbeschränkungen“ für die spezifische Absorptionsrate (SAR). Dieses Gerät ist für die Verwendung in unmittelbarer Nähe des Körpers (Rumpf) konzipiert.

Für den Betrieb am Körper wurde dieses Gerät getestet und hält diese Grenzwerte ein, wenn es mit dem von Axis gelieferten oder für dieses Produkt vorgesehenen Zubehör verwendet wird. Die Verwendung von anderem Zubehör kann die Einhaltung dieser Grenzwerte nicht gewährleisten. Um diese SAR-Grenzwerte einzuhalten, sollte das Gerät während des Gebrauchs mindestens 5 mm vom Körper entfernt positioniert werden.

Die SAR-Tests wurden mit den Funksendern auf höchster Stufe und in einer Position durchgeführt, die das Tragen des Geräts in der Nähe des menschlichen Körpers simuliert. Der SAR-Grenzwert für ein in Körpernähe verwendetes tragbares Gerät liegt bei 2.0 W/kg, gemittelt über 10 g Gewebe. Der höchste gemessene SAR-Wert für dieses Produkt bei körpernahe Einsatz liegt bei 0.36 W/kg.

IT

Con la presente Axis Communications AB dichiara che questo prodotto è conforme ai requisiti essenziali ed alle altre disposizioni pertinenti stabilite dalla direttiva 2014/53/CE.

Questo dispositivo è conforme ai limiti del tasso di assorbimento specifico (SAR) "restrizione di base" specificati dalla raccomandazione del consiglio 1999/519/CE, allegato II. Questo dispositivo è progettato per essere utilizzato a contatto con il corpo (busto).

Questo dispositivo è stato testato per funzionare a contatto con il corpo ed è ritenuto conforme a questi limiti se utilizzato con gli accessori Axis forniti o progettati per questo prodotto. L'uso di altri accessori potrebbe non garantire la conformità di questi limiti. Per rispettare i limiti SAR, il dispositivo deve essere posizionato ad almeno 5 mm dal corpo durante l'uso.

I test SAR sono stati eseguiti con i trasmettitori radio impostati ai massimi livelli e in una posizione che simula la posizione del dispositivo indossato accostato al corpo umano. Il limite SAR per un dispositivo portatile

utilizzato in prossimità del corpo è di 2.0 W/kg, in media su 10 g di tessuto. Il valore SAR più alto misurato per questo prodotto, se usato vicino al corpo, è di 0.36 W/kg.

ES

Por medio de la presente Axis Communications AB declara que el este producto cumple con los requisitos esenciales y cualesquiera otras disposiciones aplicables o exigibles de la Directiva 2014/53/CE.

Este dispositivo cumple los límites de "restricción básica" de la tasa de absorción específica (SAR) especificados en el anexo II de la Recomendación 1999/519/CE del Consejo. Está diseñado para ser utilizado en las inmediaciones del cuerpo (tronco).

Este dispositivo ha sido probado para operaciones con uso corporal y se ha demostrado que cumple con los límites cuando se utiliza con los accesorios Axis facilitados o designados para este producto. El uso de otros accesorios podría no garantizar el cumplimiento de dichos límites. Con el fin de cumplir estos límites de SAR, es preciso disponer el dispositivo a una distancia mínima de 5 mm del cuerpo durante el uso.

La prueba SAR se realizó con los transmisores de radio configurados en sus niveles más altos y en una posición que simula el dispositivo usado sobre el cuerpo. El límite SAR de un dispositivo portátil utilizado sobre el cuerpo es de 2.0 W/kg, promediado sobre 10 g de tejido. El valor SAR más alto medido para este producto cuando se utiliza sobre el cuerpo es de 0.36 W/kg.

FI

Axis Communications AB vakuuttaa täten että tämä tuote tyyppinen laite on direktiivin 2014/53/EY oleellisten vaatimusten ja sitä koskevien direktiivin muiden ehtojen mukainen.

Tämä laite täyttää neuvoston suosituksen 1999/519/EY liitteessä II määritellyt ominaisabsorptiopeuden (SAR) perusrajoituksen mukaiset

raja-arvo vaatimukset. Tämä laite on suunniteltu käytettäväksi kehon (vartalon) välittömässä läheisyydessä.

Tämä puettava laite on testattu ja sen on todettu olevan näiden raja-arvojen mukainen, kun sitä käytetään tämän tuotteen mukana toimitettujen tai siihen tarkoitettujen Axis-lisävarusteiden kanssa. Muita lisävarusteita käytettäessä nämä raja-arvo vaatimukset eivät ehkä täyty. Näiden SAR-raja-arvo vaatimusten täyttyminen edellyttää, että laite on käytön aikana vähintään 5 mm:n etäisyydellä kehosta.

SAR-testi on suoritettu radioläheittäimien tehon ollessa suurimmillaan ja laitteen ollessa paikassa, joka simuloi laitteen käyttämistä lähellä ihmiskehoa. Kehon lähellä käytettävän kannettavan laitteen SAR-raja-arvo on 2.0 W/kg keskimääräisenä arvona 10 gramman kudossmassaa kohti. Suurin SAR-arvo, joka tälle tuotteelle on mitattu kehon lähellä käytettäessä, on 0.36 W/kg.

NL

Hierbij verklaart Axis Communications AB dat het toestel in overeenstemming is met de essentiële eisen en de andere relevante bepalingen van richtlijn 2014/53/EG.

Dit apparaat voldoet aan de 'basisbeperkingen' met betrekking tot de limieten voor de specifieke absorptiesnelheid (SAR) zoals vastgelegd in bijlage II van EU-aanbeveling 1999/519/EG. Het apparaat is ontworpen voor gebruik in de directe nabijheid van het lichaam (romp).

Dit apparaat is getest voor gebruik op het lichaam en voldoet aan de vastgestelde limieten, op voorwaarde dat uitsluitend Axis-accessoires worden gebruikt die voor dit product zijn meegeleverd of gespecificeerd. Het gebruik van niet-originele accessoires kan ertoe leiden dat niet aan deze limieten wordt voldaan. Om binnen de vastgestelde SAR-limieten te blijven, dient het apparaat bij gebruik ten minste 5 mm van het lichaam verwijderd te zijn.

De SAR-test werd uitgevoerd met de radiozenders ingesteld op hun hoogste vermogensniveau en in een positie die het dragen van het apparaat dicht bij het menselijk lichaam simuleert. Voor draagbare apparaten die dicht op het lichaam worden gedragen, geldt een SAR-limiet van 2.0 W/kg, berekend als gemiddelde over 10 gram weefsel. De hoogste gemeten SAR-waarde voor dit product bij gebruik dicht op het lichaam bedraagt 0.36 W/kg.

SV

Härmed intygar Axis Communications AB att denna produkt står i överensstämmelse med de väsentliga egenskapskrav och övriga relevanta bestämmelser som framgår av direktiv 2014/53/EG.

Denna enhet överensstämmer med SAR-gränserna (Specific Absorption Rate) för "grundläggande begränsning" som anges i rådets rekommendation 1999/519/EG, bilaga II. Denna apparat är avsedd att användas i omedelbar närhet av kroppen (bål).

För kroppsburen användning har denna enhet testats och befunnits överensstämma med dessa gränser när den används med axeltillbehör som levereras eller är avsedda för denna produkt. Användning av andra tillbehör kan inte garantera att dessa gränser följs. För att uppfylla dessa SAR-gränser ska enheten placeras minst 5 mm från kroppen under användning.

SAR-testerna utfördes med radiosändarna inställda på högsta nivå och i en position som simulerar att enheten bärs nära kroppen. SAR-gränsen för en bärbar enhet som används nära kroppen är 2.0 W/kg, i genomsnitt över 10 g vävnad. Det högsta SAR-värdet som uppmätts för denna produkt när den används nära kroppen är 0.36 W/kg.

DA

Undertegnede Axis Communications AB erklærer herved, at følgende udstyr overholder de væsentlige krav og øvrige relevante krav i direktiv 2014/53/EF.

Δette apparat overholder grænserne for den specifikke absorptionshastighed (SAR), "grundlæggende begrænsning", som er specificeret i Rådets henstilling 1999/519/EF, bilag II. Dette apparat er beregnet til brug i umiddelbar nærhed af kroppen (overkroppen).

Til brug båret på kroppen er denne enhed blevet testet og fundet i overensstemmelse med disse grænser, når den bruges med Axis-tilbehør, der er leveret eller beregnet til dette produkt. Brug af andet tilbehør sikrer muligvis ikke overholdelse af disse grænser. For at overholde disse SAR-grænser skal enheden være placeret mindst 5 mm fra kroppen under brug.

SAR-testen blev udført med radiosenderne indstillet til deres højeste niveau og i en position, der simulerer, at enheden bæres tæt på menneskekroppen. SAR-grænsen for en bærbar enhed, der bruges tæt på kroppen, er 2.0 W/kg i gennemsnit over 10 g væv. Den højeste SAR-værdi, der er målt for dette produkt, når det bruges tæt på kroppen, er 0.36 W/kg.

EL

ΜΕ ΤΗΝ ΠΑΡΟΥΣΑ Axis Communications ΑΒ ΔΗΛΩΝΕΙ ΟΤΙ αυτό το προϊόν ΣΥΜΜΟΡΦΩΝΕΤΑΙ ΠΡΟΣ ΤΙΣ ΟΥΣΙΩΔΕΙΣ ΑΠΑΙΤΗΣΕΙΣ ΚΑΙ ΤΙΣ ΛΟΙΠΕΣ ΣΧΕΤΙΚΕΣ ΔΙΑΤΑΞΕΙΣ ΤΗΣ ΟΔΗΓΙΑΣ 2014/53/ΕΚ.

Αυτή η συσκευή συμμορφώνεται με τα όρια "βασικών περιορισμών" της ταχύτητα ειδικής απορρόφησης ενέργειας (SAR) που καθορίζονται από τη Σύσταση 1999/519/ΕΚ του Συμβουλίου, Παράρτημα II. Αυτή η συσκευή έχει σχεδιαστεί για χρήση σε άμεση γειννίαση με το σώμα (κορμό).

Για λειτουργία ενώ φοριέται στο σώμα, η συσκευή αυτή έχει δοκιμαστεί και έχει βρεθεί ότι συμμορφώνεται με αυτά τα όρια όταν χρησιμοποιείται με τα αξεσουάρ Axis που παρέχονται ή προορίζονται για το προϊόν αυτό. Η χρήση άλλων αξεσουάρ ενδέχεται να μην εξασφαλίζει τη συμμόρφωση με αυτά τα όρια. Για

να πληρούνται αυτά τα όρια SAR, η συσκευή πρέπει να τοποθετείται σε απόσταση τουλάχιστον 5 mm από το σώμα κατά τη χρήση.

Οι δοκιμές SAR πραγματοποιήθηκαν με τους ραδιοπομπούς ρυθμισμένους στα ανώτατα επίπεδά τους και σε θέση που προσομοιάζει τη χρήση της συσκευής ενώ φοριέται κοντά στο ανθρώπινο σώμα. Το όριο SAR για μια φορητή συσκευή που χρησιμοποιείται κοντά στο σώμα είναι 2.0 W/kg, κατά μέσο όρο για 10 g ιστού. Η ανώτατη τιμή SAR που μετρήθηκε για αυτό το προϊόν όταν χρησιμοποιείται κοντά στο σώμα είναι 0.36 W/kg.

PT

Axis Communications AB declara que este produto está conforme com os requisitos essenciais e outras disposições da Directiva 2014/53/CE.

Este dispositivo está em conformidade com os limites da "restrição básica" da taxa de absorção específica (SAR) especificados no anexo II da Recomendação 1999/519/CE do Conselho. Este dispositivo foi concebido para ser utilizado na proximidade imediata do corpo (tronco).

Para a utilização junto ao corpo, este dispositivo foi testado e considerado em conformidade com estes limites quando utilizado com acessórios Axis fornecidos ou designados para este produto. A utilização de outros acessórios pode não garantir o cumprimento destes limites. Para cumprir estes limites de SAR, o dispositivo deve ser posicionado a pelo menos 5 mm do corpo durante a utilização.

O teste SAR foi efetuado com os transmissores de rádio definidos para os níveis mais elevados e numa posição que simula o dispositivo a ser usado junto ao corpo humano. O limite de SAR para um dispositivo portátil utilizado junto ao corpo é de 2.0 W/kg, calculados em média sobre 10 g de tecido. O valor SAR mais elevado medido para este produto quando utilizado junto ao corpo é de 0.36 W/kg.

Este equipamento não tem direito à proteção contra interferência prejudicial e não pode causar interferência em sistemas devidamente autorizados.

Australia/New Zealand

This equipment complies with relevant RCM and R-NZ requirements.

Safety

If its connecting cables are routed outdoors, the product shall be grounded either through a shielded network cable (STP) or other appropriate method.

Disposal and recycling

When this product has reached the end of its useful life, dispose of it according to local laws and regulations. For information about your nearest designated collection point, contact your local authority responsible for waste disposal. In accordance with local legislation, penalties may be applicable for incorrect disposal of this waste.

Europe



■ This symbol means that the product shall not be disposed of together with household or commercial waste. Directive 2012/19/EU on waste electrical and electronic equipment (WEEE) is applicable in the European Union member states. To prevent potential harm to human health and the environment, the product must be disposed of in an approved and environmentally safe recycling process. For information about your nearest designated collection point, contact your local authority responsible for waste disposal. Businesses should contact the product supplier for information about how to dispose of this product correctly.

This product complies with the requirements of Directive 2011/65/EU and 2015/863 on the restriction of the use of certain hazardous substances in electrical and electronic equipment (RoHS).

China



This product complies with the requirements of SJ/T 11364-2024, Marking for the restriction of hazardous substances in electrical and electronic products.

有毒有害物质或元素	
部件名称	电气实装部分
铅 (Pb)	X
汞 (Hg)	○
镉 (Cd)	○
六价铬 (Cr(VI))	○
多溴联苯 (PBB)	○
多溴二苯醚 (PBDE)	○
邻苯二甲酸二正丁酯 (DBP)	○
邻苯二甲酸二异丁酯 (DIBP)	○

邻苯二甲酸丁苄酯 (BBP)	○
邻苯二甲酸二(2-乙基)己酯 (DEHP)	○
<p>○ : 表示该有毒有害物质在该部件均质材料中的含量均在GB/T 26572标准规定的限量要求以下。</p> <p>X: 表示该有毒有害物质至少在该部件的某一均质材料中的含量超出GB/T 26572标准规定的限量要求。</p>	

Contact information

Axis Communications AB
Gränden 1
223 69 Lund
Sweden

Tel: +46 46 272 18 00

axis.com

Warranty information

For information about Axis' product warranty and thereto related information, go to *axis.com/warranty*.

Support

If you need technical assistance, contact your Axis reseller. If your questions can't be answered immediately, your reseller will forward your question through appropriate channels to ensure a quick response. At *axis.com/support* you can:

- download user documentation and software updates
- find answers to your questions in the FAQ portal

- chat with and report problems to Axis support by logging in to your private support area

Cybersecurity

Axis security notification service

Axis provides a notification service with information about vulnerability and other security related matters for Axis devices. To receive notifications, you can subscribe at axis.com/security-notification-service.

Vulnerability management

To minimize customers' risk of exposure, Axis, as a **Common Vulnerability and Exposures (CVE) numbering authority (CNA)**, follows industry standards to manage and respond to discovered vulnerabilities in our devices, software, and services. For more information about Axis vulnerability management policy, how to report vulnerabilities, already disclosed vulnerabilities, and corresponding security advisories, see axis.com/vulnerability-management.

Secure operation of Axis devices

Axis devices with factory default settings are pre-configured with secure default protection mechanisms. We recommend using more security configuration when installing the device. To learn more about Axis' approach to cybersecurity, including best practices, resources, and guidelines for securing your devices, go to axis.com/about-axis/cybersecurity.

Learn more!

Visit Axis learning center axis.com/learning for useful trainings, webinars, tutorials and guides.

Safety information

Hazard levels

DANGER

Indicates a hazardous situation which, if not avoided, will result in death or serious injury.

WARNING

Indicates a hazardous situation which, if not avoided, could result in death or serious injury.

CAUTION

Indicates a hazardous situation which, if not avoided, could result in minor or moderate injury.

NOTICE

Indicates a situation which, if not avoided, could result in damage to property.

Other message levels

Important

Indicates significant information which is essential for the product to function correctly.

Note

Indicates useful information which helps in getting the most out of the product.

Safety instructions

NOTICE

- The Axis product shall be used in compliance with local laws and regulations.
- Store the Axis product in a dry and ventilated environment.
- Avoid exposing the Axis product to shocks or heavy pressure.
- Use only applicable tools when installing the Axis product. Using excessive force with power tools could cause damage to the product.
- Use a soft cloth dampened with pure lukewarm water to clean the device.
- Don't use chemicals such as window cleaner or acetone to clean your device.
- Use only accessories that comply with the technical specification of your product. These can be provided by Axis or a third party. Axis recommends using Axis power source equipment compatible with your product.
- Use only spare parts provided by or recommended by Axis.
- Do not attempt to repair the product yourself. Contact Axis support or your Axis reseller for service matters.

Transportation

NOTICE

- When transporting the Axis product, use the original packaging or equivalent to prevent damage to the product.

Battery

The Axis product uses a 3.85 V AXI02 rechargeable lithium battery as the power supply for the product.

Note

Do not replace the 3.85 V AXI02 battery during the period under which the Axis Hardware Product is covered by the Axis 3-year Limited Hardware Warranty. Replacement of the battery carried out by any other party than Axis during the warranty period voids the main item's warranty. Contact Axis Support or your reseller for matters regarding the battery or other service-related matters.

The 3.85 V AXI02 battery contains 1,3 Propanesultone, CAS no. 1120-71-4.

DANGER

- Do not dispose of the product or batteries in a fire or a hot oven. Risk of explosion.
- Do not leave the product or batteries in any high-temperature environment over 80°C (176°F).
- Do not leave the product or batteries in extremely low or high-temperature surroundings, which can result in leakage of flammable liquid or gas.
- Do not subject the product or batteries to low air pressure that may result in an explosion or leakage of flammable liquid or gas.

WARNING

Always charge the product using an Axis body worn docking station or a 5.0 V USB-C power supply (with AXIS TW1909 charging adaptor) that meets the UL/IEC LPS or PS2 requirements. Never attempt to charge the product by any other means.

Batteries shall not be exposed to excessive heat such as sunshine, fire or the like.

Used batteries should be disposed of according to local regulations or the battery manufacturer's instructions.

If needed the 3.85 V AXI02 rechargeable lithium battery can be replaced using the AXIS TW1911 Battery Kit 5P.

Never expose batteries to excessive heat such as sunshine, fire or similar.

Always dispose used batteries according to local regulations or the battery manufacturer's instructions.

Français

Informations sur la sécurité

Niveaux de risques

DANGER

Indique une situation dangereuse qui, si elle n'est pas évitée, entraînera le décès ou des blessures graves.

AVERTISSEMENT

Indique une situation dangereuse qui, si elle n'est pas évitée, pourrait entraîner le décès ou des blessures graves.

ATTENTION

Indique une situation dangereuse qui, si elle n'est pas évitée, pourrait entraîner des blessures légères ou modérées.

AVIS

Indique une situation qui, si elle n'est pas évitée, pourrait endommager l'appareil.

Autres niveaux de message

Important

Indique les informations importantes, nécessaires pour assurer le bon fonctionnement de l'appareil.

Remarque

Indique les informations utiles qui permettront d'obtenir le fonctionnement optimal de l'appareil.

Consignes de sécurité

AVIS

- Le produit Axis doit être utilisé conformément aux lois et règlements locaux.
- Conserver ce produit Axis dans un environnement sec et ventilé.
- Ne pas exposer ce produit Axis aux chocs ou aux fortes pressions.
- Utiliser uniquement des outils recommandés pour l'installation de l'appareil Axis. L'application d'une force excessive sur l'appareil avec des outils puissants pourrait l'endommager.
- Pour nettoyer le dispositif, utilisez un chiffon doux humide à l'eau tiède pure.
- N'utilisez pas de produits chimiques tels que le nettoyeur pour vitres ou l'acétone pour nettoyer votre dispositif.
- Utiliser uniquement des accessoires conformes aux caractéristiques techniques de votre produit. Ils peuvent être fournis par Axis ou un

tiers. Axis recommande d'utiliser un équipement d'alimentation Axis compatible avec votre produit.

- Utiliser uniquement les pièces de rechange fournies ou recommandées par Axis.
- Ne pas essayer de réparer vous-même ce produit. Contacter l'assistance technique d'Axis ou votre revendeur Axis pour des problèmes liés à l'entretien.

Transport

AVIS

- Lors du transport du produit Axis, utilisez l'emballage d'origine ou un équivalent pour éviter d'endommager le produit.

Batterie

Le produit Axis utilise une batterie au lithium rechargeable AXI02 3,85 V comme alimentation électrique.

La batterie AXI02 de 3,85 V contient du 1,3-propanesultone, CAS n° 1120-71-4.

⚠ DANGER

- Ne pas jeter le produit ou les batteries dans un feu ou dans un four chaud. Risque d'explosion.
- Ne pas laisser le produit ou les batteries dans un environnement à une température supérieure à 80°C (176°F).
- Ne pas laisser pas le produit ou les batteries exposés à des températures extrêmement basses ou élevées, ce qui pourrait entraîner une fuite de liquide ou de gaz inflammable.
- Ne pas soumettre le produit ou les batteries à une faible pression d'air qui peut entraîner une explosion ou une fuite de liquide ou de gaz inflammable.

⚠ AVERTISSEMENT

Toujours charger l'appareil à l'aide d'une station d'accueil de caméra-piéton Axis ou d'une alimentation USB-C 5,0 V (avec un adaptateur AXIS TW1909) conforme UL/IEC LPS ou PS2. Ne jamais essayer de charger le produit par d'autres moyens.

Les batteries ne doivent pas être exposées à une chaleur excessive comme le soleil, le feu ou toute autre source de chaleur.

Les batteries usagées doivent être mises au rebut conformément aux réglementations locales ou aux instructions du fabricant de la batterie.

Si nécessaire, la batterie au lithium rechargeable AXI02 3,85 V peut être remplacée à l'aide du kit de batterie de rechange AXIS TW1911.

Ne jamais exposer les batteries à des chaleurs excessives comme le soleil, un incendie ou tout autre type de chaleur.

Éliminer systématiquement les batteries usagées conformément aux réglementations locales ou aux instructions de leur fabricant.

Remarque

Ne pas remplacer la batterie AXI02 3,85 V durant la période pendant laquelle le produit Axis est couvert par la garantie matérielle limitée Axis de 3 ans. Le remplacement de la batterie effectué par une autre partie qu'Axis pendant la période de garantie annule la garantie de l'élément principal. Contactez l'assistance technique d'Axis ou votre revendeur pour toute question relative à la batterie ou à d'autres problèmes liés à l'entretien.

Sicherheitsinformationen

Gefährdungsstufen

GEFAHR

Weist auf eine gefährliche Situation hin, welche, wenn sie nicht vermieden wird, zum Tod oder zu schweren Verletzungen führen wird.

WARNUNG

Weist auf eine gefährliche Situation hin, welche, wenn sie nicht vermieden wird, zum Tod oder zu schweren Verletzungen führen könnte.

VORSICHT

Weist auf eine gefährliche Situation hin, welche, wenn sie nicht vermieden wird, zu leichteren oder mäßig schweren Verletzungen führen könnte.

HINWEIS

Weist auf eine Situation hin, welche, wenn sie nicht vermieden wird, zu Sachschäden führen könnte.

Andere Meldeebenen

Wichtig

Weist auf wichtige Informationen hin, die den richtigen Betrieb des Produkts gewährleisten.

Hinweis

Weist auf nützliche Informationen hin, die die optimale Verwendung des Produkts unterstützen.

Sicherheitsanweisungen

HINWEIS

- Das Axis Produkt muss unter Beachtung der geltenden Gesetze und Bestimmungen betrieben werden.
- Lagern Sie das Axis Produkt in einer trockenen und belüfteten Umgebung.
- Das Axis Produkt weder Stößen noch starkem Druck aussetzen.
- Verwenden Sie bei der Installation des Axis Produkts ausschließlich passende Werkzeuge. Ein zu großer Kraftaufwand mit elektrischen Werkzeugen kann das Produkt beschädigen.
- Verwenden Sie zur Reinigung des Geräts ein weiches, mit lauwarmem reinen Wasser befeuchtetes Tuch.
- Verwenden Sie zur Reinigung Ihres Geräts keine chemischen Substanzen wie Fensterreiniger oder Aceton.
- Verwenden Sie nur Zubehör, das den technischen Vorgaben Ihres Produkts entspricht. Dieses ist von Axis oder Drittanbietern erhältlich. Axis empfiehlt die mit Ihrem Produkt kompatible Stromversorgung von Axis.
- Verwenden Sie ausschließlich Ersatzteile die von Axis angeboten oder empfohlen werden.
- Versuchen Sie nicht, dieses Produkt selbsttätig zu reparieren. Wenden Sie sich bezüglich Reparatur und Wartung an den Axis Support oder Ihren Axis Händler.

Transport

HINWEIS

- Bei Bedarf transportieren Sie das Axis Produkt in der Originalverpackung oder einer entsprechenden Verpackung, so dass Schäden vermieden werden.

Batterie

Das Axis Produkt wird von einem wiederaufladbaren Lithium-Akku 3,85 V AXI02 mit Strom versorgt.

Der Akku 3,85 V AXI02 enthält 1,3-Propansultone, CAS-Nr. 1120-71-4.

⚠ GEFAHR

- Entsorgen Sie das Produkt bzw. die Batterien nicht in einem Feuer oder in einem heißen Ofen. Explosionsgefahr.
- Lassen Sie das Produkt oder die Batterien nicht in einer Umgebung mit hohen Temperaturen von über 80 °C (176 °F) liegen.
- Lassen Sie das Produkt oder die Batterien nicht in einer Umgebung mit extrem niedriger oder hoher Temperatur, da dies zum Austreten von entflammaren Flüssigkeiten oder Gasen führen kann.
- Setzen Sie das Produkt oder die Batterien nicht unter niedrigen Luftdruck, da dies zu einer Explosion oder zum Austreten von entflammaren Flüssigkeiten oder Gasen führen kann.

⚠ WARNUNG

Laden Sie das Produkt immer mit einer Axis Dockingstation für Bodycams oder einem 5,0 V USB-C-Netzteil (mit Ladeadapter AXIS TW1909) auf, das die Anforderungen gemäß UL/IEC LPS oder PS2 erfüllt. Versuchen Sie niemals, das Produkt auf andere Weise aufzuladen.

Akkus niemals übermäßiger Hitze wie Sonne, Feuer oder ähnlichen Wärmequellen aussetzen.

Verbrauchte Batterien gemäß den örtlichen Vorschriften oder den Anweisungen des Herstellers entsorgen.

Bei Bedarf kann der wiederaufladbare Lithium-Akku 3,85 V AXI02 durch den Akkuaustauschsatz AXIS TW1911 ersetzt werden.

Setzen Sie Batterien niemals übermäßiger Hitze wie Sonne, Feuer oder ähnlichem aus.

Verbrauchte Batterien sind stets gemäß den örtlichen Vorschriften oder den Anweisungen des Herstellers zu entsorgen.

Hinweis

Ersetzen Sie den Akku 3,85 V AXI02 nicht während des Zeitraums, in dem das Axis Hardwareprodukt von der eingeschränkten 3-jährigen Gewährleistung für Hardware von Axis abgedeckt ist. Wenn der Akku während der Gewährleistungsfrist von einer anderen Partei als Axis ausgetauscht wurde, erlischt die Gewährleistung für den Hauptartikel. Wenden Sie sich bezüglich Akkuproblemen oder sonstiger Reparatur- und Wartungsarbeiten an den Axis Support oder Ihren Händler.

Italiano

Informazioni di sicurezza

Livelli di pericolo

PERICOLO

Indica una situazione pericolosa che, se non evitata, provoca morte o lesioni gravi.

⚠ AVVISO

Indica una situazione pericolosa che, se non evitata, potrebbe provocare la morte o lesioni gravi.

⚠ ATTENZIONE

Indica una situazione pericolosa che, se non evitata, potrebbe provocare lesioni medie o minori.

AVVISO

Indica una situazione che, se non evitata, potrebbe danneggiare la proprietà.

Altri livelli di messaggio

Importante

Indica informazioni importanti, essenziali per il corretto funzionamento del dispositivo.

Nota

Indica informazioni utili che aiutano a ottenere il massimo dal dispositivo.

Istruzioni per la sicurezza

AVVISO

- Il dispositivo Axis deve essere utilizzato in conformità alle leggi e alle normative locali.
- Conservare il dispositivo Axis in un ambiente asciutto e ventilato.
- Evitare di esporre il dispositivo Axis a urti o pressioni eccessive.
- Utilizzare solo strumenti applicabili quando si installa il prodotto Axis.

Se si utilizza una forza eccessiva con strumenti non adatti è possibile causare danni al dispositivo.

- Usare un panno morbido inumidito con acqua pura tiepida per pulire il dispositivo.
- Non utilizzare sostanze chimiche come detersivi per vetri o acetone per pulire il dispositivo.
- Utilizzare solo accessori compatibili con le specifiche tecniche del dispositivo. Questi possono essere forniti da Axis o da terze parti. Axis consiglia l'uso dell'apparecchiatura di alimentazione Axis compatibile con il dispositivo.
- Utilizzare solo parti di ricambio fornite o consigliate da Axis.
- Non tentare di riparare il dispositivo da soli. Contattare l'assistenza o il rivenditore Axis per questioni relative alla manutenzione.

Trasporto

AVVISO

- Durante il trasporto del dispositivo Axis, utilizzare l'imballaggio originale o equivalente per evitare danni al dispositivo.

Batteria

Il dispositivo Axis utilizza una batteria al litio ricaricabile AXI02 da 3,85 V come alimentatore per il dispositivo.

La batteria AXI02 da 3,85 V contiene 1,3 propansultone, n. CAS 1120-71-4.

⚠ PERICOLO

- Non gettare il prodotto o le batterie nel fuoco o in un forno caldo. Rischio di esplosione.
- Non lasciare il dispositivo o le batterie in ambienti ad alta temperatura oltre gli 80 °C (176 °F).
- Non lasciare il dispositivo o le batterie in ambienti a temperature estremamente basse o alte. Ciò può provocare perdite di liquido infiammabile o gas.
- Non sottoporre il dispositivo o le batterie a bassa pressione dell'aria. Ciò può provocare un'esplosione o perdite di liquido infiammabile o gas.

⚠ AVVISO

Ricaricare sempre il dispositivo utilizzando una docking station per Body Cam Axis o un alimentatore USB-C da 5,0 V (con adattatore di ricarica AXIS TW1909) che soddisfi i requisiti UL/IEC LPS o PS2. Non tentare mai di caricare il dispositivo con altri mezzi.

Le batterie non devono essere esposte a calore eccessivo come luce del sole, fuoco o simili.

Le batterie esaurite devono essere smaltite in base alle normative locali o alle istruzioni del produttore della batteria.

Se necessario, è possibile sostituire la batteria al litio ricaricabile AXI02 da 3,85 V utilizzando AXIS TW1911 Battery Replacement Kit.

Mai esporre le batterie a un calore eccessivo come la luce del sole, il fuoco o simili.

Smaltire sempre le batterie usate in base alle normative locali o alle istruzioni del produttore della batteria.

Nota

Non sostituire la batteria AXI02 da 3,85 V durante il periodo durante il quale il dispositivo hardware Axis è coperto dalla Garanzia limitata hardware di 3 anni Axis. La sostituzione della batteria eseguita da una parte diversa da Axis durante il periodo di garanzia annulla la garanzia dell'articolo principale. Contattare l'assistenza Axis o il rivenditore per questioni riguardanti la batteria o altre questioni relative al servizio.

Español

Información de seguridad

Niveles de peligro

⚠ PELIGRO

Indica una situación peligrosa que, si no se evita, provocará lesiones graves o la muerte.

⚠ ADVERTENCIA

Indica una situación peligrosa que, si no se evita, puede provocar lesiones graves o la muerte.

⚠ PRECAUCIÓN

Indica una situación peligrosa que, si no se evita, puede provocar lesiones moderadas o leves.

AVISO

Indica una situación peligrosa que, si no se evita, puede provocar daños materiales.

Otros niveles de mensaje

Importante

Indica información importante que es fundamental para que el producto funcione correctamente.

Nota

Indica información útil que ayuda a aprovechar el producto al máximo.

Instrucciones de seguridad

AVISO

- Este producto de Axis debe utilizarse de acuerdo con las leyes y normativas locales.
- Almacene el producto de Axis en un entorno seco y ventilado.
- Evite exponer el producto Axis a golpes o presiones excesivas.
- Use solo las herramientas adecuadas al instalar el producto Axis. La aplicación de una fuerza excesiva con herramientas eléctricas puede provocar daños en el producto.
- Utilice un paño suave humedecido con agua pura y tibia para limpiar el dispositivo.
- No utilice productos químicos como un limpiacristales o acetona para limpiar el dispositivo.
- Utilice solo accesorios que cumplan con las especificaciones técnicas de su producto. Puede obtenerlos de Axis o de un tercero. Axis recomienda utilizar un equipo de suministro de alimentación de Axis compatible con su producto.
- Utilice solo piezas de recambio suministradas o recomendadas por Axis.
- No intente reparar el producto usted mismo. Contacte con el servicio de asistencia de Axis o a su distribuidor de Axis para cualquier tema relacionado con el mantenimiento.

Transporte

AVISO

- Cuando transporte el producto de Axis, utilice el embalaje original o un equivalente para evitar daños en el producto.

Batería

El producto de Axis utiliza una batería de litio recargable AXI02 de 3,85 V como fuente de alimentación para el producto.

La batería AXI02 de 3,85 V contiene 1,3 propanosulfona, n.º CAS 1120-71-4.

⚠ PELIGRO

- No ponga el producto ni las baterías en el fuego ni en un horno caliente. Riesgo de explosión.
- No deje el producto ni las baterías en ningún lugar a una temperatura superior a 80 °C (176 °F).
- No deje el producto ni las baterías en lugares a temperaturas extremadamente baja o alta, ya que podrían producirse fugas de líquido o gas inflamable.
- No someta el producto ni las baterías a una presión de aire baja que pueda provocar una explosión o fugas de líquido o gas inflamable.

⚠ ADVERTENCIA

Cargue siempre el producto mediante una base para dispositivos corporales de Axis o una fuente de alimentación USB-C de 5,0 V (con AXIS TW1909 Charging Adapter) que cumpla los requisitos de UL/IEC LPS o PS2. No intente nunca cargar el producto de otra manera.

Las baterías no deben estar expuestas a calor excesivo como luz solar, fuego, etc.

Las baterías usadas deben desecharse de conformidad con la normativa local o las instrucciones del fabricante.

Si es necesario, la batería de litio recargable AXI02 de 3,85 V puede sustituirse con el AXIS TW1911 Battery Replacement Kit.

No exponga nunca las baterías a calor excesivo, como luz solar, fuego, etc.

Deseche siempre las baterías usadas de conformidad con la normativa local o las instrucciones del fabricante.

Nota

No sustituya la batería AXI02 de 3,85 V durante el período en el que el producto de hardware Axis esté cubierto por la garantía limitada de hardware de Axis de 3 años. La sustitución de la batería realizada por otros fabricantes distintos de Axis durante el periodo de la garantía anula la garantía del artículo principal. Póngase en contacto con el servicio de asistencia técnica de Axis o con su distribuidor para obtener información sobre la batería u otros asuntos relacionados con el servicio.

日本語

安全情報

危険レベル

危険

回避しない場合、死亡または重傷につながる危険な状態を示します。

⚠ 警告

回避しない場合、死亡または重傷につながるおそれのある危険な状態を示します。

⚠ 注意

回避しない場合、軽傷または中程度の怪我につながるおそれのある危険な状態を示します。

注意

回避しない場合、器物の破損につながるおそれのある状態を示します。

その他のメッセージレベル

重要

製品を正しく機能させるために不可欠な重要情報を示します。

注

製品を最大限に活用するために役立つ有用な情報を示します。

安全に関する指示

注意

- 本製品は、お使いになる地域の法律や規制に準拠して使用してください。
- 本製品は乾燥した換気のよい環境に保管してください。
- 本製品に衝撃または強い圧力を加えないでください。
- 本製品を設置する際には、適切な工具のみを使用してください。

い。電動工具を使用して過剰な力をかけると、製品が損傷することがあります。

- 装置のクリーニングには、ぬるま湯で湿らせた柔らかい布を使用してください。
- 窓ガラス用洗剤やアセトンなどの化学薬品を使用して装置をクリーニングしないでください。
- 製品の技術仕様に準拠したアクセサリーのみを使用してください。これらのアクセサリーは、Axisまたはサードパーティから入手できます。Axisは、ご使用の製品と互換性のあるAxis給電ネットワークスイッチの使用を推奨します。
- Axisが提供または推奨する交換部品のみを使用してください。
- 製品を自分で修理しないでください。修理については、Axisサポートまたは販売代理店にお問い合わせください。

輸送

注意

- 本製品を運搬する際は、製品が損傷しないよう、元の梱包か同等の梱包を使用してください。

バッテリー

本Axis製品は、製品の電源として、再充電可能なリチウムバッテリー 3.85 V AXI02を使用しています。

3.85 V AXI02バッテリーには、1.3 プロパンスルトン、CAS no. 1120-71-4が含まれています。

⚠ 危険

- 本製品またはバッテリーを火や高温のオープンに廃棄しないでください。バッテリーが破裂する危険があります。
- 本製品またはバッテリーを80° C (176° F)を超える高温の環境に放置しないでください。
- 本製品またはバッテリーを極端に低温または高温の環境に放置しないでください。可燃性の液体やガスが漏れる恐れがあります。
- 本製品またはバッテリーを低気圧にさらさないでください。爆発したり、可燃性の液体やガスが漏れたりする恐れがあります。

⚠ 警告

本製品の充電には必ず、Axisの装着式ドッキングステーションを使用するか、UL/IEC LPSまたはPS2の要件を満たす5.0 V USB-C電源ユニット(Axis TW1909充電アダプタ付き)を使用してください。他の方法で本製品を充電しないでください。

バッテリーは、日光や火気などの過度の熱にさらさないでください。

使用済みバッテリーは、地域の規制またはバッテリーメーカーの指示に従って廃棄してください。

必要に応じて、3.85 V AXI02充電式リチウムバッテリーは、Axis TW1911バッテリー交換キットを使用して交換できます。

バッテリーを日光や火などの過度の熱にさらさないでください。

使用済みバッテリーは必ず、地域の規制またはバッテリーメーカーの指示に従って廃棄してください。

注

Axisハードウェア製品がAxis 3年限定ハードウェア保証の対象期間中は、3.85 V AXI02バッテリーを交換しないでください。保証期間中にAxis以外がバッテリーを交換した場合、本体保証は無効です。バッテリーまたはその他のサービス関連の問題については、Axisサポートまたは販売代理店にお問い合わせください。

Português

Informações sobre segurança

Níveis de perigo

⚠ PERIGO

Indica uma situação perigosa que, se não evitada, irá resultar em morte ou lesões graves.

⚠ AVISO

Indica uma situação perigosa que, se não evitada, poderá resultar em morte ou lesões graves.

⚠ CUIDADO

Indica uma situação perigosa que, se não evitada, poderá resultar em lesões leves ou moderadas.

OBSERVAÇÃO

Indica uma situação perigosa que, se não evitada, poderá resultar em danos à propriedade.

Outros níveis de mensagens

Importante

Indica informações significativas que são essenciais para o produto funcionar corretamente.

Observação

Indica informações úteis que ajudam a obter o máximo do produto.

Instruções de segurança

OBSERVAÇÃO

- O produto Axis deve ser usado em conformidade com as leis e regulamentações locais.
- Armazene o produto Axis em um ambiente seco e ventilado.
- Evite expor o produto Axis a impactos ou pressão elevada.
- Use apenas as ferramentas recomendadas ao instalar o produto Axis. O uso de força excessiva com ferramentas elétricas poderia danificar o produto.
- Use um pano macio umedecido com água morna para limpar o dispositivo.
- Não use produtos químicos como limpa-vidros ou acetona para limpar o dispositivo.
- Utilize apenas acessórios que atendam às especificações técnicas do produto. Esses poderão ser fornecidos pela Axis ou por terceiros. A Axis recomenda usar equipamento de fonte de alimentação Axis compatível com seu produto.
- Utilize apenas peças sobressalentes fornecidas ou recomendadas pela Axis.
- Não tente reparar o produto por conta própria. Entre em contato com o suporte ou seu revendedor Axis para quaisquer questões relacionadas a serviços.

Transporte

OBSERVAÇÃO

- Ao transportar o produto Axis, use a embalagem original ou equivalente para evitar danos ao produto.

Bateria

O produto Axis usa uma bateria recarregável de lítio 3,85 V AXI02 como fonte de alimentação.

A bateria 3,85 V AXI02 contém 1,3 de propanossulfona, CAS n.º 1120-71-4.

⚠ PERIGO

- Não descarte o produto ou as baterias no fogo nem em um forno quente. Há risco de explosão.
- Não deixe o produto ou as baterias em ambientes com temperaturas superiores a 80 °C (176 °F).
- Não deixe o produto ou as baterias em ambientes com temperaturas extremamente baixas ou altas, o que pode resultar em vazamento de líquido ou gás inflamáveis.
- Não submeta o produto ou as baterias a pressões de ar baixas que poderiam resultar em explosões ou vazamento de líquido ou gás inflamável.

⚠ AVISO

Sempre carregue o produto usando uma estação de acoplamento para dispositivos de uso corporal Axis ou uma fonte de alimentação USB-C de 5,0 V (com adaptador de carregamento AXIS TW1909) que atenda aos requisitos UL/IEC LPS ou PS2. Nunca tente carregar a bateria do produto de outras formas.

As baterias não devem ser expostas a calor excessivo, como luz do sol, fogo ou algo semelhante.

Baterias usadas devem ser descartadas de acordo com as regulamentações locais ou as instruções do fabricante da bateria.

Se necessário, a bateria recarregável de lítio 3,85 V AXI02 pode ser substituída usando o kit de substituição de bateria AXIS TW1911.

Nunca exponha baterias a aquecimento excessivo, como luz solar, fogo ou similares.

Sempre descarte as baterias usadas de acordo com as regulamentações locais ou as instruções do fabricante da bateria.

Observação

Não substitua a bateria 3,85 V AXI02 durante o período em que o produto de hardware Axis estiver coberto pela garantia limitada de hardware de 3 anos da Axis. A substituição da bateria realizada por qualquer outra parte que não a Axis durante o período de garantia anula a garantia do item principal. Entre em contato com o suporte da Axis ou com seu revendedor para questões relacionadas à bateria ou outros assuntos relacionados a serviços.

РУССКИЙ

Сведения по безопасности

Уровни опасности

ОПАСНО

Опасная ситуация, которая, если ее не устранить, приведет к смерти или опасным травмам.

⚠ ВНИМАНИЕ!

Опасная ситуация, которая, если ее не устранить, может привести к смерти или опасным травмам.

⚠ ОСТОРОЖНО

Опасная ситуация, которая, если ее не устранить, может привести к травмам незначительной или средней тяжести.

ПРИМЕЧАНИЕ.

Опасная ситуация, которая, если ее не устранить, может вызвать повреждение имущества.

Прочие уведомления

Внимание

Означает существенную информацию, которая важна для правильной работы изделия.

Примечание

Означает полезную информацию, которая помогает использовать все возможности изделия.

Инструкции в экстренных ситуациях

ПРИМЕЧАНИЕ.

- Это изделие Axis следует использовать в соответствии с местными законами и нормативами.
- Камера Axis должна храниться в сухом, хорошо проветриваемом помещении.
- Не допускайте ударов или сильного давления на устройство Axis.
- При установке устройства Axis используйте только предназначенные для этого инструменты. Приложение

чрезмерных усилий к инструментам может привести к повреждению устройства.

- Для очистки устройства используйте мягкую ткань, смоченную в чистой умеренно теплой воде.
- Не используйте для очистки устройства средство для мытья окон, ацетон и другие подобные химические вещества.
- Используйте только принадлежности, которые соответствуют техническим характеристикам данного устройства. Они могут поставляться компанией Axis или сторонним производителем. Компания Axis рекомендует использовать блоки питания Axis, совместимые с устройством.
- Используйте только запасные части, поставляемые или рекомендованные компанией Axis.
- Не пытайтесь отремонтировать устройство самостоятельно. По вопросам обслуживания обращайтесь в службу поддержки Axis или к своему реселлеру Axis.

Транспортировка

ПРИМЕЧАНИЕ.

- При транспортировке устройства Axis используйте оригинальную упаковку или ее эквивалент во избежание повреждения изделия.

Батарея

В продукте Axis в качестве источника питания используется литиевый аккумулятор AXI02 с напряжением 3,85 В.

Батарея AXI02 с напряжением 3,85 В содержит 1,3-пропансульфон, номер CAS 1120-71-4.

⚠ ОПАСНО

- Не бросайте устройство или аккумулятор в огонь или на горячую печь. Риск взрыва.
- Не оставляйте устройство или аккумуляторы в среде с температурой выше 80°C (176°F).
- Не оставляйте устройство или аккумуляторы в среде с очень низкой или очень высокой температурой во избежание утечки горючей жидкости или газа.
- Не подвергайте устройство или аккумуляторы воздействию низкого давления воздуха во избежание взрыва либо утечки горючей жидкости или газа.

⚠ ВНИМАНИЕ!

Всегда заряжайте устройство с помощью док-станции Axis для настольных камер или источника питания USB-C с напряжением 5,0 В (с зарядным адаптером AXIS TW1909), соответствующего требованиям IEC LPS или PS2. Ни в коем случае не пытайтесь заряжать устройство другим образом.

Аккумуляторы не следует подвергать чрезмерному нагреву, в том числе воздействию солнечного света и огня.

Утилизация использованных аккумуляторов должна выполняться в соответствии с местными нормативными требованиями или указаниями производителя аккумуляторов.

При необходимости литиевый аккумулятор AXI02 с напряжением 3,85 В можно заменить, воспользовавшись комплектом AXIS TW1911 Battery Replacement Kit.

Ни в коем случае не подвергайте аккумуляторы воздействию чрезмерного тепла, например солнечного света, огня и т. п.

Утилизация использованных аккумуляторов должна всегда выполняться в соответствии с местными нормативными требованиями или указаниями производителя аккумулятора.

Примечание

Не заменяйте аккумулятор AXI02 с напряжением 3,85 В в период действия 3-летней ограниченной гарантии на оборудование Axis для вашего продукта. Замена аккумулятора в течение гарантийного периода кем-либо, кроме компании Axis, приведет к прекращению действия гарантии Axis на ваш продукт. По вопросам, связанным с аккумулятором или с обслуживанием, обращайтесь в службу поддержки Axis или к своему реселлеру.

한국어

안전 정보

위험 레벨

⚠ 위험

피하지 못한 경우 사망이나 심각한 부상이 발생하는 위험한 상황을 나타냅니다.

⚠ 경고

피하지 못한 경우 사망이나 심각한 부상이 발생할 수 있는 위험한 상황을 나타냅니다.

⚠ 주의

피하지 못한 경우 경미하거나 심하지 않은 부상이 발생할 수 있는 위험한 상황을 나타냅니다.

통지

피하지 못한 경우 재산상 손해가 발생할 수 있는 상황을 나타냅니다.

기타 메시지 레벨

중요 사항

제품이 올바르게 작동하는 데 필수적인 중요 정보를 나타냅니다.

비고

제품을 최대한으로 활용하는 데 도움이 되는 유용한 정보를 나타냅니다.

안전 지침

통지

- Axis 제품은 해당 지역 법률 및 규정을 준수하여 사용해야 합니다.
- Axis 제품은 건조하고 환기가 잘 되는 곳에 보관하십시오.
- Axis 제품에 충격이나 강한 압력을 가하지 마십시오.
- Axis 제품을 설치할 때에는 적합한 도구만 사용하십시오. 전동 공구로 과도한 힘을 사용하면 제품에 손상을 줄 수 있습니다.
- 미지근한 물에 적신 부드러운 천으로 장치를 세척합니다.
- 창문 세정제나 아세톤과 같은 화학 물질을 사용하여 장치를 세척하지 마십시오.
- 제품의 기술적 사양을 준수하는 액세서리만 사용하십시오. 이러한 액세서는 Axis 또는 제3자가 제공할 수 있습니다. Axis는 귀하의 제품과 호환되는 Axis 전원 장비 사용을 권장합니다.
- Axis가 공급하거나 추천하는 예비 부품만 사용하십시오.
- 제품을 직접 수리하려고 하지 마십시오. 서비스 문제에 대해 Axis 지원 부서 또는 Axis 리셀러에 문의하십시오.

운반

통지

- Axis 제품을 운반할 때는 원래 포장이나 이에 준하는 포장을 사용해 제품이 손상되지 않도록 하십시오.

배터리

Axis 제품은 3.85V AXI02 충전식 리튬 배터리를 제품의 전원 공급 장치로 사용합니다.

3.85 V AXI02 배터리에는 1,3 프로판설통, CAS no. 1120-71-4가 포함되어 있습니다.

⚠ 위험

- 화기 또는 뜨거운 오븐에 제품이나 배터리를 넣지 마십시오. 폭발할 위험이 있습니다.
- 제품이나 배터리를 80°C (176°F) 이상의 고온 환경에 두지 마십시오.
- 가연성 액체 또는 가스 누출 가능성이 있는 극저온 또는 고온 환경에 제품 또는 배터리를 두지 마십시오.
- 가연성 액체 또는 가스 폭발이나 누출 가능성이 있는 낮은 기압에 제품이나 배터리를 방치하면 안 됩니다.

⚠ 경고

Axis 본체에 장착하는 도킹 스테이션 또는 UL/IEC LPS 또는 PS2 요건을 충족하는 5.0V USB-C 전원 공급 장치(Axis TW1909 충전 어댑터 탑재)로 항상 제품을 충전하십시오. 절대 다른 방법으로 제품을 충전하려고 시도하지 마십시오.

배터리는 햇빛, 불 등과 같은 과도한 열에 노출되어서는 안 됩니다.

사용한 배터리는 해당 지역 규정 또는 배터리 제조업체의 지침에 따라 폐기하십시오.

필요한 경우 AXIS TW1911 배터리 교체 키트를 사용하여 3.85 V AXI02 충전식 리튬 배터리를 교체할 수 있습니다.

햇빛, 불과 같은 과도한 열에 배터리를 노출시키면 안 됩니다.

사용한 배터리는 항상 해당 지역 규정 또는 배터리 제조업체의 지침에 따라 폐기해야 합니다.

비고

Axis 하드웨어 제품에 Axis 3년 하드웨어 제한 보증이 적용되는 기간에는 3.85 V AXI02 배터리를 교체하지 마십시오. 보증 기간 동안 Axis가 아닌 다른 사람이 배터리를 교체하면 주요 품목의 보증이 무효화됩니다. 배터리 또는 기타 서비스 관련 문제에 대해서는 Axis 지원 또는 대리점에 문의하십시오.

中文

安全信息

危險等級

⚠ 危險

表示如果不避免则会导致死亡或严重伤害的危險情况。

⚠ 警告

表示如果不避免则可能导致死亡或严重伤害的危險情况。

⚠ 警示

表示如果不避免则可能导致轻微或中度伤害的危險情况。

注意

表示如果不避免则可能导致财产损失的情况。

其他消息等级

重要

表示产品正常工作所必需的重要信息。

注意

表示有助于充分利用产品的有用信息。

安全说明

注意

- 使用安讯士产品时应遵守当地法律和法规。
- 在干燥通风的环境中存放安讯士产品。
- 避免将安讯士产品暴露在冲击或重压下。
- 安装安讯士产品时，仅使用适用的工具。使用电动工具过度施力可能导致产品损坏。
- 使用蘸有温水的软布清洁设备。
- 请勿使用窗户清洁剂或丙酮等化学品来清洁设备。
- 仅使用符合产品技术规格的附件。这些附件可由安讯士或第三方提供。安讯士推荐使用与产品兼容的安讯士电源设备。
- 仅使用安讯士提供或推荐的备件。
- 请勿尝试自行维修产品。有关服务事项，请联系安讯士支持部门或安讯士经销商。

运输

注意

- 安讯士产品运输途中，应使用其原包装或等效包装，以防对产品造成损坏。

电池

Axis 产品使用 3.85 V AXI02 充电锂电池作为产品的电源。

3.85 V AXI02 电池含有 1,3-丙烷磺酸内酯，CAS 编号为 1120-71-4。

⚠ 危险

- 请勿将本产品或电池放在明火环境或热烤箱中处理。爆炸风险。
- 请勿将本产品或电池放在温度超过 80° C (176° F) 的高温环境中。
- 请勿将本产品或电池放在温度非常低或高的环境中，这可能会导致易燃液体或气体泄漏。
- 请勿将本产品或电池置于可能导致易燃液体或气体爆炸或泄漏的低气压环境下。

⚠ 警告

应始终使用可随身携带的 Axis 插接站或符合 UL/IEC LPS 或 PS2 要求的 5.0 V USB-C 电源（搭配 AXIS TW1909 充电适配器）为本产品充电。切勿尝试通过其他方式为本产品充电。

电池不得暴露在阳光、火焰等过热环境中。

应根据当地法规或电池制造商的说明处理废电池。

如果需要，可以使用 AXIS TW1911 Battery Replacement Kit 替换 3.85 V AXI02 充电锂电池。

切勿将电池暴露在超高温环境下，如阳光直射、明火或类似环境。

应始终根据当地法规或电池制造商的说明处理废电池。

注意

当 Axis 硬件产品在 Axis 3 年有限硬件保修范围内时，请勿更换 3.85 V AXI02 电池。在保修期内，由 Axis 以外的其他方进行的电

池更換將使主要項目的保修失效。請與 Axis 支持部門或經銷商聯繫，了解有關電池或其他與服務相關的事宜。

繁體中文

安全資訊

危險等級

⚠ 危險

表示如果不避免，此危險情況會導致死亡或嚴重傷害。

⚠ 警告

表示如果不避免，此危險情況可能導致死亡或嚴重傷害。

⚠ 小心

表示如果不避免，此危險情況可能導致輕度或中度傷害。

注意

表示如果不避免，此情況可能導致財產損壞。

其他訊息等級

重要

表示是產品正常運作所不可缺少的重要資訊。

附註

表示是能充分發揮產品功能的實用資訊。

安全指示

注意

- Axis 產品的使用應符合當地法規。
- 請將安迅士產品存放在乾燥且通風良好的環境中。
- 避免讓 Axis 產品受到衝擊或重壓。
- 安裝 Axis 產品時，僅可使用適合的工具。使用電動工具時，過度施力可能會造成產品損壞。
- 使用沾有純淨溫水的軟布清潔設備。
- 請勿使用窗戶清潔劑或丙酮等化學物質來清潔設備。
- 所有配件必須符合產品的技術規格。可由 Axis 或第三方供應商提供。Axis 建議使用相容於產品的 Axis 電源設備。
- 只使用 Axis 提供或推薦的備用零件。
- 請勿嘗試自行修理產品。請向 Axis 技術支援人員或 Axis 經銷商洽詢維修事宜。

運輸

注意

- 當運送安迅士產品時，請使用原包裝或有相同保護效果的包裝，以防止產品損壞。

電池

Axis 產品使用 3.85 V AXI02 可充電鋰電池當做產品電源。

3.85 V AXI02 電池含有 1,3-丙烷礦內酯，CAS no. 1120—71—4。

⚠ 危險

- 請勿將產品或電池丟入火中或熱爐中。爆炸的危險。
- 請勿將產品或電池置於超過 80° C (176° F) 的高溫環境中。
- 請勿將產品或電池放置在極低溫或極高溫的環境中，否則可能導致易燃液體或氣體洩漏。
- 請勿將產品或電池置於低氣壓下，否則可能導致易燃液體或氣體爆炸或洩漏。

⚠ 警告

請務必使用符合 UL/IEC LPS 或 PS2 要求的 Axis 穿戴式擴充基座或 5.0 V USB-C 電源 (含 AXIS TW1909 充電轉接器) 為產品充電。切勿嘗試透過任何其他方式為產品充電。

電池不應暴露在過熱的環境中，例如：陽光、火等。

廢電池應依照當地法規或電池製造商的指示做妥善的回收處理。

如有需要，可使用 AXIS TW1911 Battery Replacement Kit 更換 3.85 V AXI02 可充電鋰電池。

切勿將電池暴露在過熱的環境中，例如陽光、火或類似環境。

使用過的電池務必依照當地法規或電池製造商的說明做妥善的處理。

附註

在 Axis 硬體產品的 3 年有限硬體保固期內，請勿更換 3.85 V AXI02 電池。在保固期內由 Axis 以外的任何其他方更換電池將使主要項目的保固失效。有關電池或其他維修相關事宜，請聯絡 Axis 支援人員或您的經銷商。

Bahasa Indonesia

Informasi keselamatan

Tingkat bahaya

⚠ BAHAYA

Menunjukkan situasi berbahaya yang jika tidak dihindari akan menyebabkan kematian atau cedera parah.

⚠ PERINGATAN

Menunjukkan situasi berbahaya yang jika tidak dihindari dapat mengakibatkan kematian atau cedera parah.

⚠ PERHATIAN

Menunjukkan situasi berbahaya yang jika tidak dihindari dapat menyebabkan cedera ringan atau sedang.

PEMBERITAHUAN

Menunjukkan situasi yang jika tidak dihindari dapat menyebabkan kerusakan properti.

Tingkat status pesan lainnya

Penting

Menunjukkan informasi utama yang sangat penting agar produk dapat berfungsi normal.

Catatan

Menunjukkan informasi berguna yang membantu mengoptimalkan fungsi produk.

Petunjuk keselamatan

PEMBERITAHUAN

- Produk Axis harus digunakan sesuai dengan hukum dan peraturan setempat.
- Simpan produk Axis di lingkungan yang kering dan berventilasi.
- Pastikan produk Axis tidak terkena guncangan atau tekanan berat.
- Hanya gunakan alat yang sesuai ketika memasang produk Axis.

Penggunaan perkakas listrik (power tool) dengan gaya berlebih dapat menyebabkan kerusakan pada produk.

- Gunakan kain lembut yang dibasahi dengan air hangat untuk membersihkan perangkat.
- Jangan gunakan bahan kimia seperti pembersih jendela, atau aseton untuk membersihkan perangkat Anda.
- Hanya gunakan aksesori yang sesuai dengan spesifikasi teknis produk Anda. Aksesori dapat disediakan oleh Axis atau pihak ketiga. Axis menyarankan penggunaan peralatan sumber daya Axis yang kompatibel dengan produk Anda.
- Hanya gunakan suku cadang yang disediakan atau disarankan oleh Axis.
- Jangan mencoba untuk memperbaiki produk sendiri. Hubungi staf dukungan Axis atau Axis reseller untuk hal-hal terkait servis.

Pengangkutan

PEMBERITAHUAN

- Ketika mengangkut produk Axis, gunakan kemasan asli atau setara untuk mencegah kerusakan pada produk.

Baterai

Produk Axis menggunakan baterai lithium isi ulang AXI02 bertegangan 3,85 V sebagai catu daya untuk produk tersebut.

Baterai AXI02 3,85 V mengandung 1,3 Propanesultone, nomor CAS 1120-71-4.

⚠ BAHAYA

- Jangan membuang produk atau baterai ke dalam api atau oven panas. Risiko ledakan.
- Jangan biarkan produk atau baterai berada di lingkungan dengan suhu tinggi di atas 80°C (176°F).
- Jangan biarkan produk atau baterai berada di lingkungan dengan suhu sangat rendah atau sangat tinggi, karena hal ini dapat menyebabkan kebocoran cairan atau gas yang mudah terbakar.
- Jangan menempatkan produk atau baterai di lingkungan dengan tekanan udara rendah yang berpotensi menyebabkan ledakan atau kebocoran cairan atau gas yang mudah terbakar.

⚠ PERINGATAN

Selalu isi daya produk menggunakan stasiun docking Axis yang dikenakan di tubuh atau catu daya USB-C 5,0 V (dengan adaptor pengisian daya AXIS TW1909) yang memenuhi persyaratan UL/IEC LPS atau PS2. Jangan pernah mencoba mengisi daya produk dengan cara lain.

Baterai tidak boleh terpapar panas berlebihan seperti sinar matahari, api, atau sumber panas lainnya.

Baterai bekas harus dibuang sesuai peraturan setempat atau petunjuk dari produsen baterai.

Jika diperlukan, baterai lithium isi ulang AXI02 3,85 V dapat diganti menggunakan Kit Penggantian Baterai AXIS TW1911.

Jangan pernah paparkan baterai pada panas berlebih seperti sinar matahari, api, atau sumber panas lainnya.

Selalu buang baterai bekas sesuai dengan peraturan setempat atau petunjuk produsen baterai.

Catatan

Jangan melakukan penggantian baterai AXI02 3,85 V selama Produk Perangkat Keras Axis masih dalam masa Garansi Terbatas Perangkat Keras Axis selama 3 tahun. Penggantian baterai yang dilakukan oleh pihak mana pun selain Axis selama masa garansi akan membatalkan garansi produk utama. Hubungi Axis Support atau reseller Anda untuk masalah yang berkaitan dengan baterai atau masalah layanan lainnya.

Türk

Güvenlik bilgileri

Tehlike seviyeleri

⚠ TEHLİKE

Önlenmediği takdirde ölüme veya ciddi yaralanmaya yol açacak tehlikeli bir durumu belirtir.

⚠ UYARI

Önlenmediği takdirde ölüme veya ciddi yaralanmaya yol açabilecek tehlikeli bir durumu belirtir.

⚠ DİKKAT

Önlenmediği takdirde küçük veya orta derecede yaralanmaya yol açabilecek tehlikeli bir durumu belirtir.

İKAZ

Önlenmediği takdirde mülk hasarına yol açabilecek bir durumu belirtir.

Diğer mesaj seviyeleri

Önemli

Ürünün doğru şekilde çalışması için gerekli olan önemli bilgileri belirtir.

Not

Üründen en iyi şekilde yararlanmanıza yardımcı olacak faydalı bilgileri belirtir.

Güvenlik talimatları

İKAZ

- Axis ürünü, yerel yasa ve yönetmeliklere uygun şekilde kullanılmalıdır.
- Axis ürününü kuru ve havalandırılmış bir ortamda saklayın.
- Axis ürününü darbelere veya aşırı basınca maruz bırakmayın.
- Axis ürününü yalnızca uygun aletleri kullanarak monte edin. Elektrikli aletler ile aşırı güç uygulamak ürüne zarar verebilir.
- Cihazı temizlemek için saf ılık su ile nemlendirilmiş yumuşak bir bez kullanın.
- Cihazınızı temizlerken cam temizleyici veya aseton gibi kimyasal maddeler kullanmayın.
- Yalnızca ürününüzün teknik özelliklerine uygun aksesuarları kullanın. Bunlar Axis veya üçüncü bir tarafça sağlanabilir. Axis, ürününüz ile uyumlu Axis güç kaynağı ekipmanlarının kullanılmasını önerir.
- Yalnızca Axis tarafından sağlanan veya önerilen yedek parçaları kullanın.
- Ürünü kendiniz tamir etmeye çalışmayın. Servis ile ilgili konular için Axis destek birimine veya Axis bayinize başvurun.

Taşımacılık

İKAZ

- Axis ürününün taşınması sırasında ürünün hasar görmesini önlemek için orijinal ambalajını veya muadilini kullanın.

Pil

Axis ürünü, ürünün güç kaynağı olarak 3.85 V AXI02 şarj edilebilir lityum pil kullanmaktadır.

3.85 V AXI02 pil, 1.3 Propanesultone, CAS no. 1120-71-4 içermektedir.

⚠ TEHLİKE

- Ürünü veya pilleri ateşe veya sıcak fırına atmayın. Patlama tehlikesi.
- Ürünü veya pilleri 80°C (176°F) üzerindeki herhangi bir yüksek sıcaklık ortamında bırakmayın.
- Ürünü veya pilleri aşırı düşük veya yüksek sıcaklıktaki ortamlarda bırakmayın; bu durum yanıcı sıvı veya gaz sızıntısına neden olabilir.
- Ürünü veya pilleri, patlamaya veya yanıcı sıvı veya gaz sızıntısına neden olabilecek düşük hava basıncına maruz bırakmayın.

⚠ UYARI

Ürünü her zaman UL/IEC LPS veya PS2 gereksinimlerini karşılayan bir Axis vücuda takılabilir bağlantı istasyonu veya 5.0 V USB-C güç kaynağı (AXIS TW1909 şarj adaptörü ile birlikte) kullanarak şarj edin. Ürünü başka herhangi bir yöntemle şarj etmeye asla kalkışmayın.

Piller güneş ışığı, ateş veya benzeri aşırı ısıya maruz bırakılmamalıdır.

Kullanılmış piller yerel yönetmeliklere veya pil üreticisinin talimatlarına uygun olarak bertaraf edilmelidir.

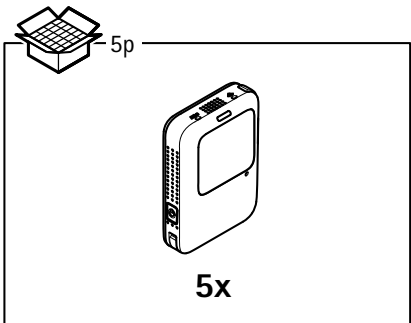
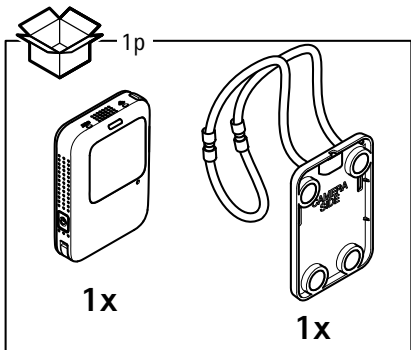
Gerektiğinde 3.85 V AXI02 şarj edilebilir lityum pil, AXIS TW1911 Pil Değiştirme Kiti kullanılarak değiştirilebilir.

Pilleri asla güneş ışığı, ateş veya benzeri aşırı ısıya maruz bırakmayın.

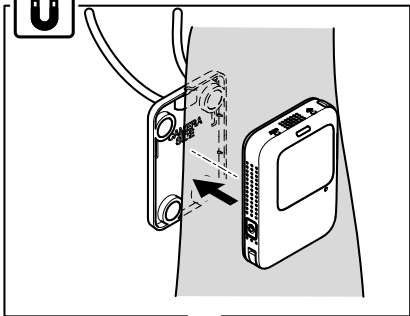
Kullanılmış pilleri her zaman yerel yönetmeliklere veya pil üreticisinin talimatlarına uygun şekilde bertaraf edin.

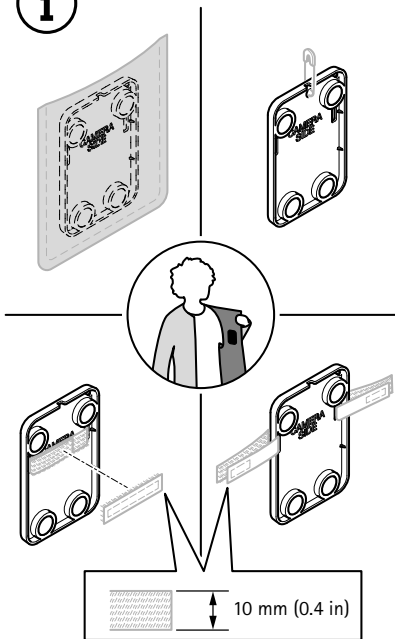
Not

3.85 V AXI02 pili, Axis Donanım Ürününün 3 yıllık Axis Sınırlı Donanım Garantisi kapsamında olduğu süre boyunca değiştirmeyin. Garanti süresi içinde Axis dışında başka bir tarafça yapılan pil değişimi, ana ürünün garantisini geçersiz kılar. Pil veya diğer servis ile ilgili konular için Axis Destek ekibi veya bayiniz ile iletişime geçin.

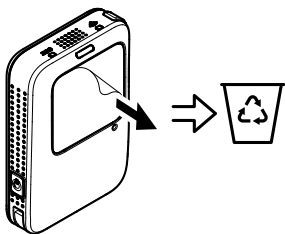


1.1

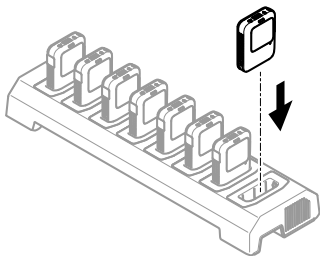


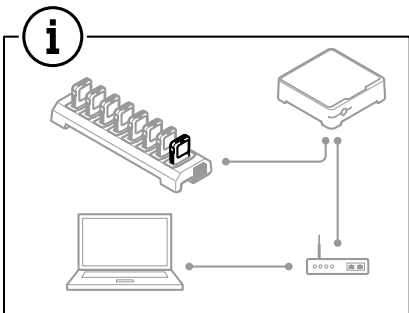


1.2

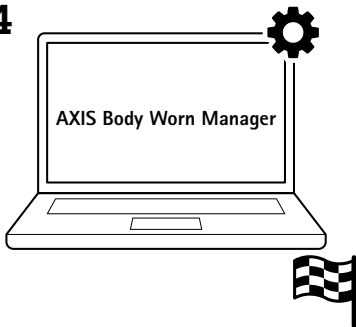


1.3





1.4

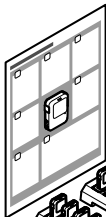


User manual



help.axis.com

Daily Use Guide



[axis.com/products/
axis-w111-body-worn-
camera/support](http://axis.com/products/axis-w111-body-worn-camera/support)



3518201

2026-02 (M1.13)

© 2025 – 2026 Axis Communications AB