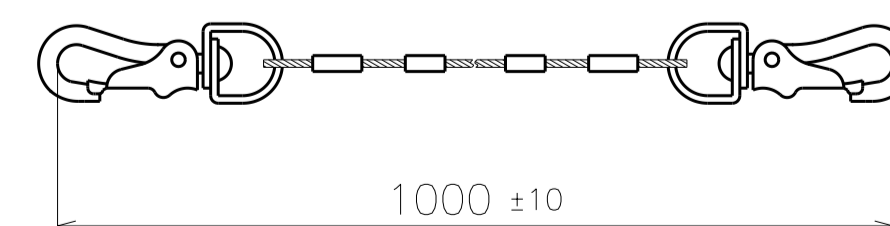
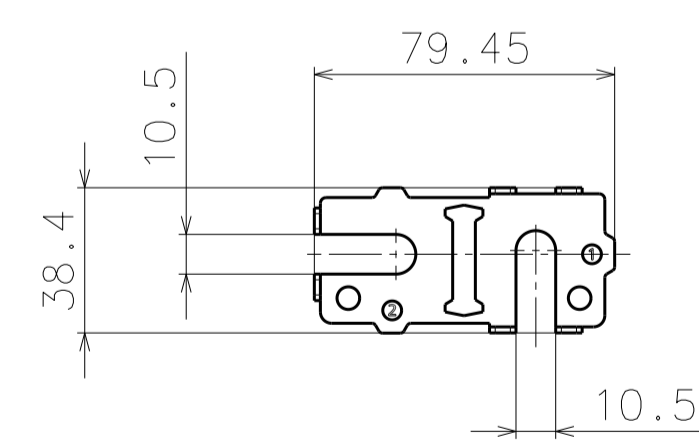
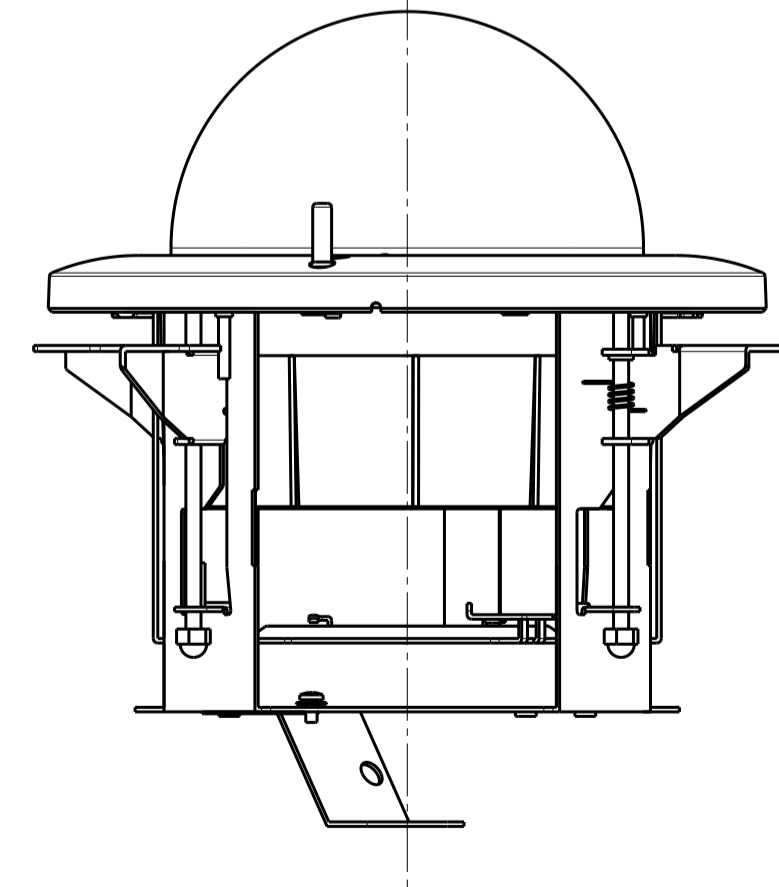


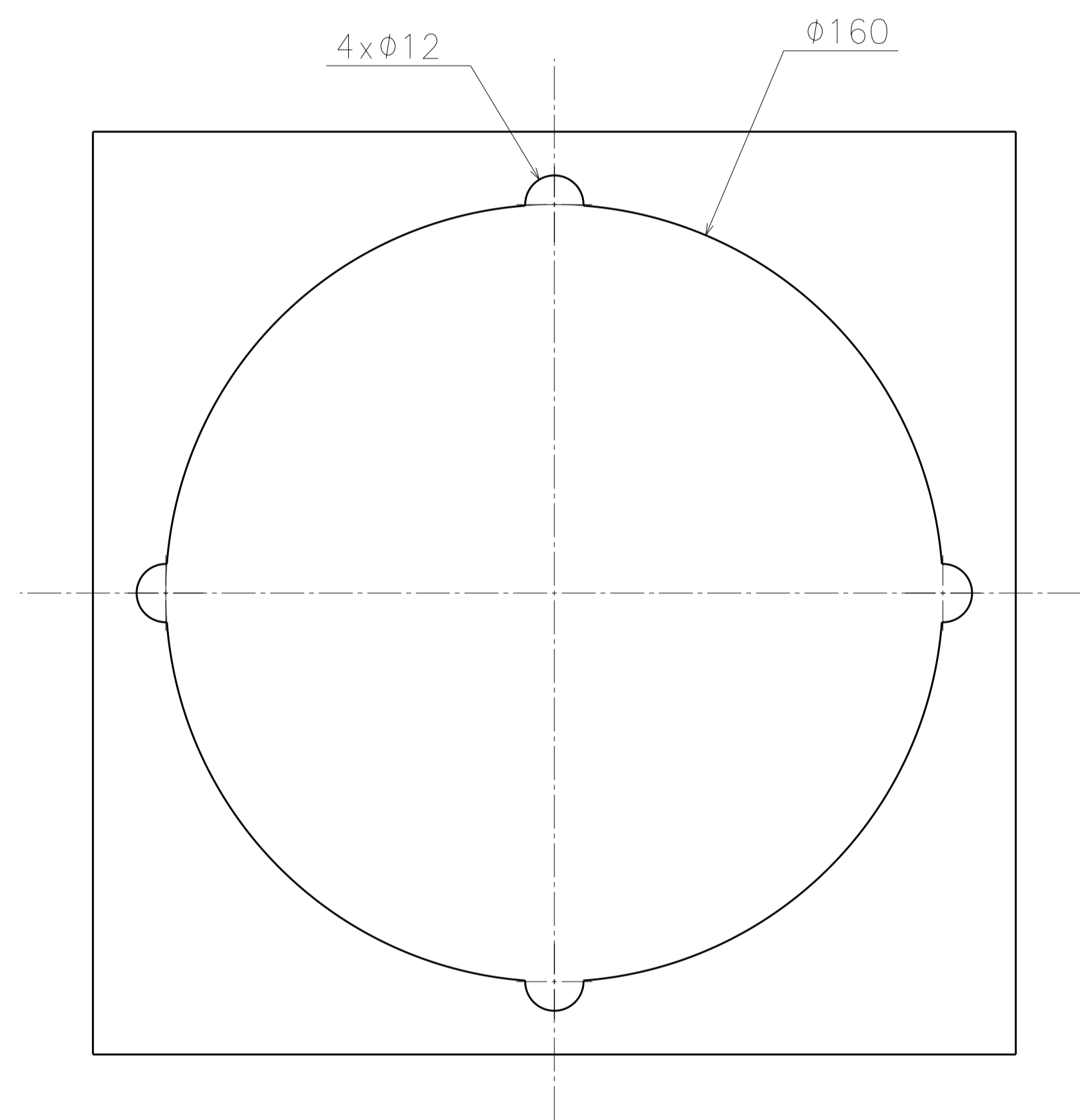
Sec A-A



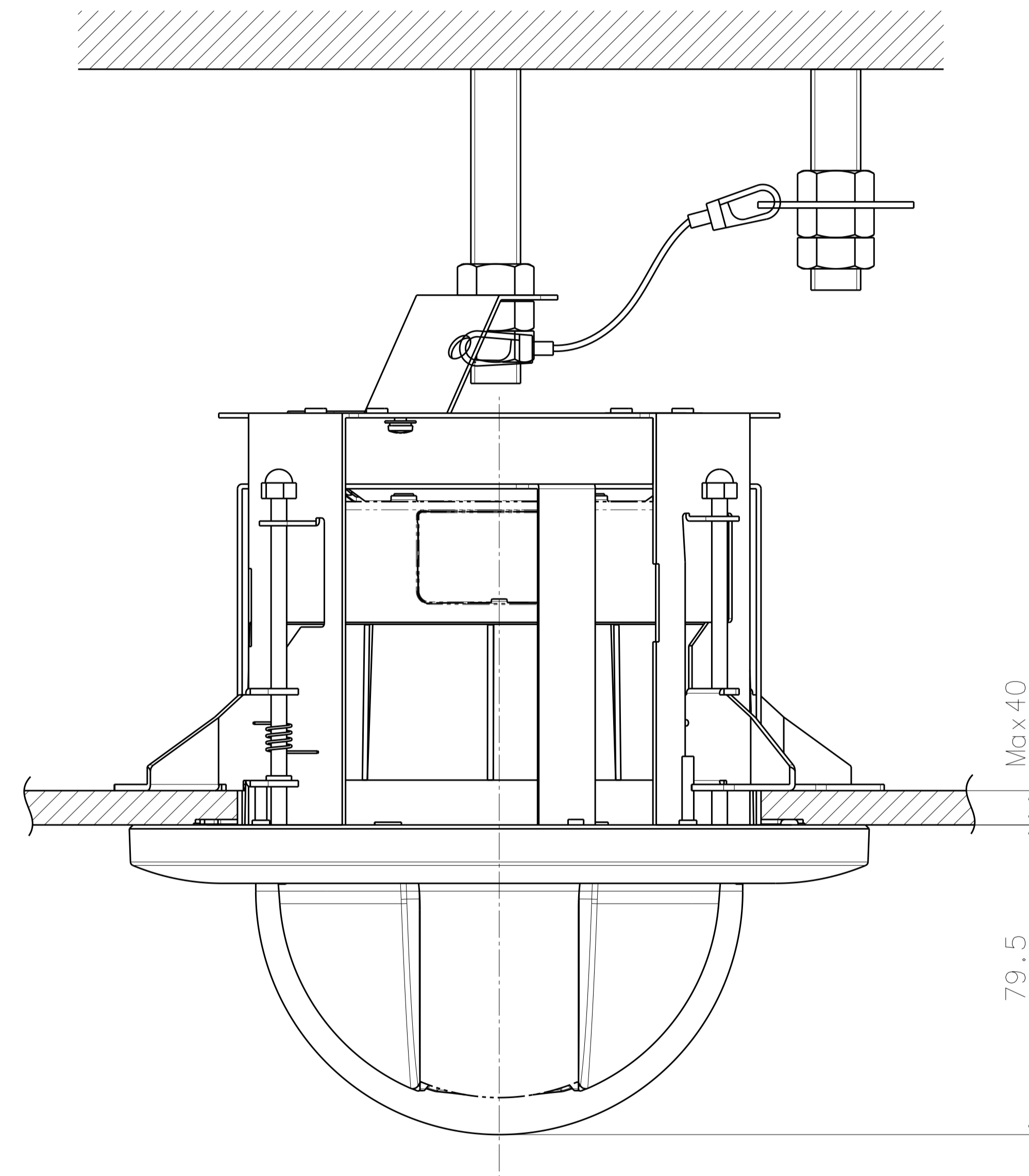
Model number	Dome type
WV-QED100G-W	Smoke dome
WV-QED100C-W	Clear dome

Mass : Approx. 800 g {1.77 lbs}

カメラとの組み合わせ例
Example of combination with a camera



Template for mounting



Attach to WV-S61301**
Attach to WV-U61301**

Model number
WV-QED100G-W
WV-QED100C-W