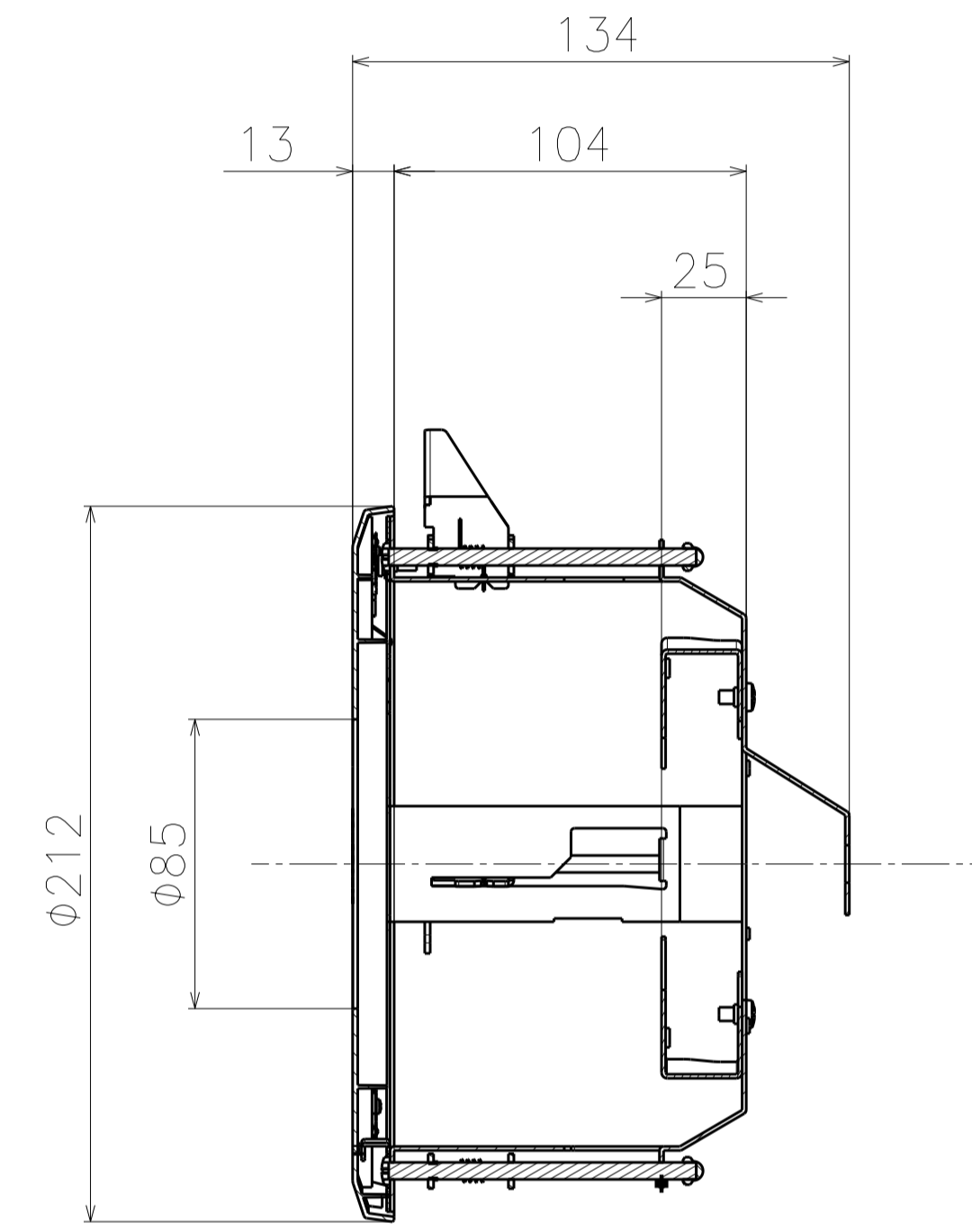
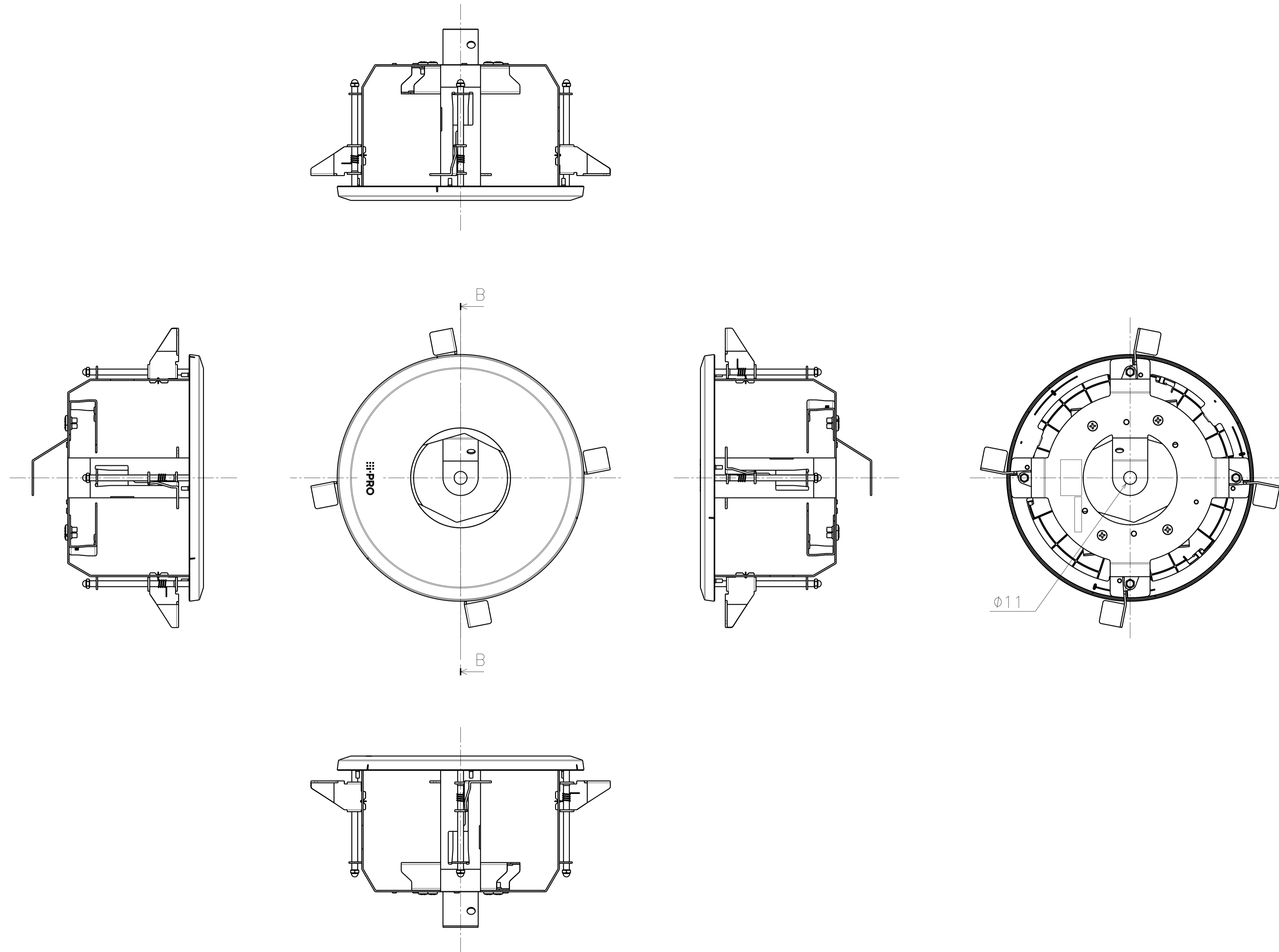


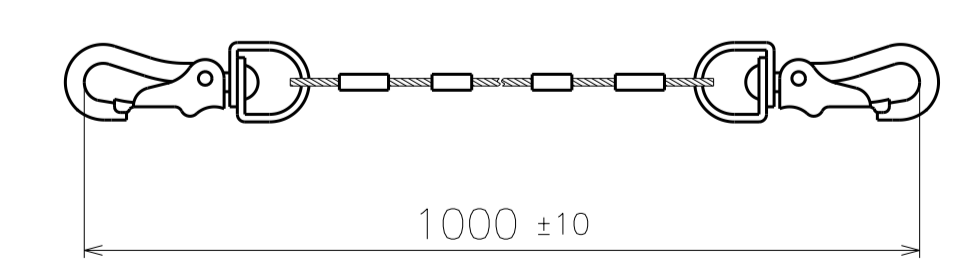
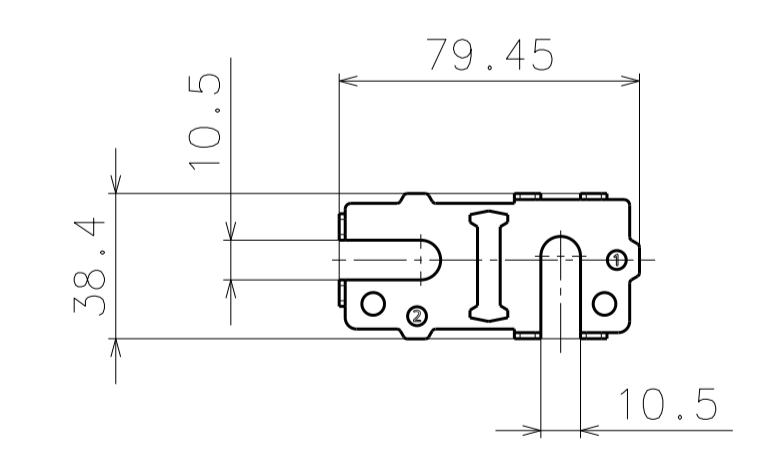
Sec A-A

Model number  
WV-QEM501-W

Mass : Approx. 740 g {1.63 lbs}

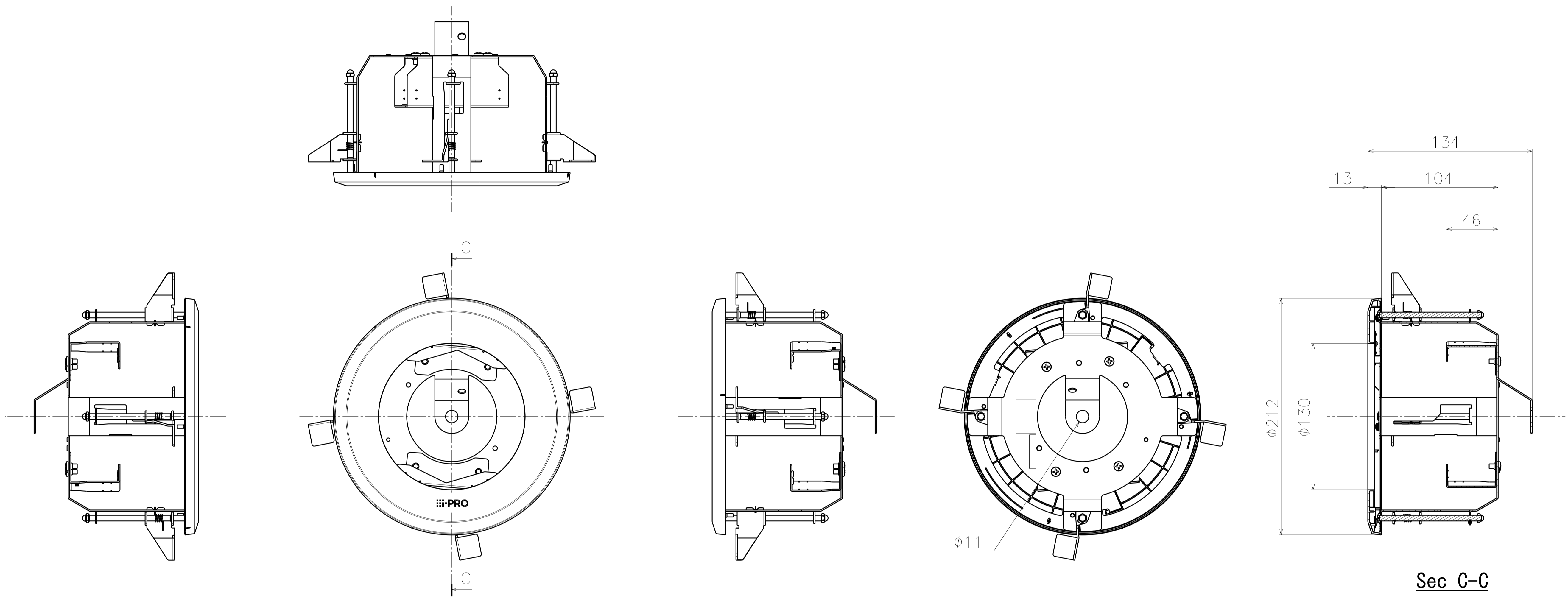


**Sec B-B**

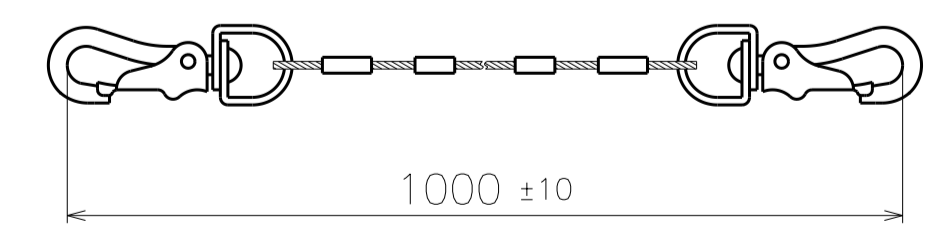
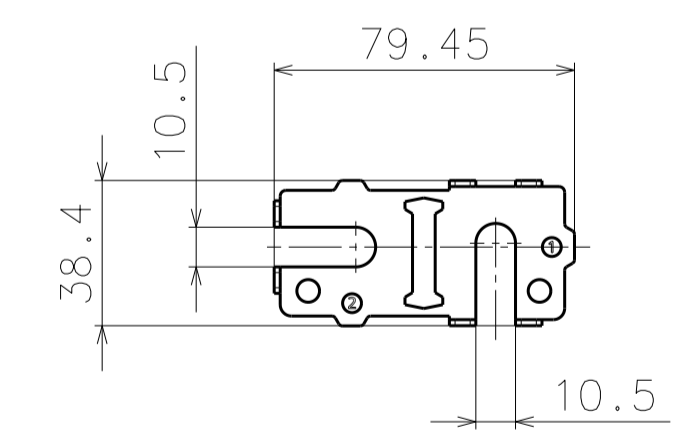


Model number  
WV-QEM502-W

Mass : Approx. 740 g {1.63 lbs}

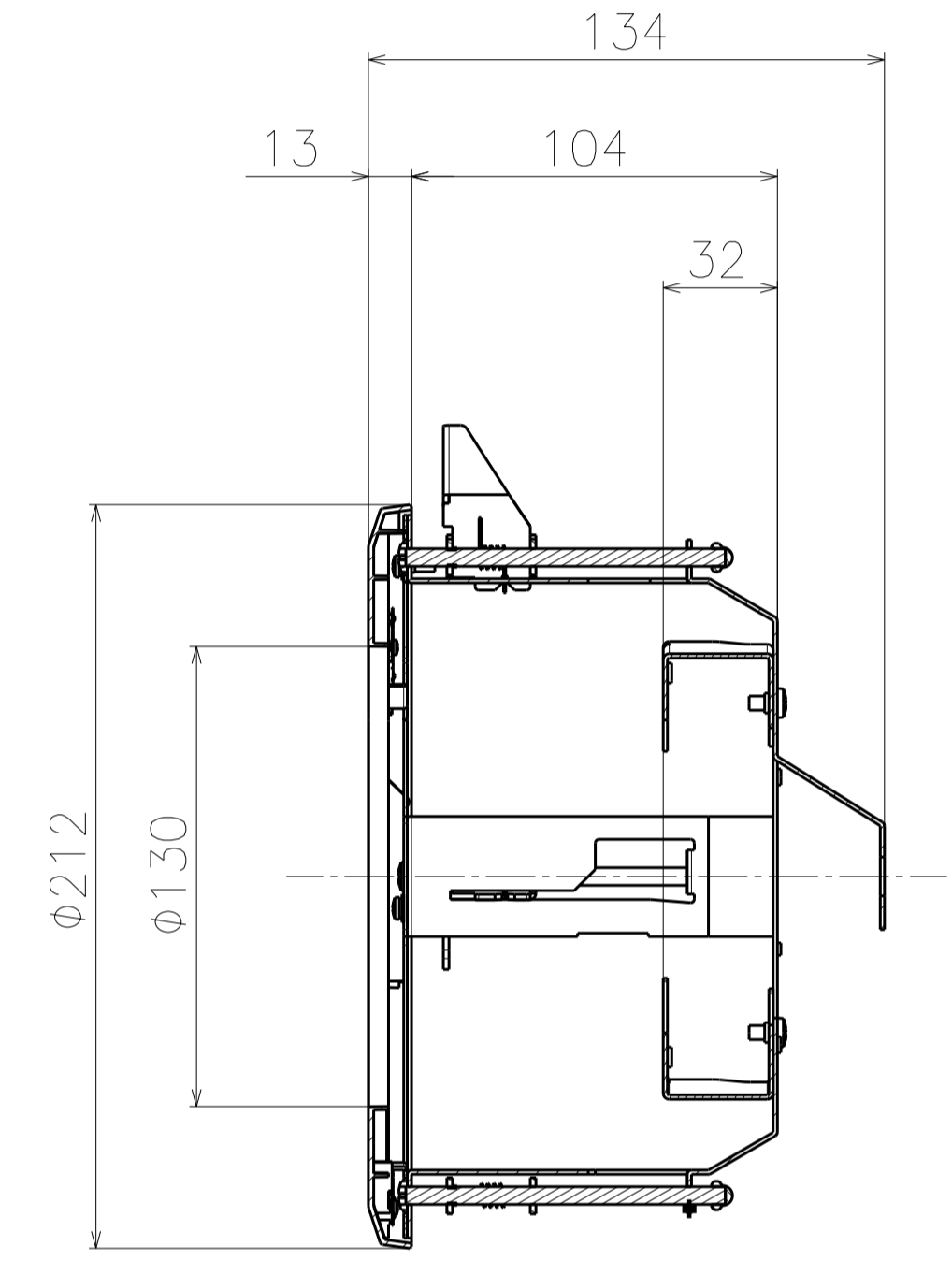
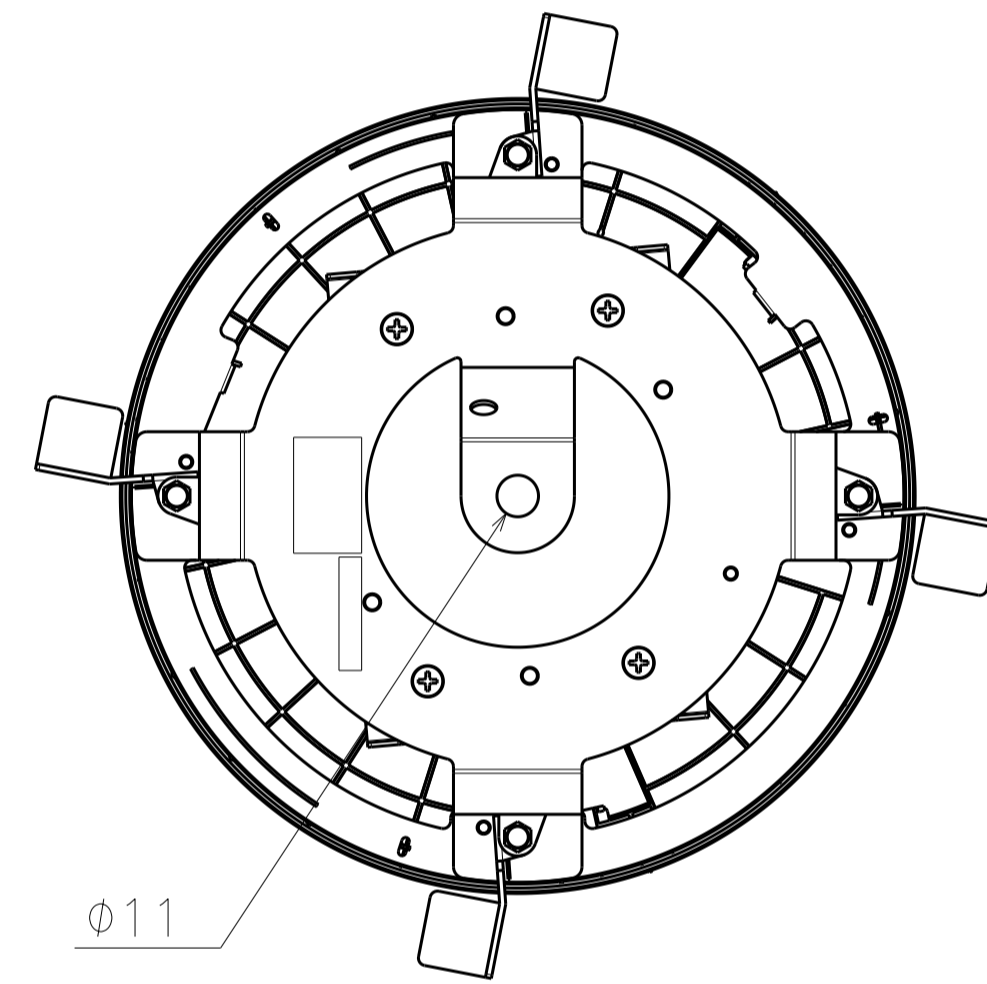
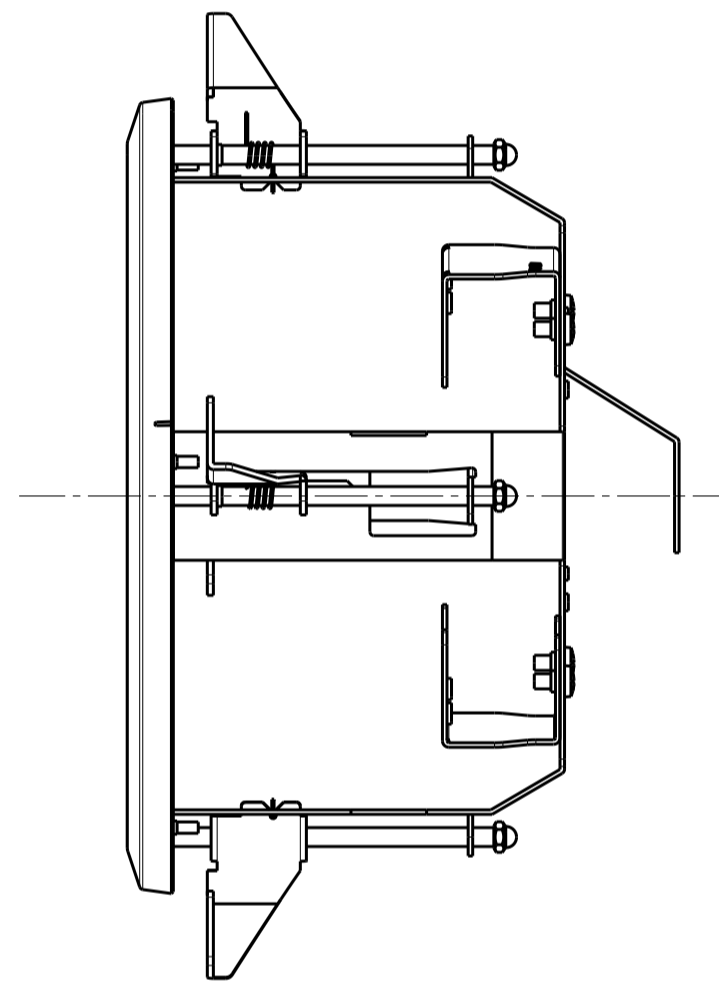
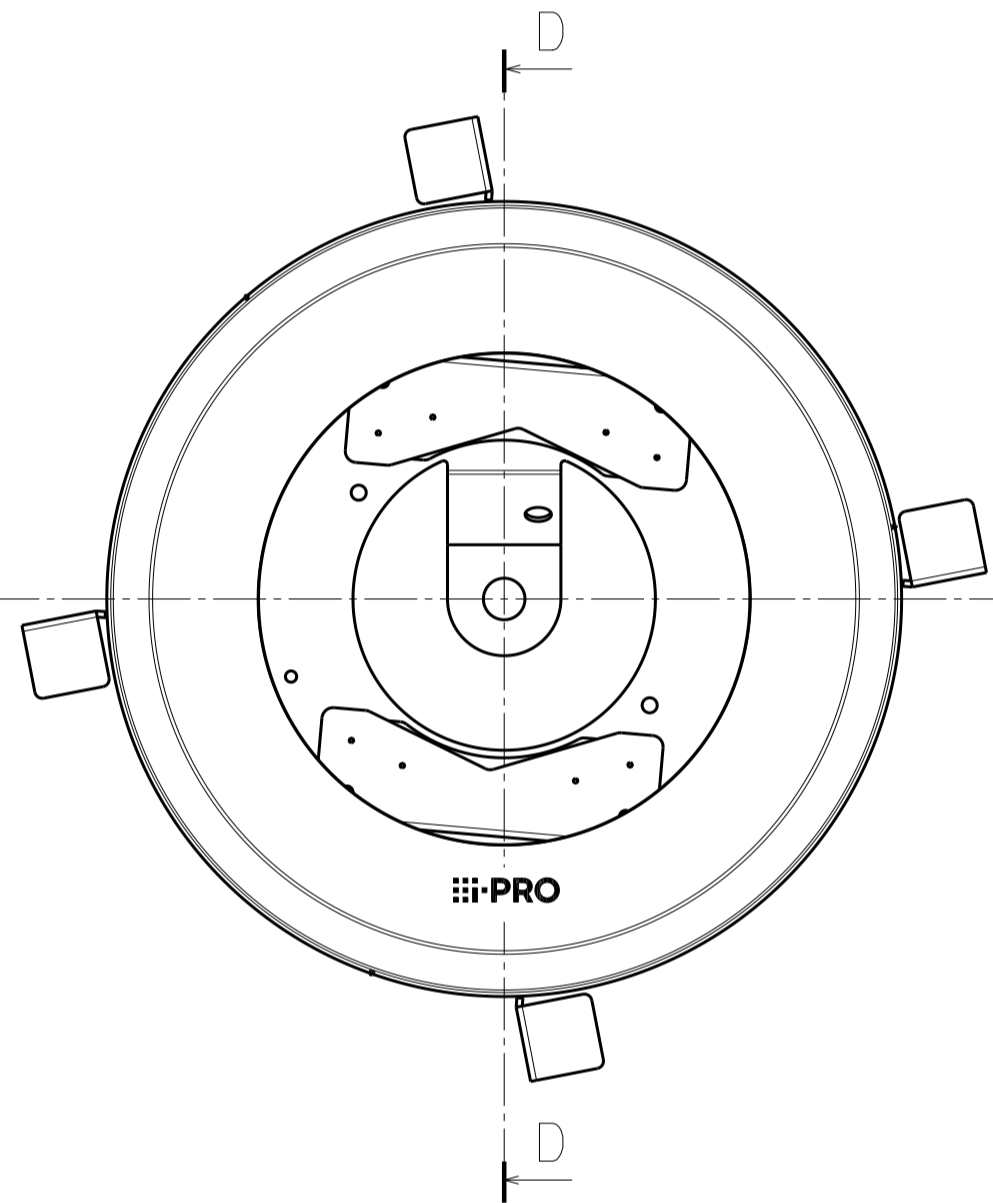
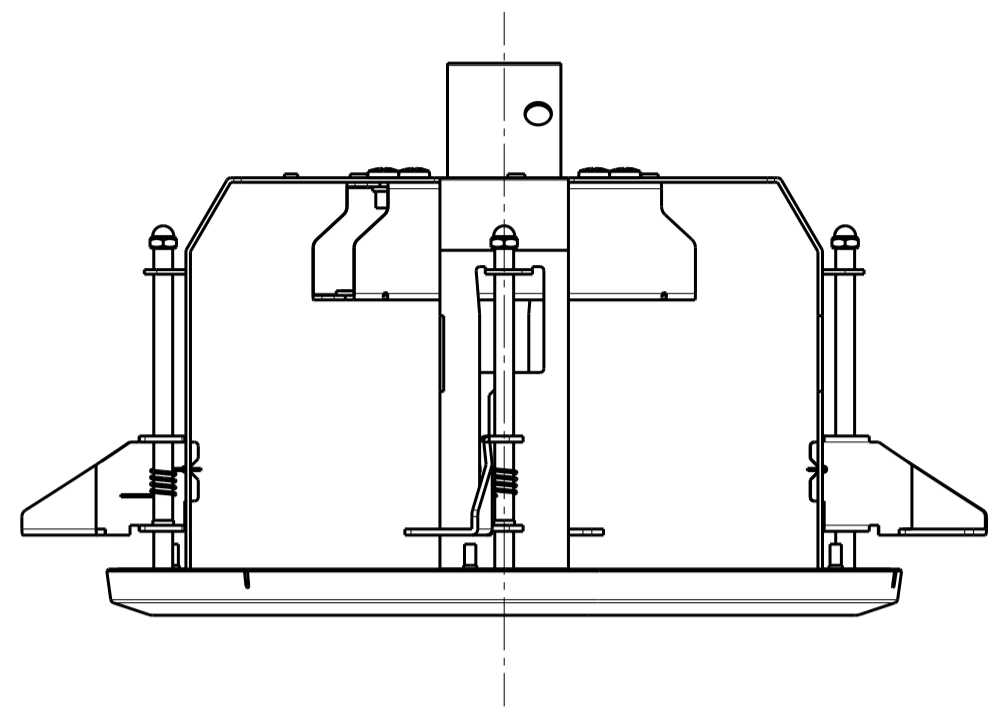
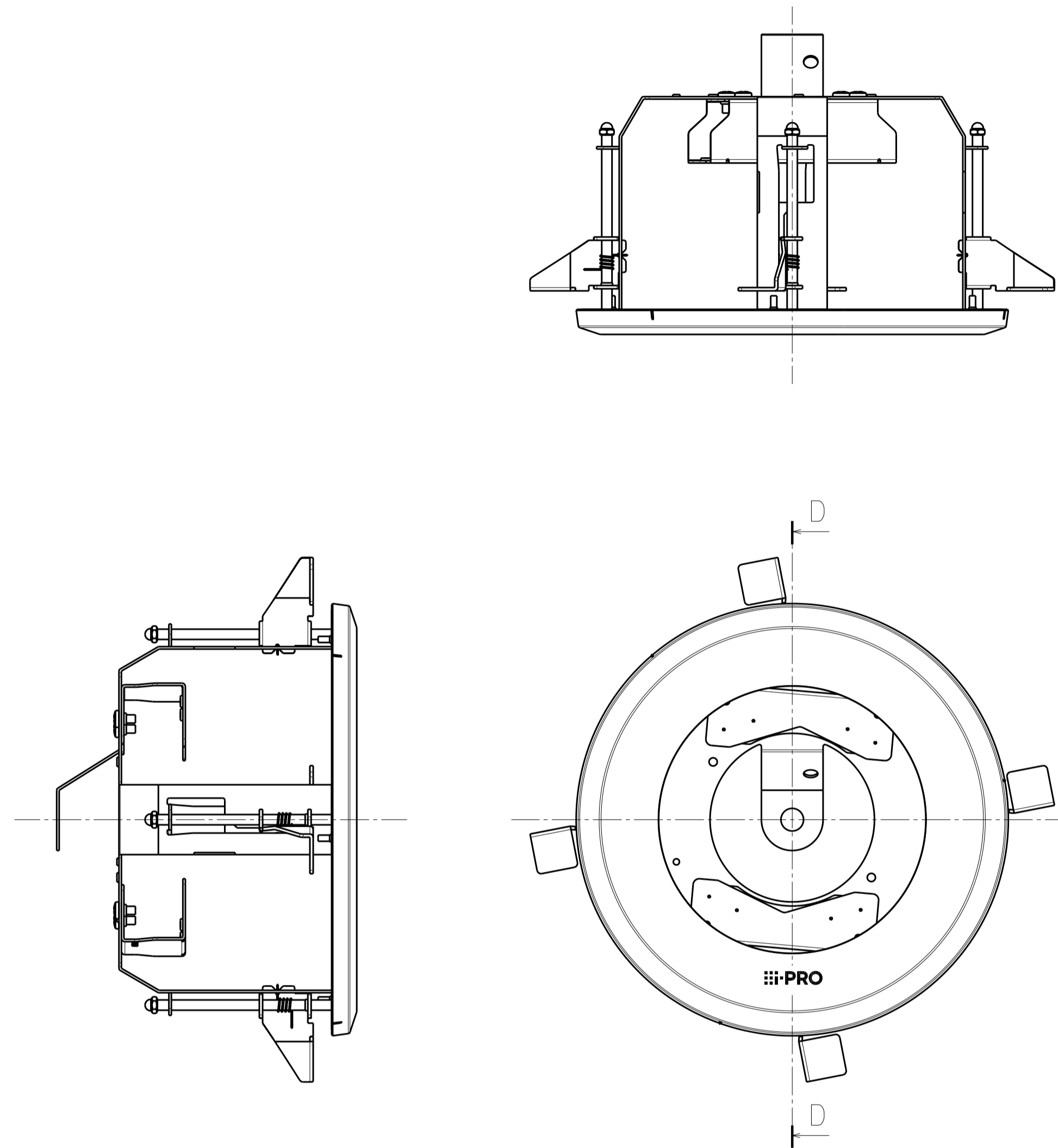


**Sec C-C**

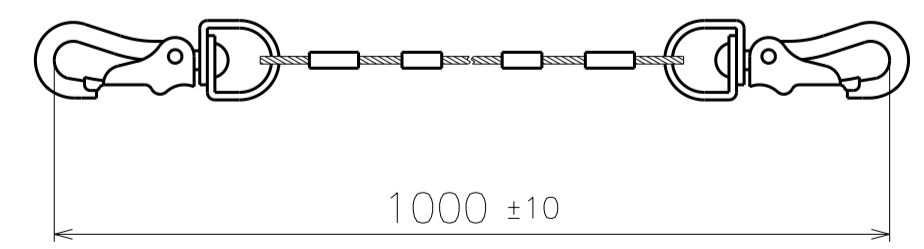
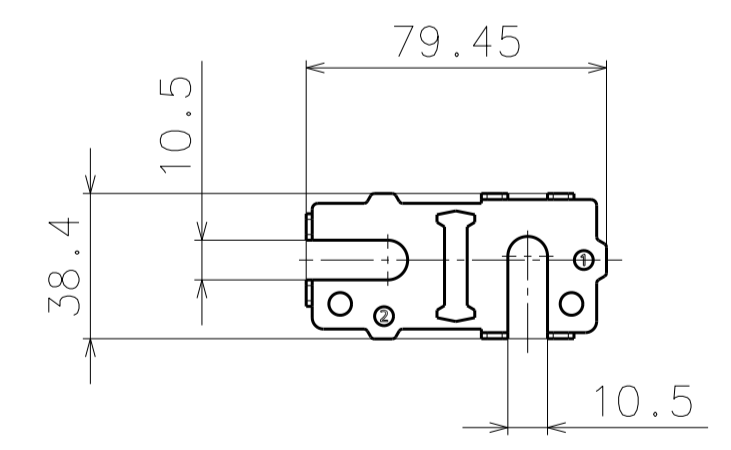
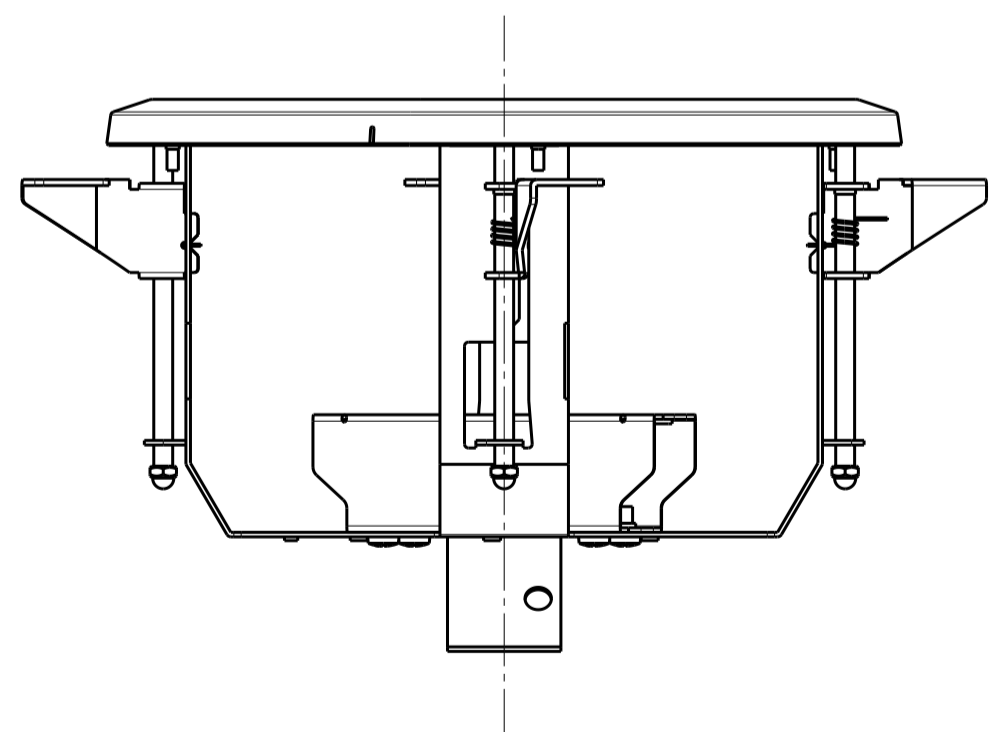


Model number  
WV-QEM503-W

Mass : Approx. 725 g {1.60 lbs}



Sec D-D

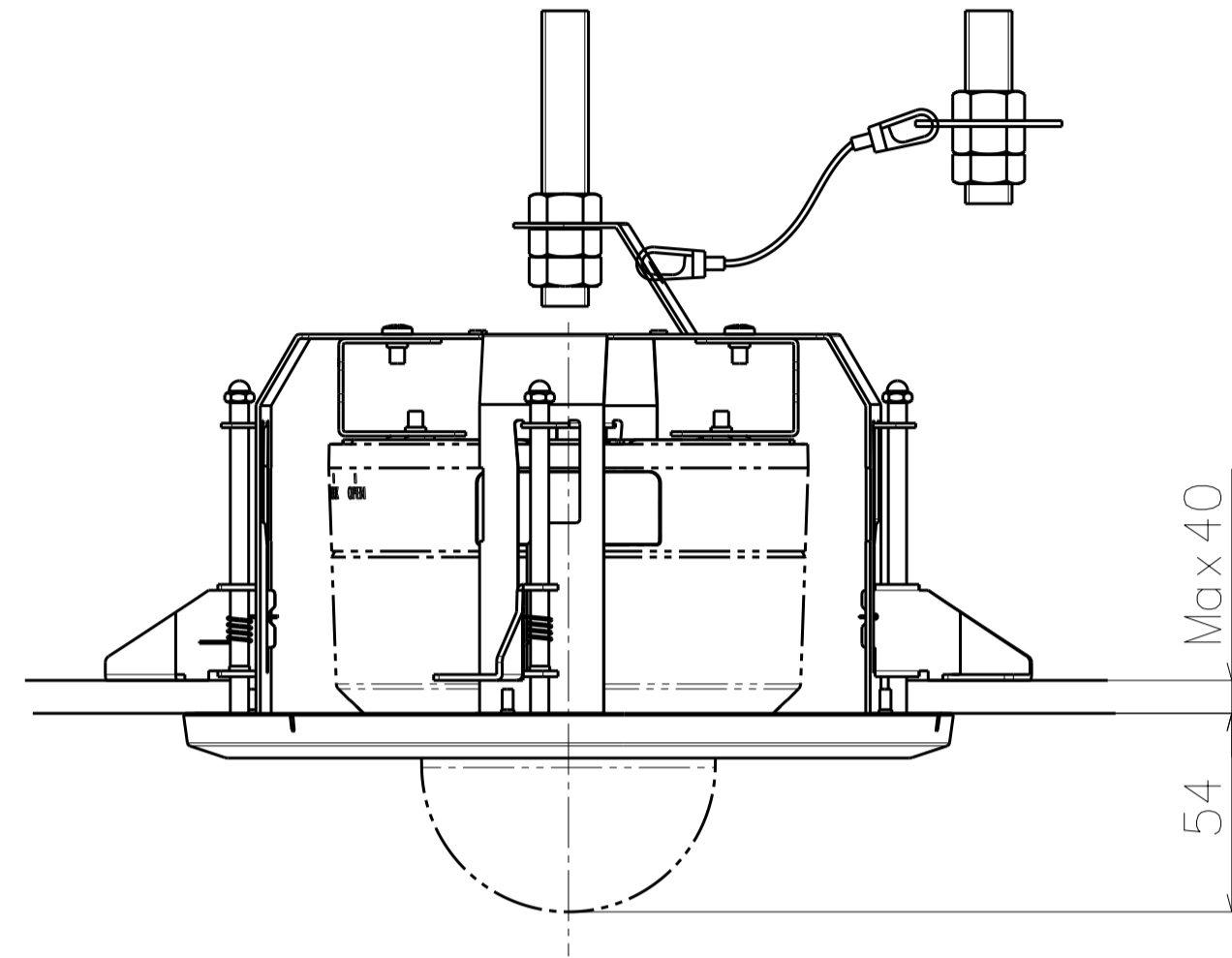
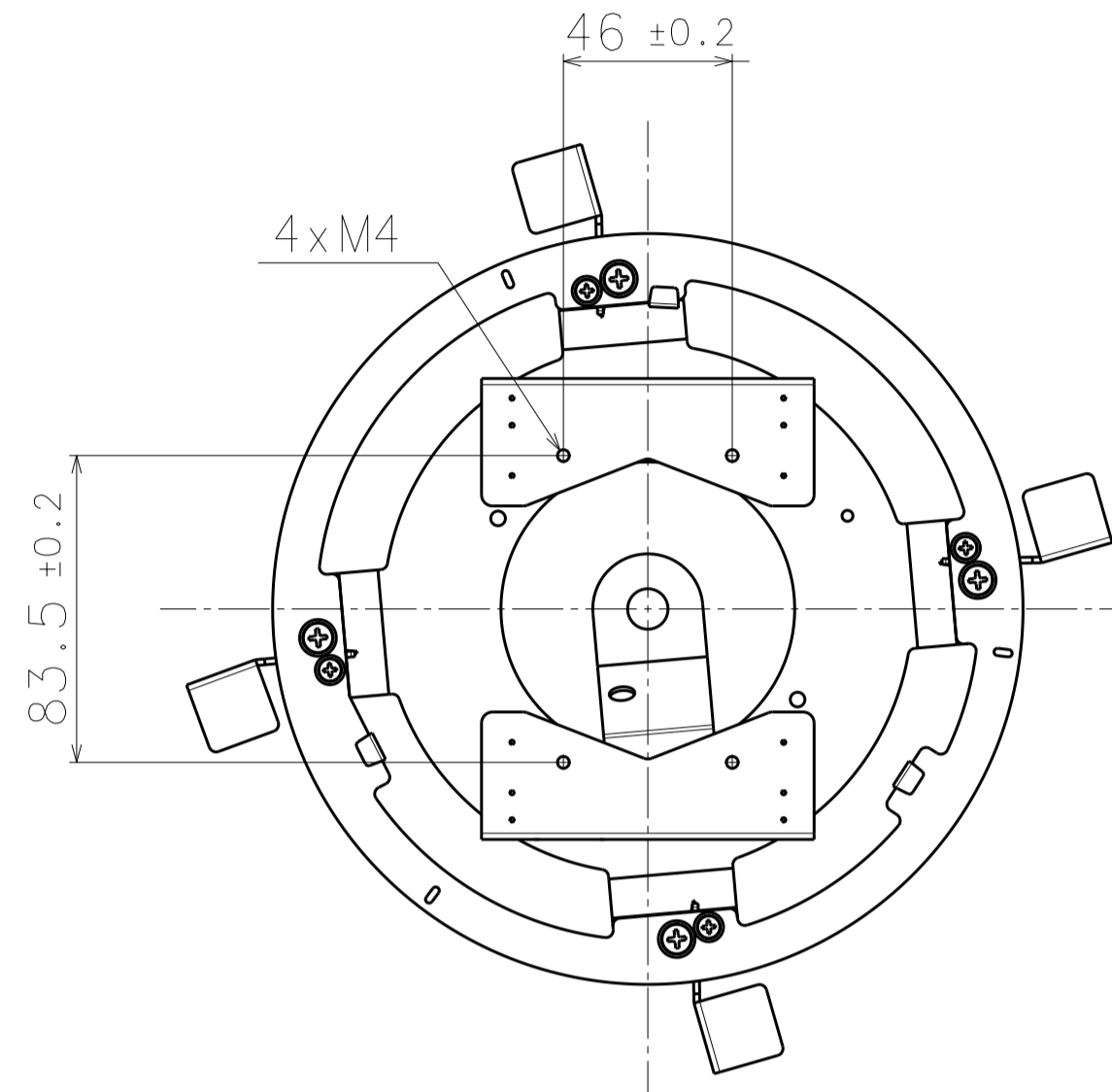


Model number  
WV-QEM504-W

Mass : Approx. 725 g {1.60 lbs}

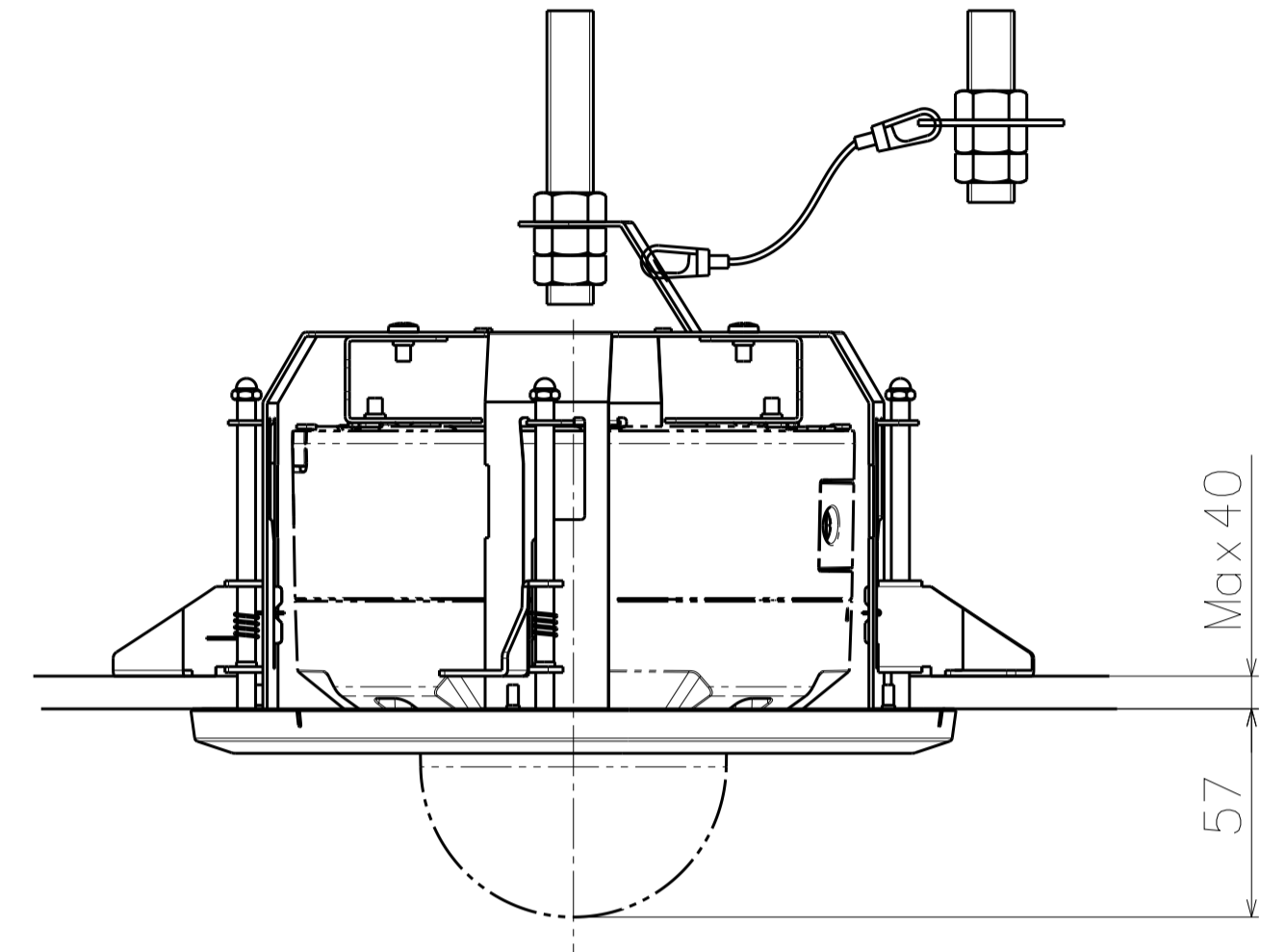
カメラとの組み合わせ例  
Example of combination with a camera

WV-QEM501-W



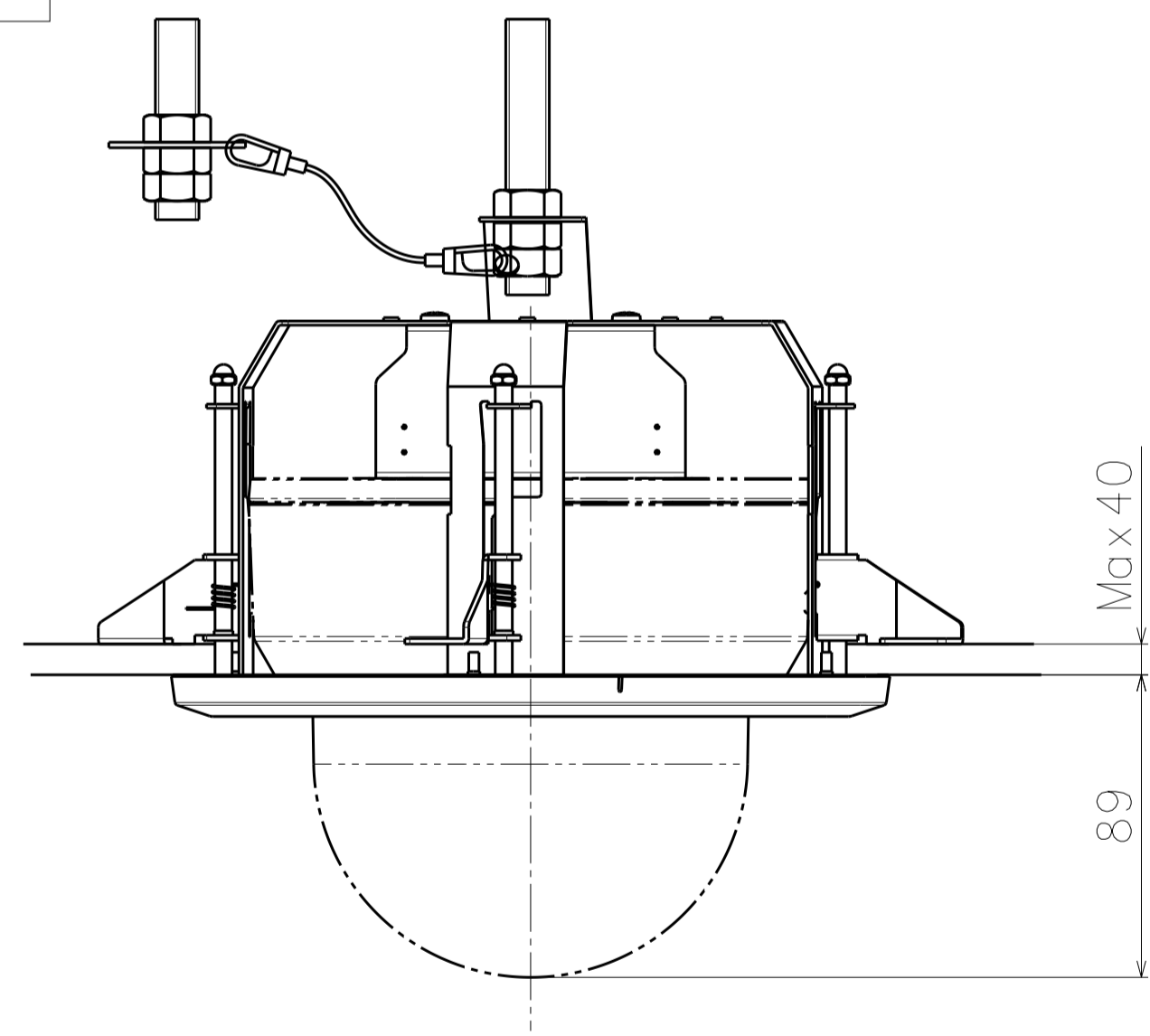
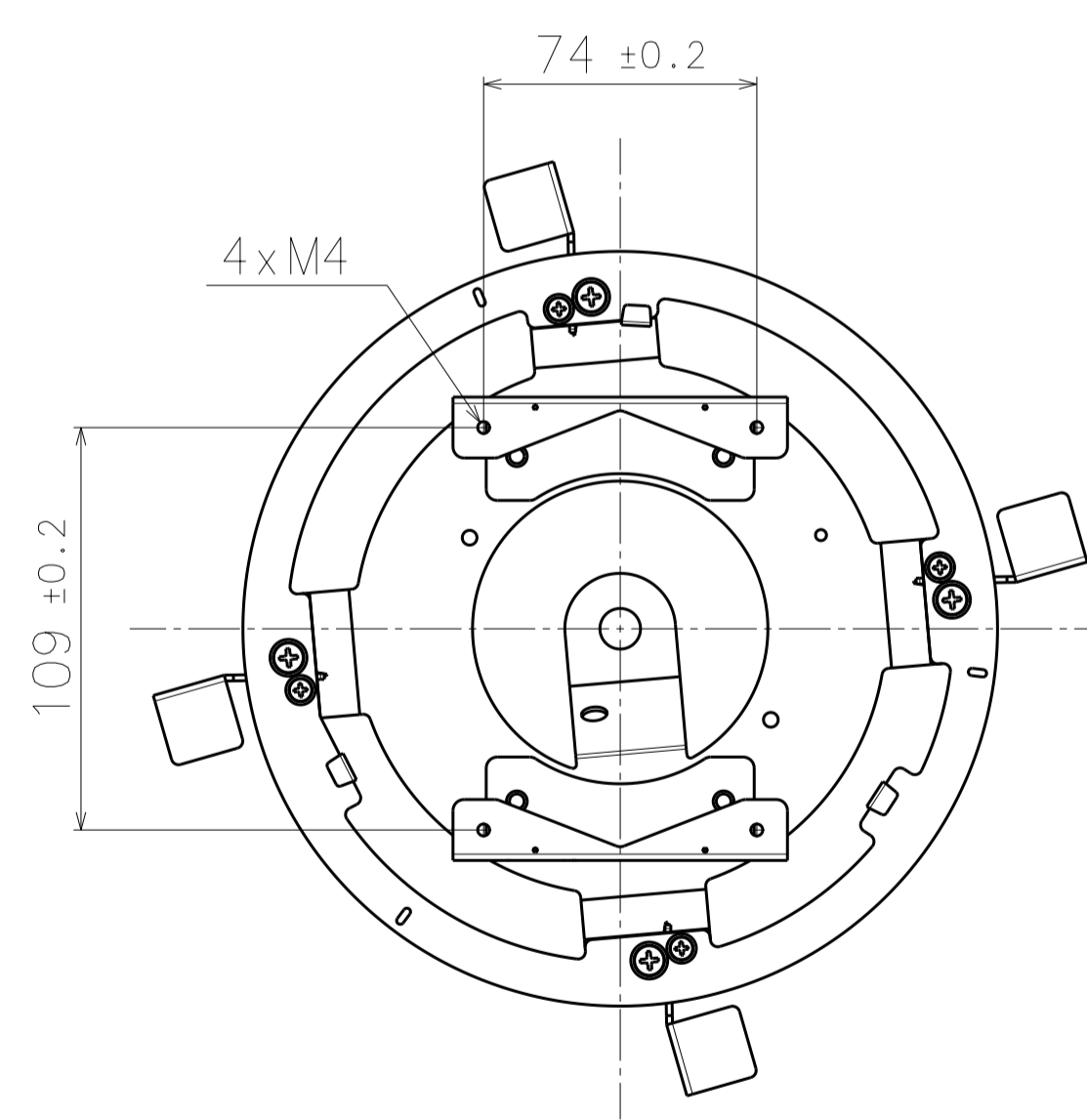
Attach to WV-U61300-ZY

WV-QEM502-W



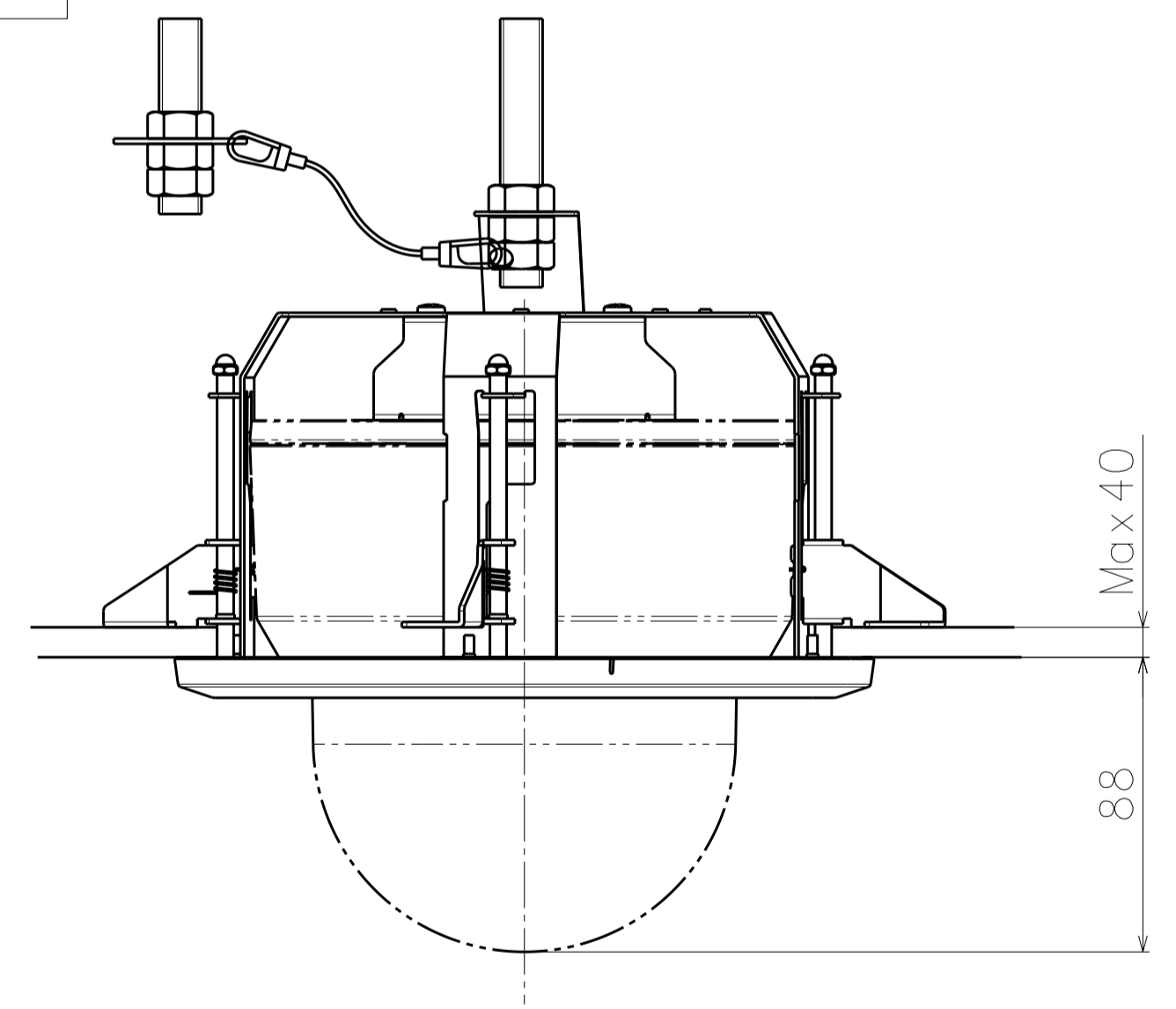
Attach to WV-U65300-ZY

WV-QEM503-W



Attach to WV-U65301-Z1

WV-QEM504-W



Attach to WV-U65302-Z2