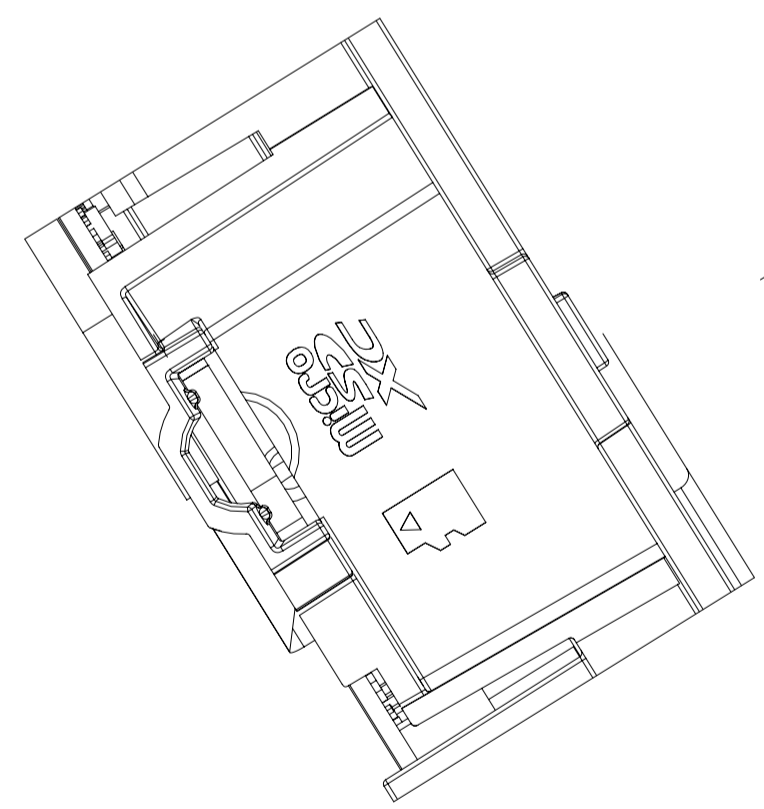
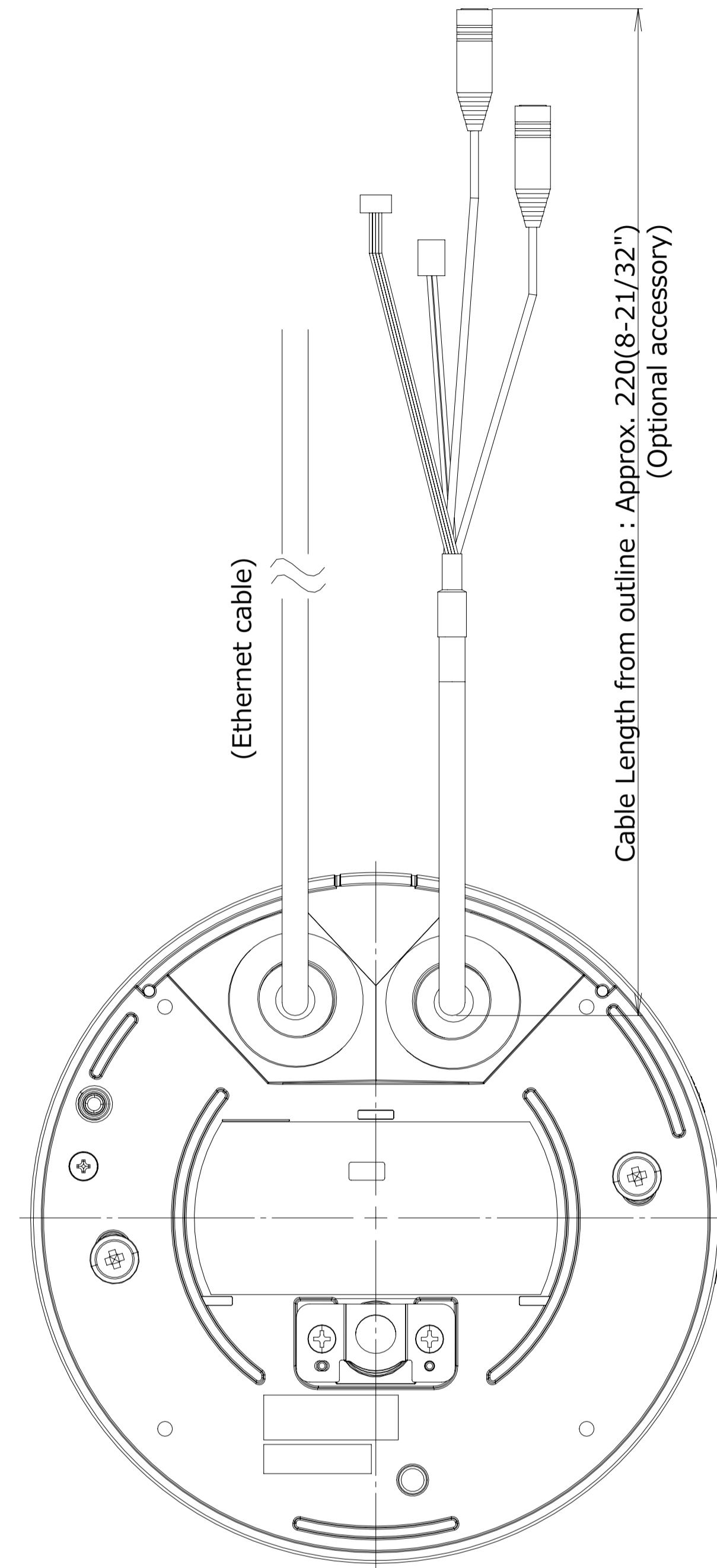
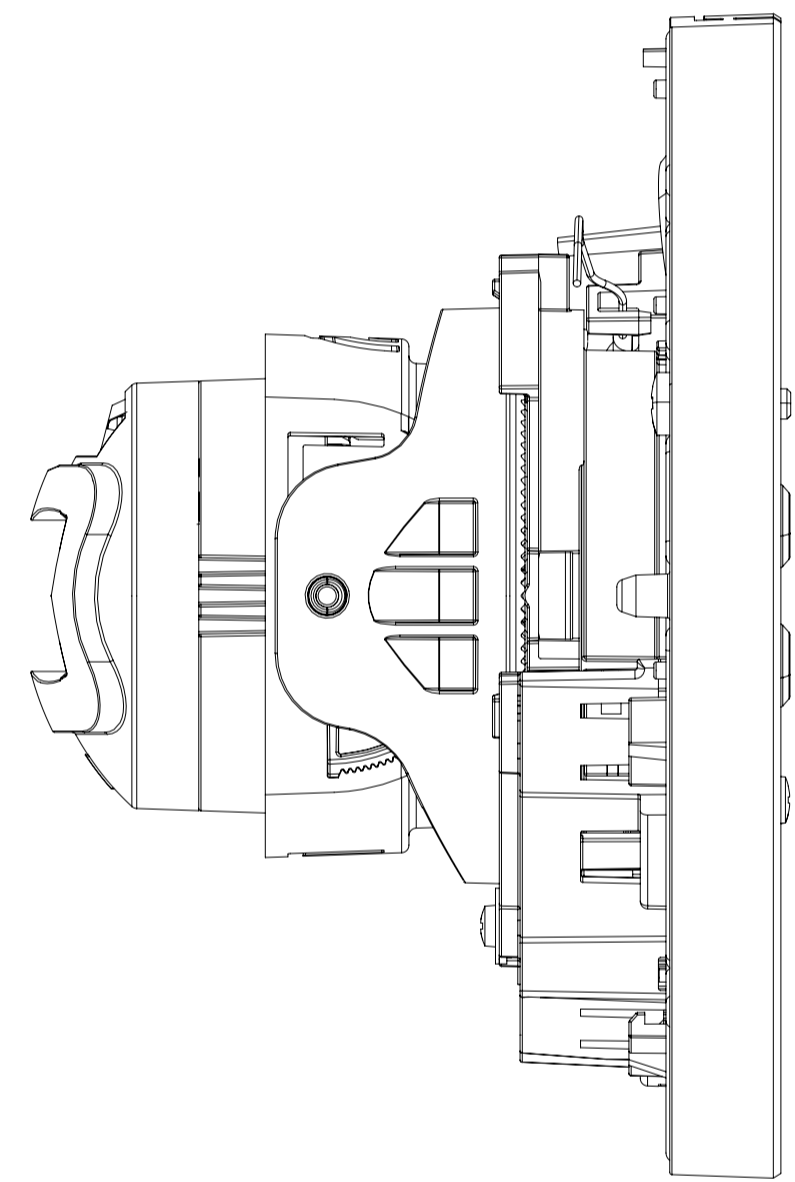
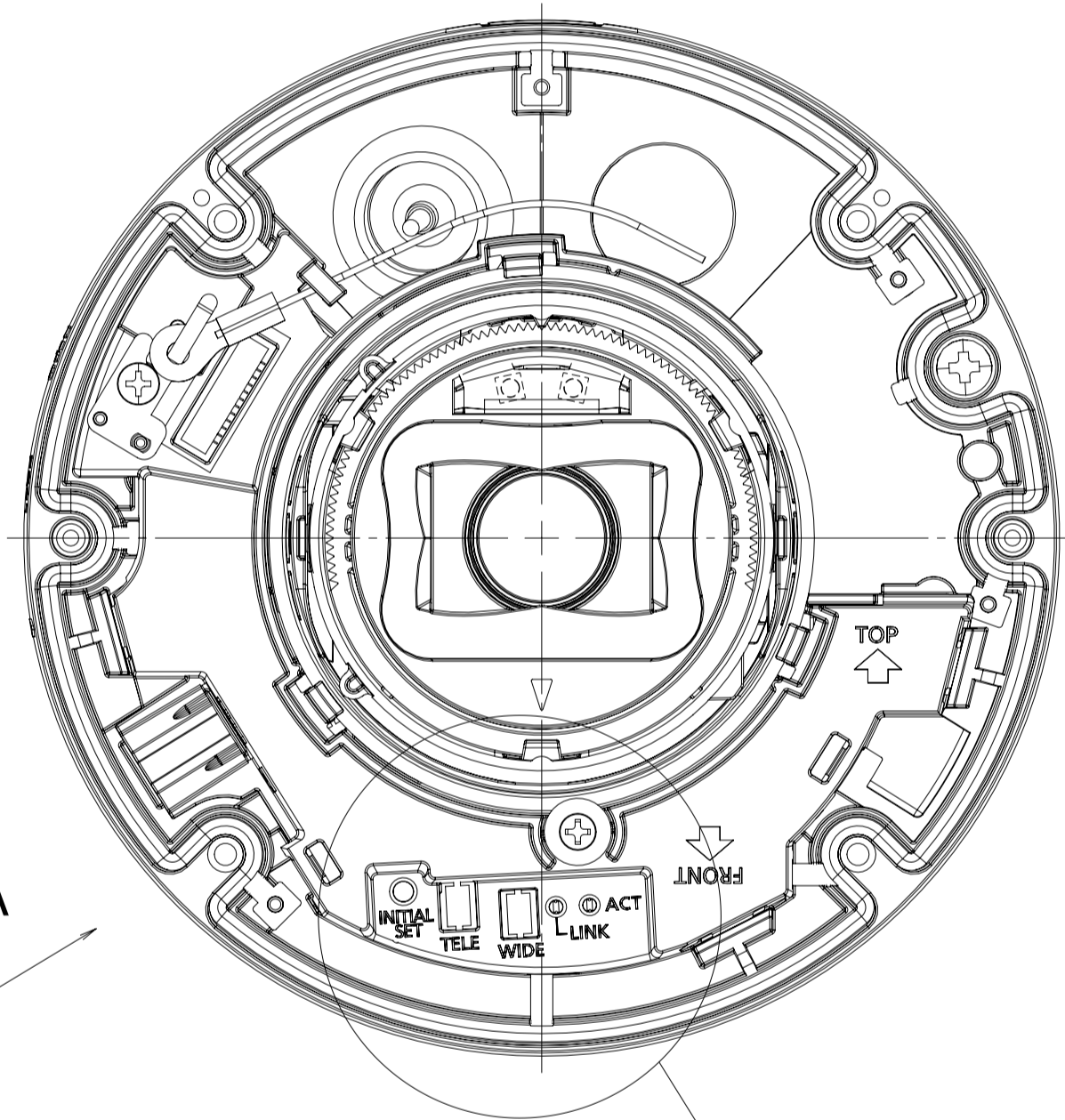
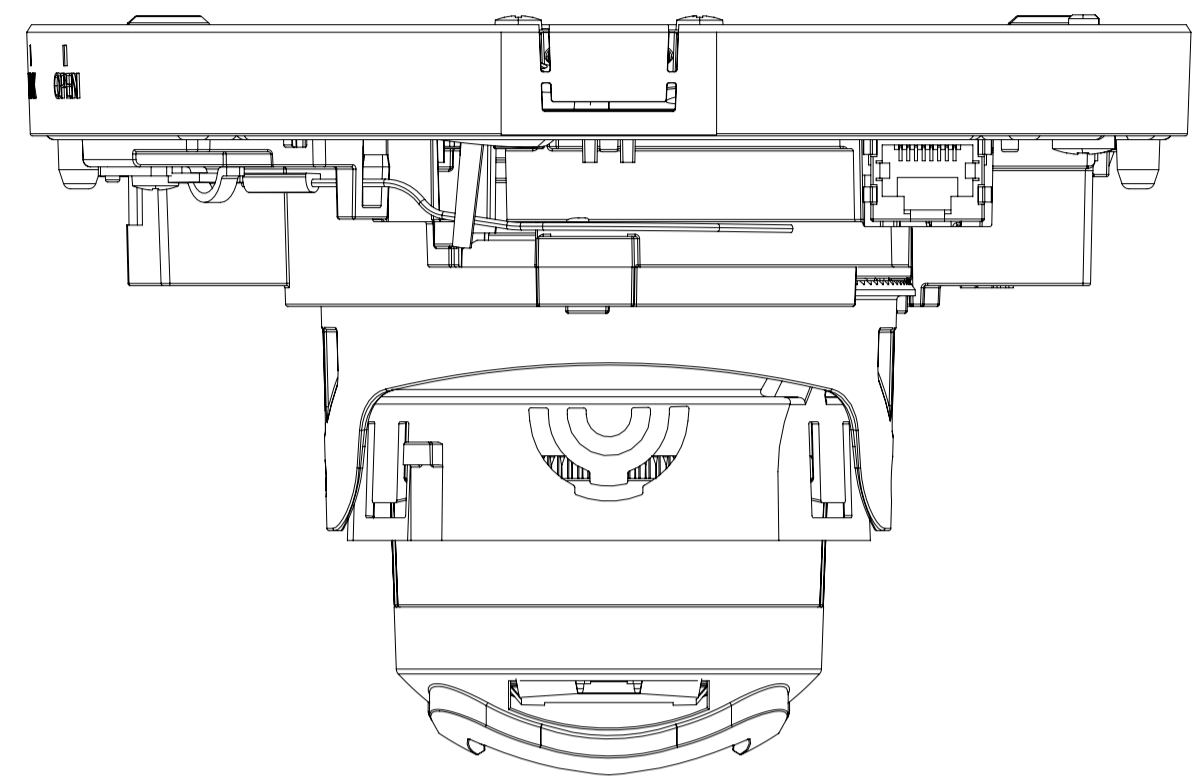


侧面图/Side-view	投影面积/Projected area
	0.011(m ²)

Mass : Approx. 1.0 kg {2.21 lbs}
 (When using the attachment plate)

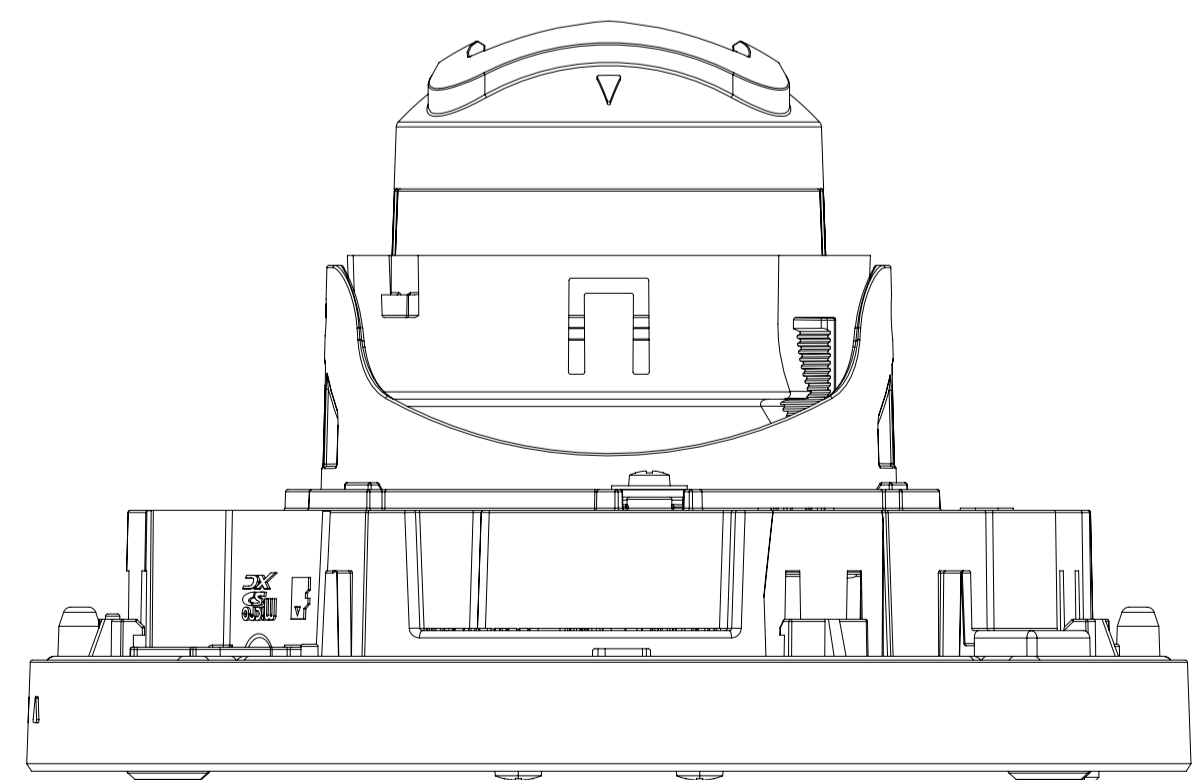
With attachment plate



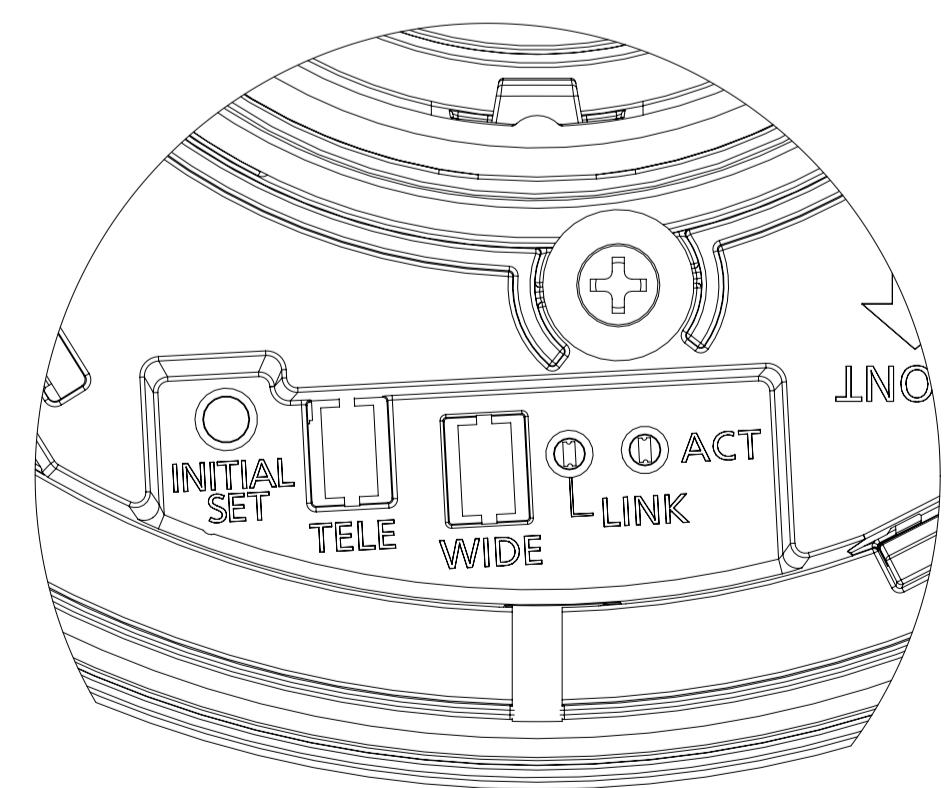
View A
S=2 : 1

A

B

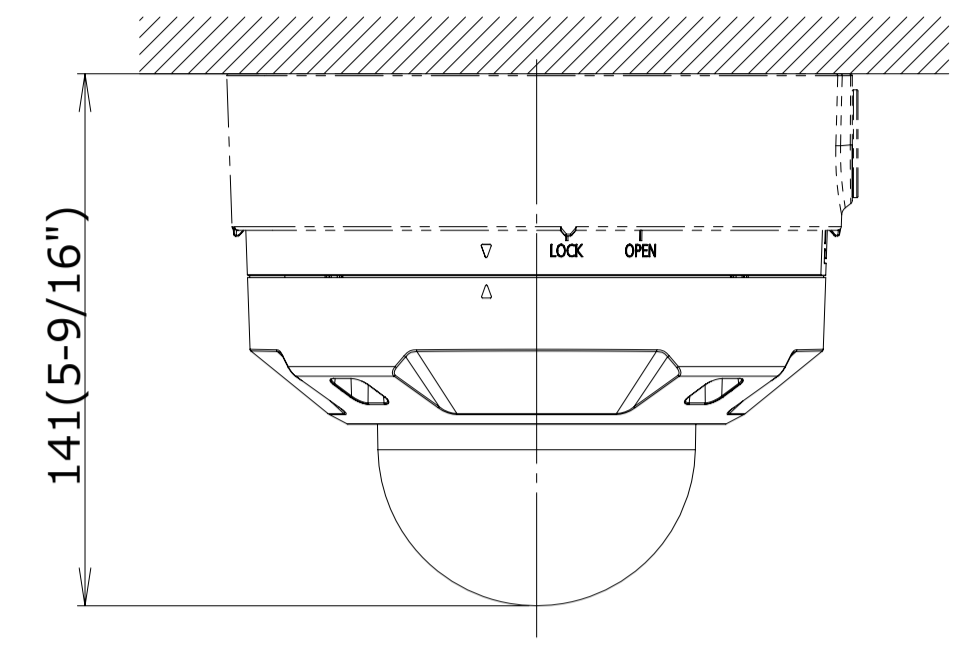


Without Enclosure



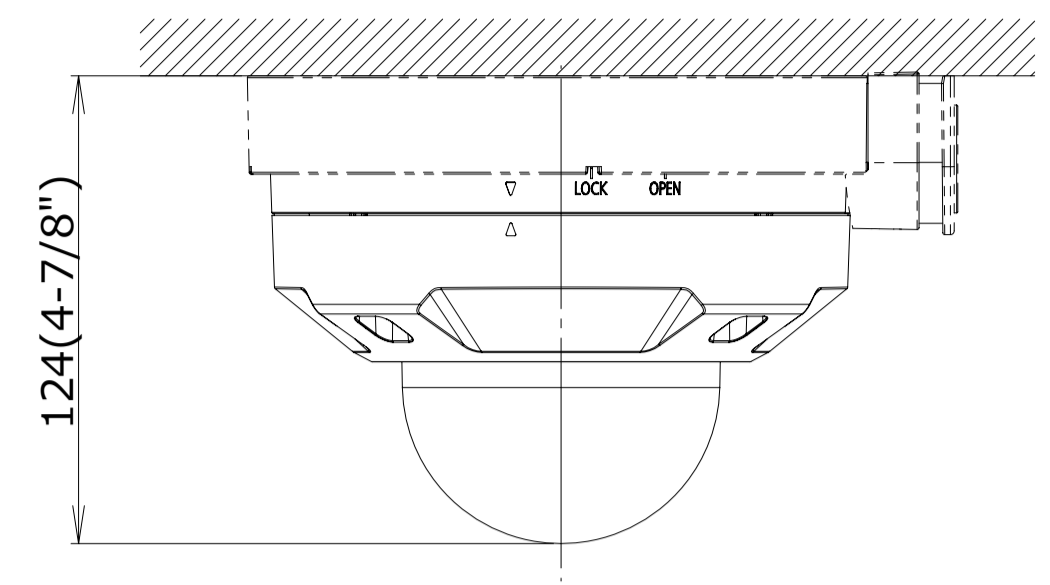
Detail B
S=2 : 1

金具との組み合わせ例
Example of combination with bracket



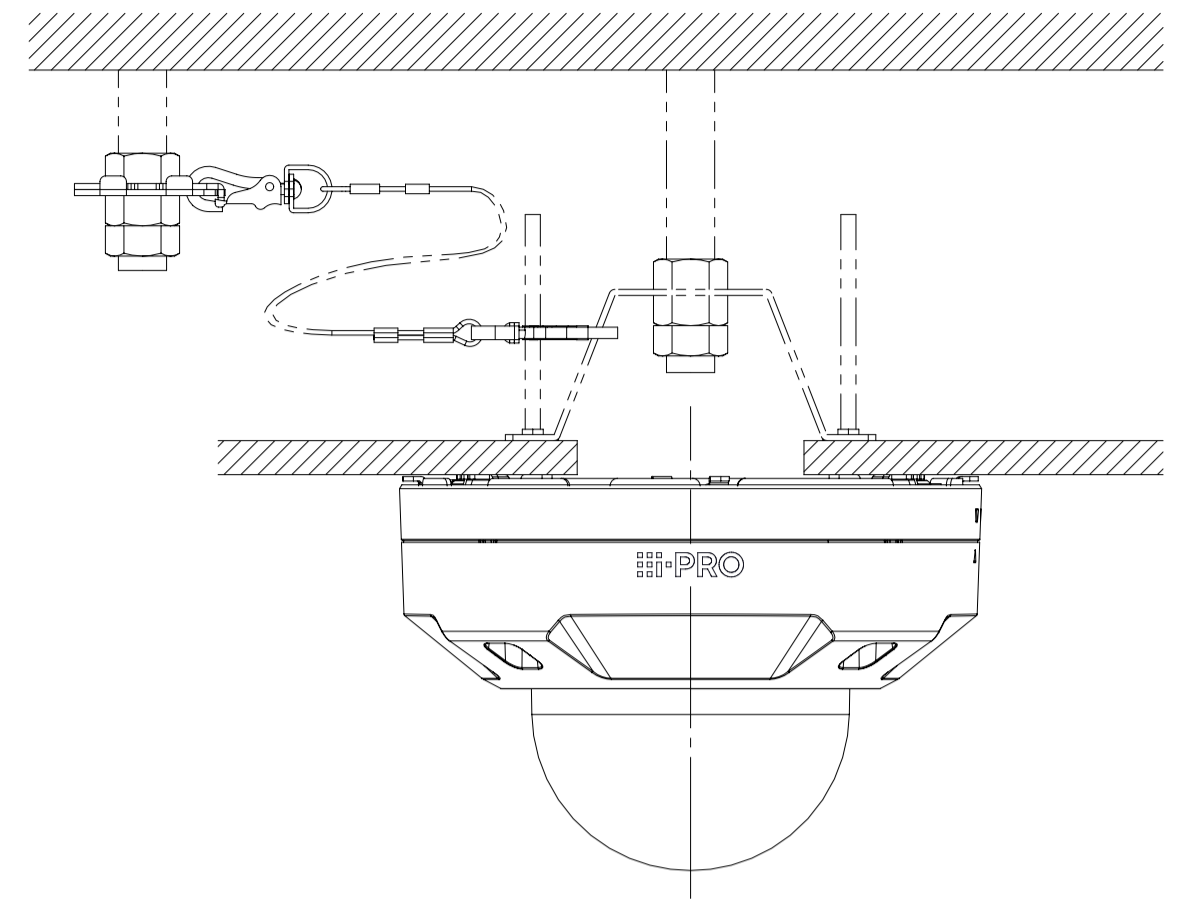
Attach to WV-QJB501**

側面図/Side-view	投影面積/Projected area 0.017(m2)
---------------	----------------------------------

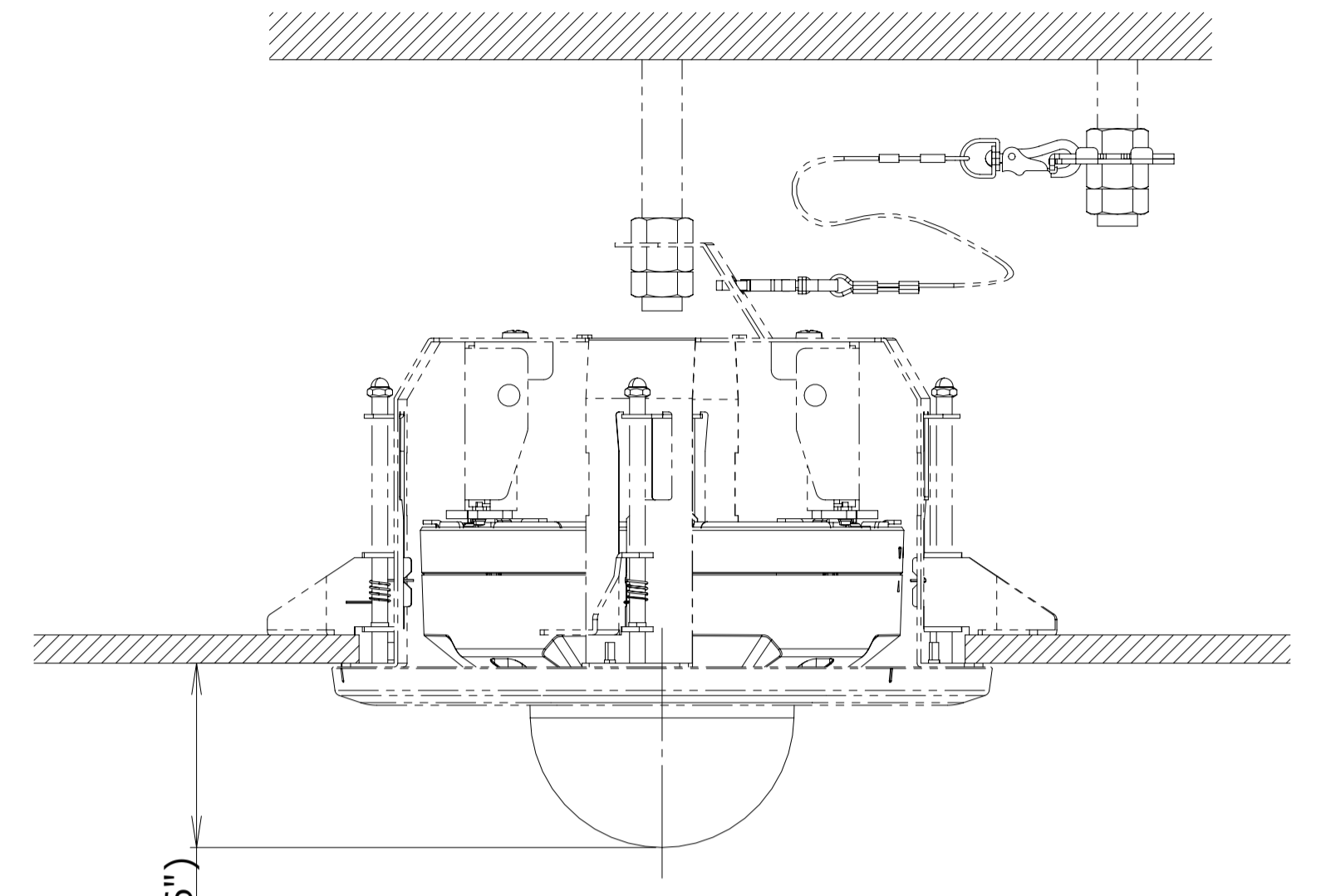


Attach to WV-QJB504**

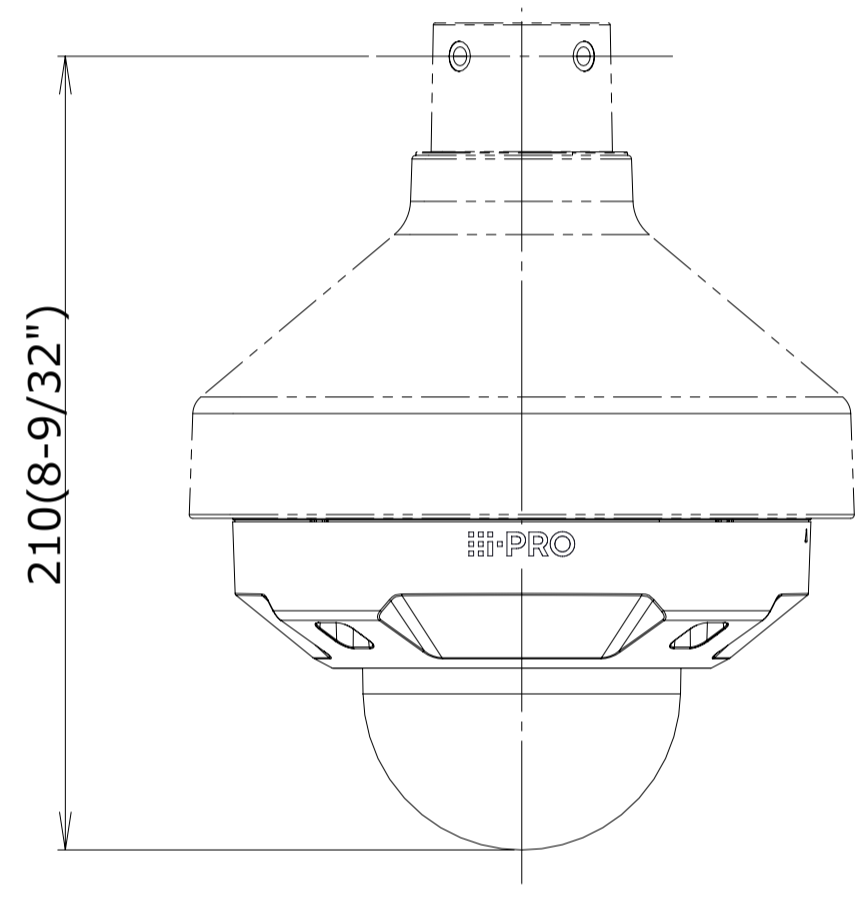
正面図/Front-view	投影面積/Projected area 0.015(m2)
側面図/Side-view	0.016(m2)



Attach to WV-Q105A

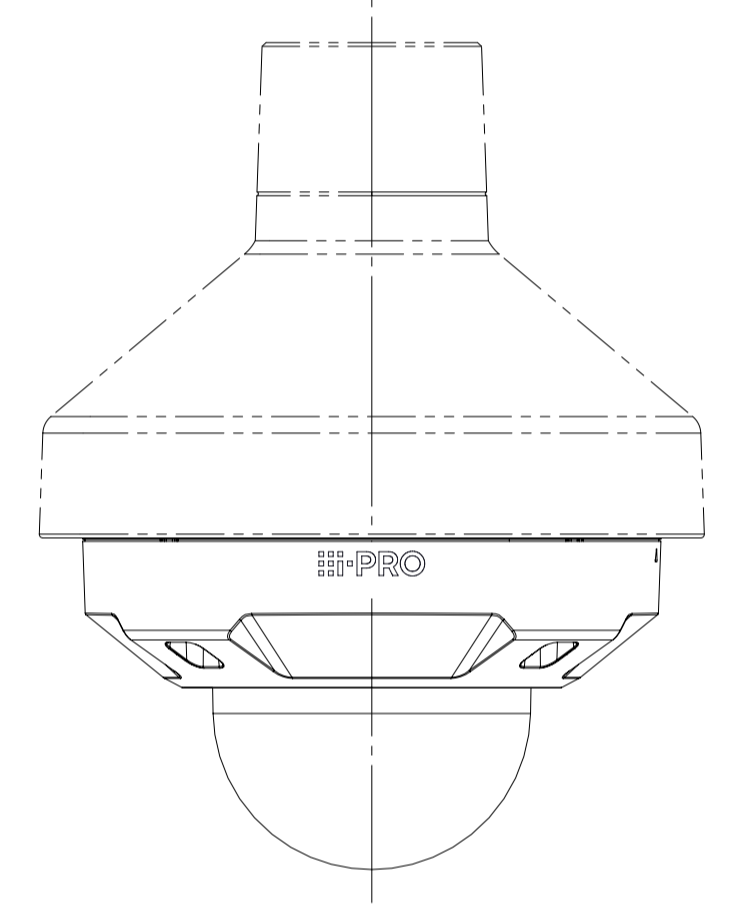


Attach to WV-QEM500**



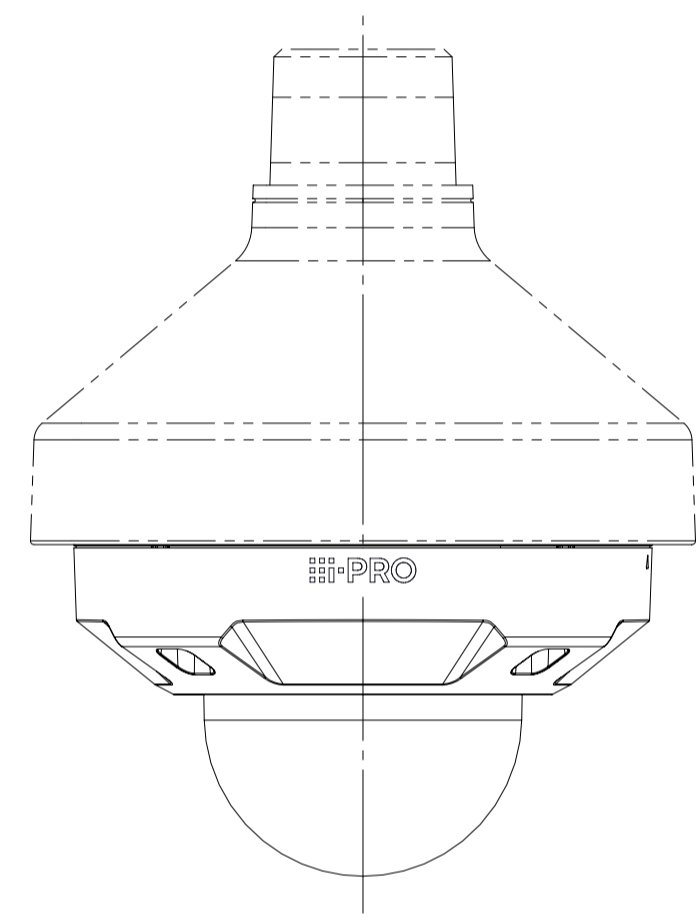
Attach to WV-QSR501**

側面図/Side-view (嵌合部除く) (Excluding the mating part)	投影面積/Projected area 0.021(m2)
---	----------------------------------



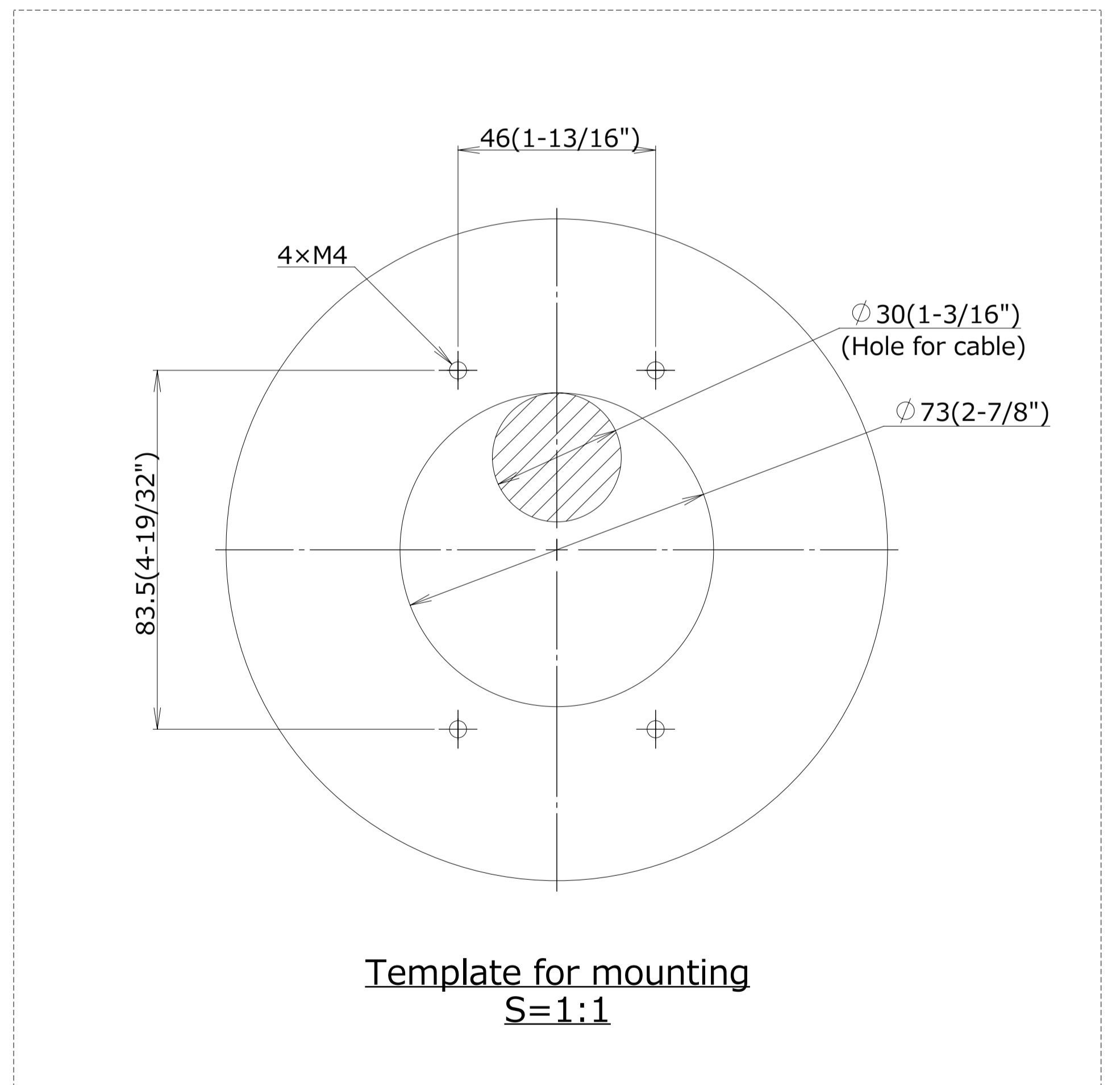
Attach to WV-QSR501F**

側面図/Side-view	投影面積/Projected area 0.023(m2)
---------------	----------------------------------

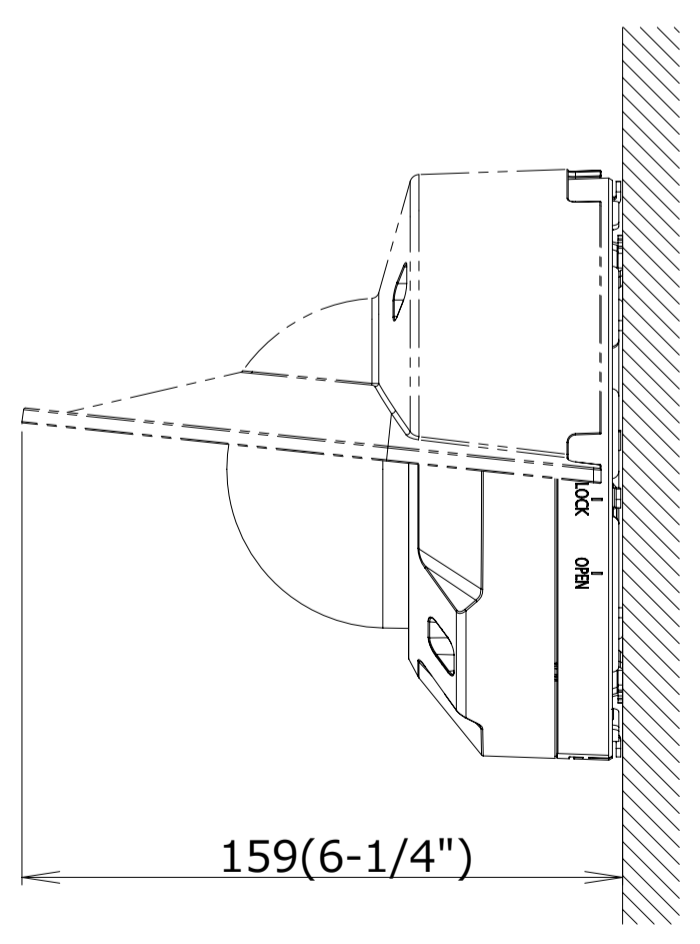


Attach to WV-QSR501M**

側面図/Side-view (嵌合部除く) (Excluding the mating part)	投影面積/Projected area 0.021(m2)
---	----------------------------------

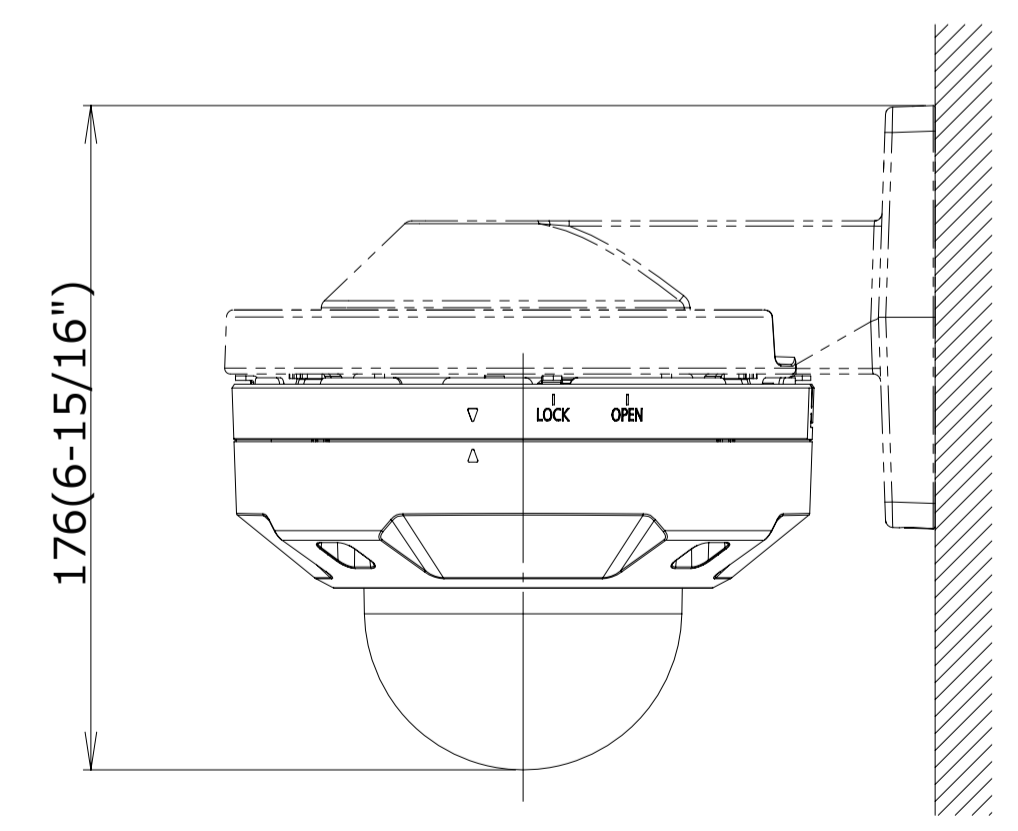


Template for mounting
S=1:1



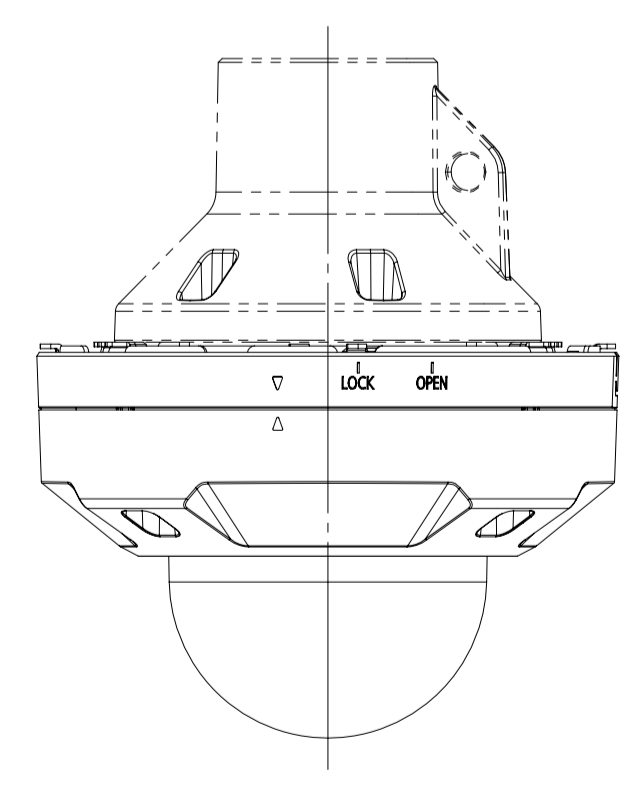
Attach to WV-QSR505**

側面図/Side-view	投影面積/Projected area 0.013(m2)
---------------	----------------------------------



Attach to WV-QWL500**

側面図/Side-view	投影面積/Projected area 0.019(m2)
---------------	----------------------------------



Attach to WV-QCL100**

Unit:mm

