

Revision History:

Rev. 1.0: Initial release. Rev. 1.1: Added mounting holes for IB8367A, IB8369A, IB8377, and IB8379
 Rev. 1.2: Added IB9387, MS8391-EV, MS9390-HV, and IB9389 as the supported models.

Corresponding ordering part numbers:

AM-412: 900034902G	AM-719: 100184500G
AM-218: 100146100G	

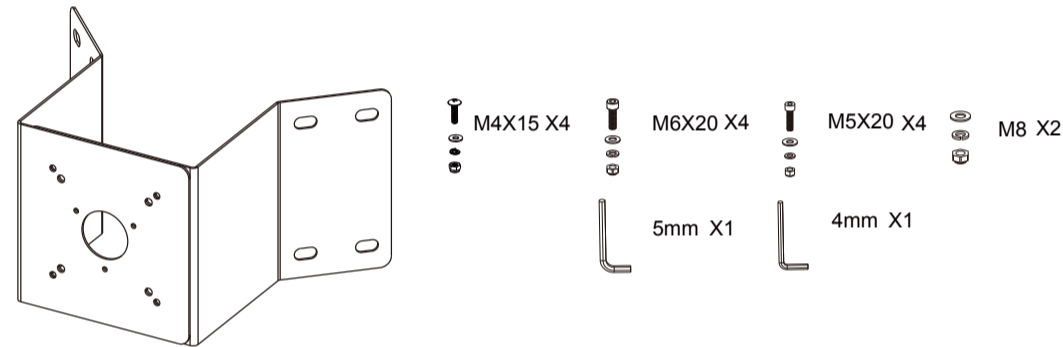
I Compatible VIVOTEK Cameras

Compatible accessories	Supported Cameras
AM-719	IB836BA-EHF3/EHT/HF3/HT, IB8382-EF3/ET/F3/T, IB9371-EHT/HT, IB9381-EHT/HT, IB9365-EHT/HT, IB9367-EHT/HT/EH/H, IB8377-EHT/HT, IB9391-EHT, IB9387-EHT/HT/EH/H, MS8391-EV.
AM-218 (via AM-719)	Please refer to AM-218, AM-520, and AM-525 documents.
Directly attached	Supported Cameras
*	IB836BA-EHF3/EHT/HF3/HT, IB8382-EF3/ET/F3/T, IB9371-EHT/HT, IB9381-EHT/HT, IB9365-EHT/HT, IB9367-EHT/HT/EH/H, IB8377-EHT/HT, IB9391-EHT, IB9387-EHT/HT/EH/H, MS8391-EV, MS9390-HV IB8367A, IB8369A, IB8377-H, IB8379-H, IB9389 series

* The directly-attached configuration is less recommended for the lack of waterproof and cabling protection. If directly attached, you should properly wrap the rear-end cables and connectors with waterproof protection such as putties.

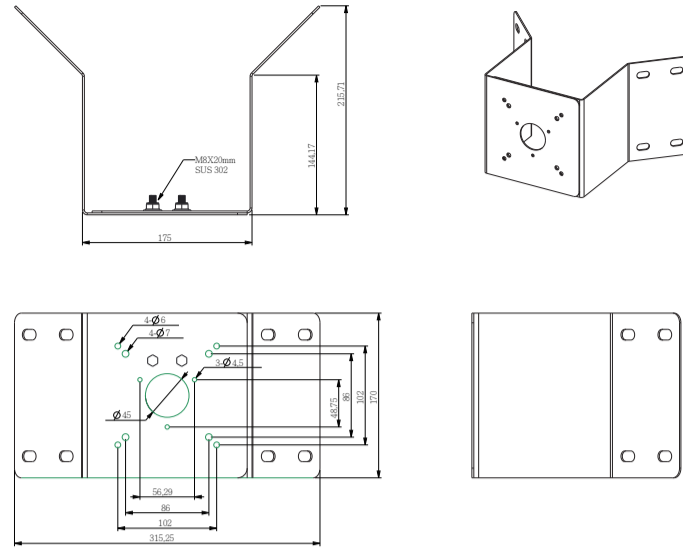
Package Contents

Items	1. Corner mount bracket, 2. M6X20mm screws x4, 3. M5X20mm screws x4, 4. Hex L wrench 5mm x1, 5. Hex L wrench 4mm x1, 6. M8 nut x2, 7. M4x15 screws x4
-------	---

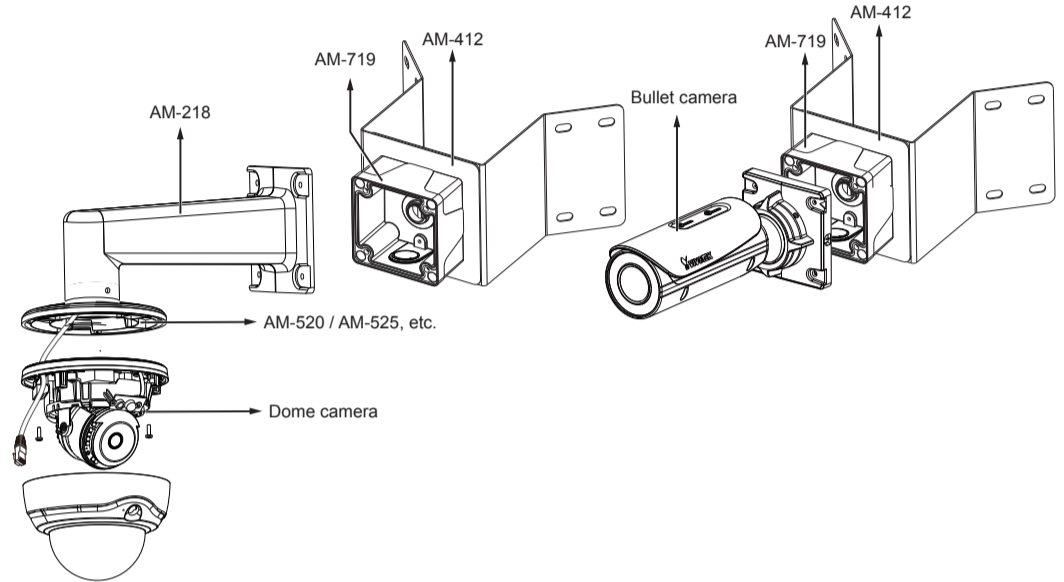


II Mechanical Drawings

AM-412 Corner mount bracket



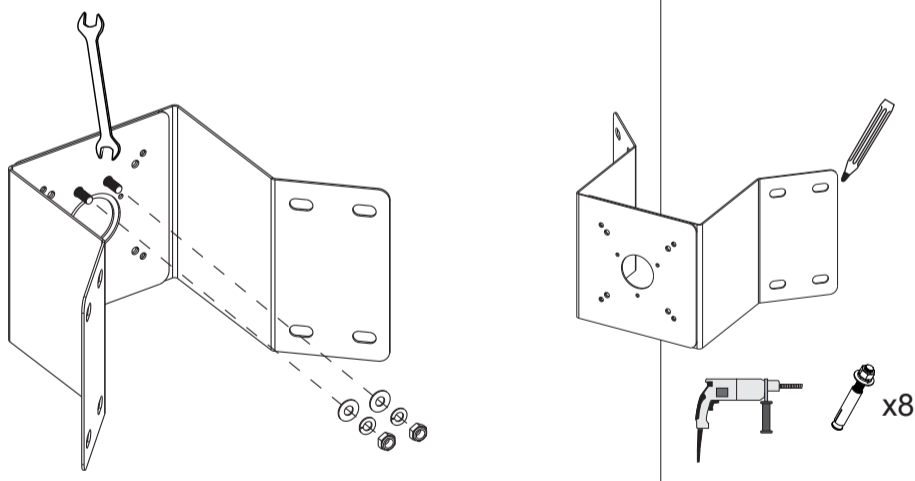
AM-412 Applications



III Installation

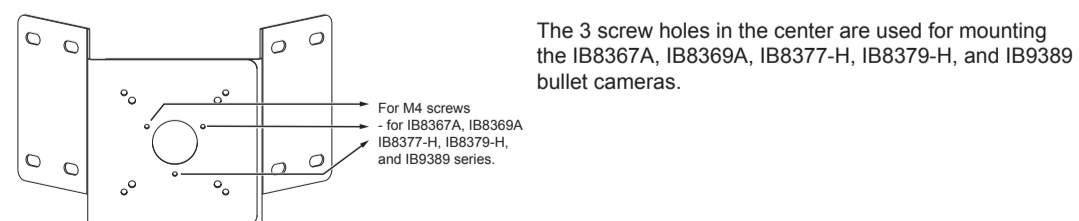
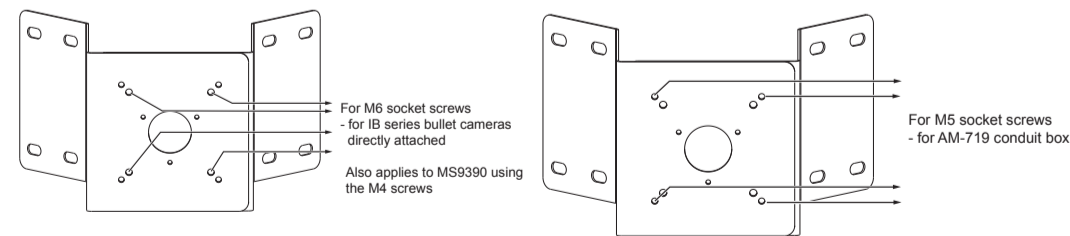
Below is a general, sample procedure using a Corner mount bracket:

- Combine the two metal pieces together using the M8 hex nuts and washers.
- Align the assembled brackets with the desired position. Align screw holes on the brackets against the wall. Drill holes on the wall for securing the bracket and for routing the cables. Hammer the anchors into the wall. Note that these screws and wall anchors are user-supplied.

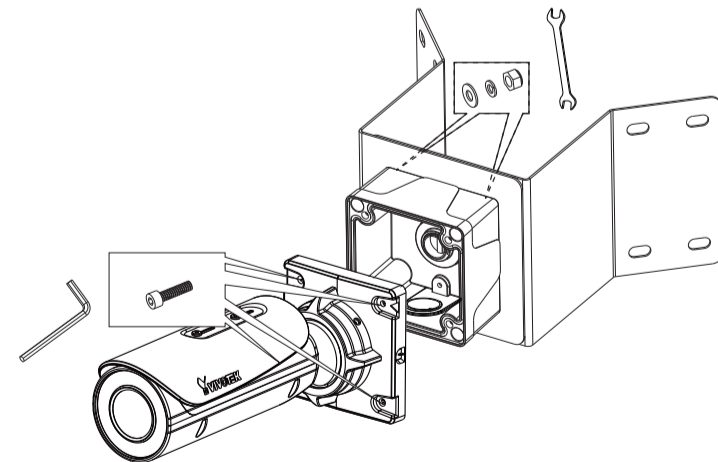
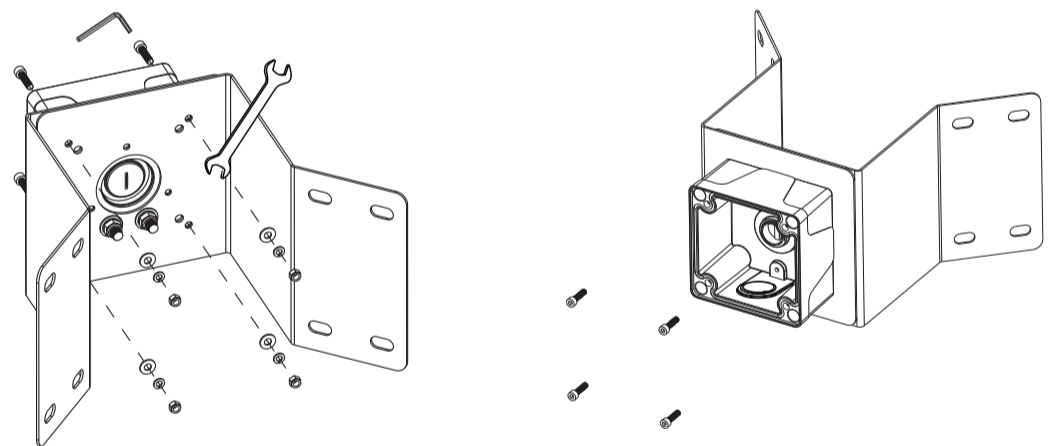


- The 4 screw holes in the center are used for directly mounting the IB series bullet cameras.

The 4 screw holes at the edges are used for mounting the AM-719 conduit box.



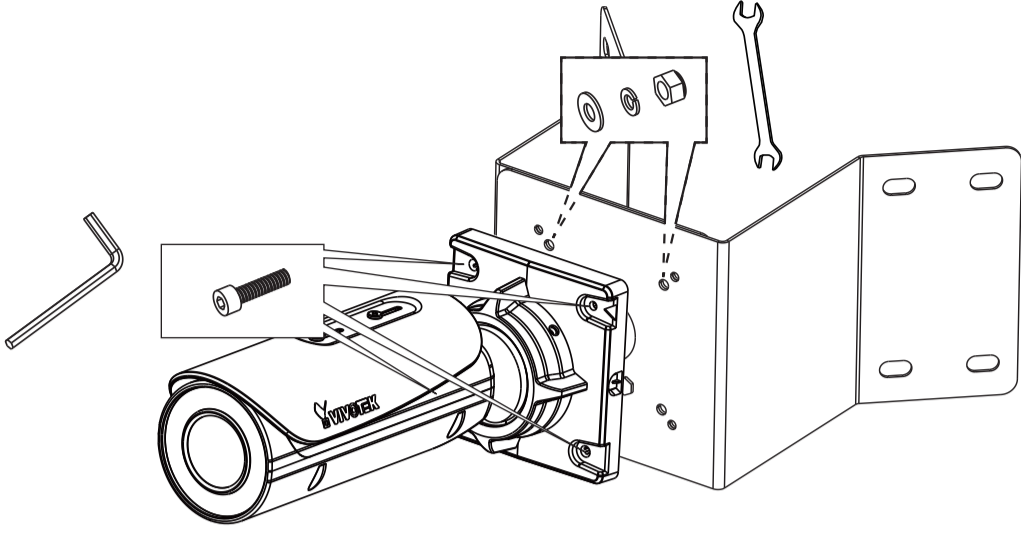
- Secure the AM-719 conduit box to bracket using the M5 screws, washers, and hex heads. A hex crescent wrench is required.



- For the rest of the installation procedure, refer to the documentation that came with the AM-719, AM-218, and the other accessories.

The 3/4" cable glands and conduits for protecting cables are user-supplied.

If you are installing a bullet camera directly to the bracket, use the M6 screws in the center. A hex crescent wrench is required.



The installation of IB8367A, IB8369A, IB8377, IB8379, and IB9389 is similar to the above, except using different mounting holes and screws.

Below are the corresponding mount holes for the MS9390-HV.

