

Part no.: 625045400G

Ordering part no.: 100184500G

Revision History:

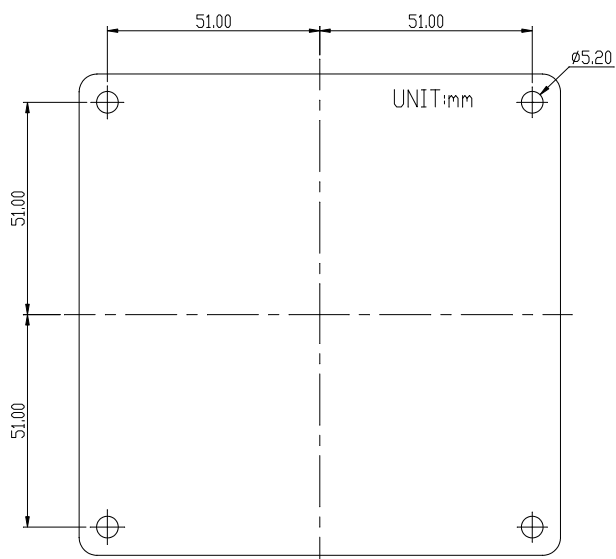
Rev. 1.0: Initial release

Compatible VIVOTEK Cameras

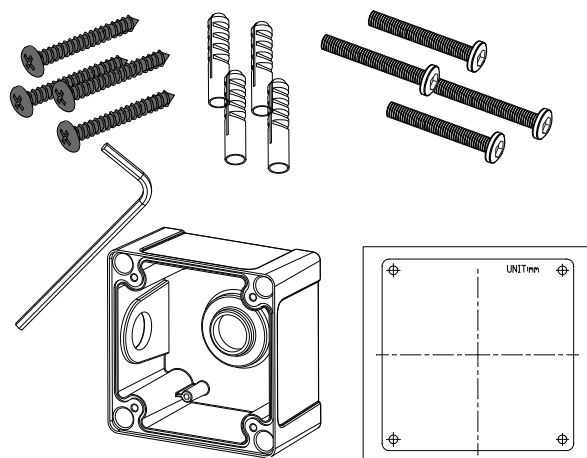
Compatible cameras/brackets

IB836BA-EHF3/EHT/HF3/HT, IB8382-EF3/ET/F3/T, IB9371-EHT/HT, IB9381-EHT/HT, IB9365-EHT/HT, IB9367-EHT/HT/H, IB8377-EHT/HT

Mounting Dimensions

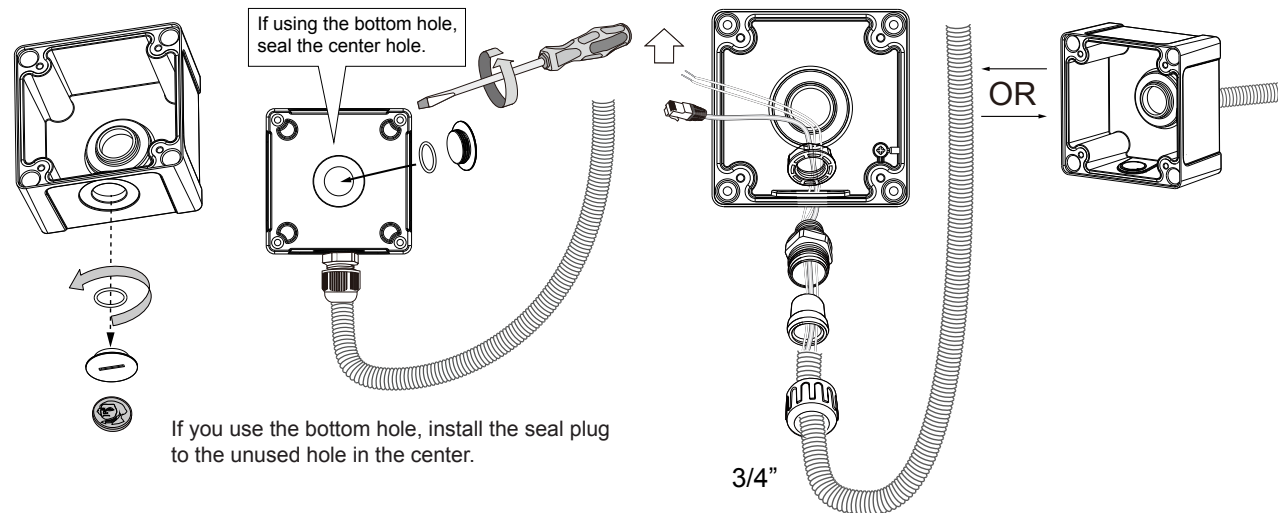


Package Contents

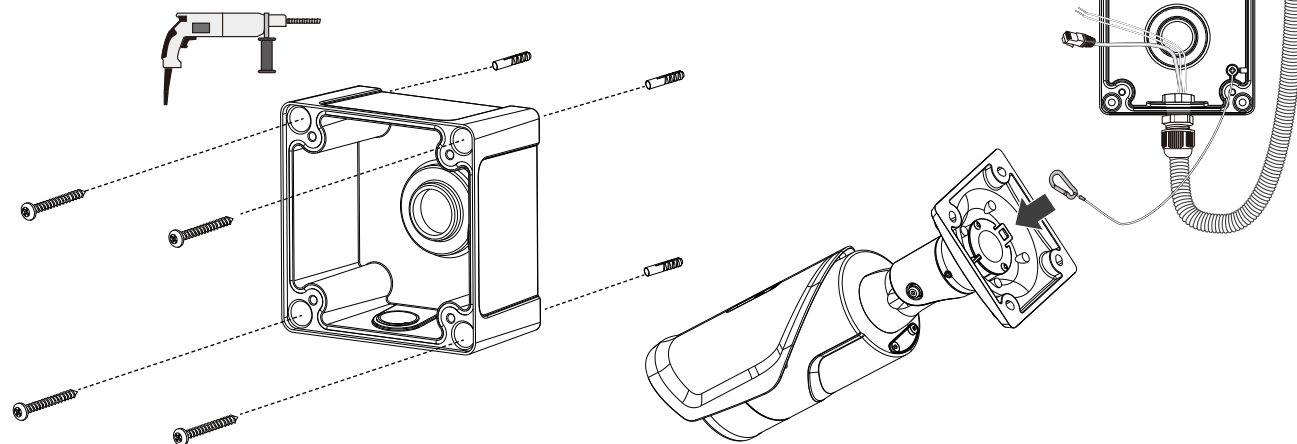


Installation

- 1 A 3/4" conduit is required for routing the cables with waterproof connection. The cable gland and conduit are user-supplied.
- 3 Install the cable gland and pass cables through it.

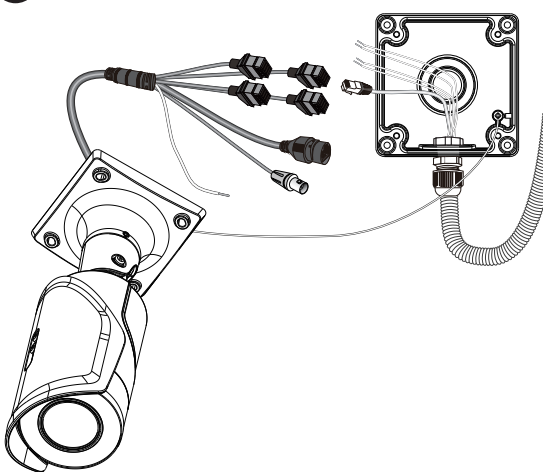


- 2 Attach the included alignment sticker to a preferred position. Drill holes on the wall and install the junction box. If space behind the wall allows, you may also pass cables through the wall.
- 4 Connect the tether wire between camera and box.

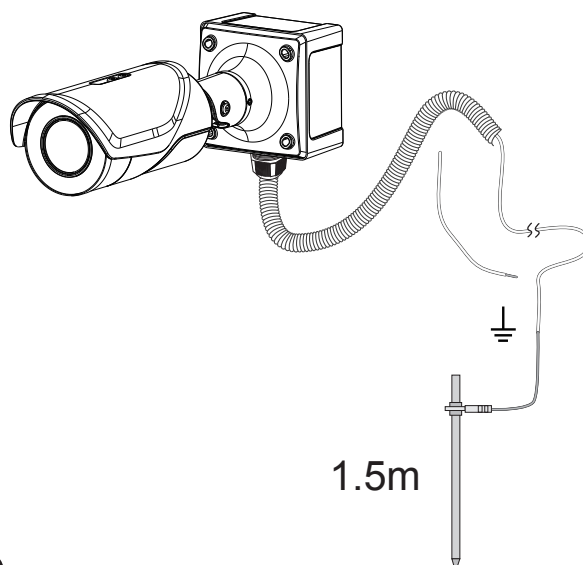


The drawing takes IB9365 as an example. The combo cables are not shown here for the simplicity reason.

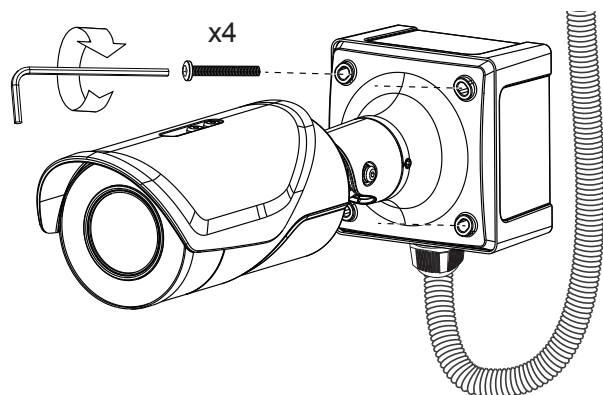
- 5 Connect cables and all wirings.



- 7 Connect the ground wire to a proper grounding point.



- 6 Secure the camera to box using the hex socket screws.



- 8 Open a live view console and adjust the shooting direction. Refer to the camera's QIG for more information.