



E Series Network Speed Dome

Quick Start Guide



Quick Start Guide

© 2021 Hangzhou Hikvision Digital Technology Co., Ltd. All rights reserved.

About this Manual

The Manual includes instructions for using and managing the Product. Pictures, charts, images and all other information hereinafter are for description and explanation only. The information contained in the Manual is subject to change, without notice, due to firmware updates or other reasons. Please find the latest version of this Manual at the Hikvision website (<https://www.hikvision.com/>).

Please use this Manual with the guidance and assistance of professionals trained in supporting the Product.

Trademarks Acknowledgement

HIKVISION and other Hikvision's trademarks and logos are the properties of Hikvision in various jurisdictions.

Other trademarks and logos mentioned are the properties of their respective owners.

LEGAL DISCLAIMER

TO THE MAXIMUM EXTENT PERMITTED BY APPLICABLE LAW, THIS MANUAL AND THE PRODUCT DESCRIBED, WITH ITS HARDWARE, SOFTWARE AND FIRMWARE, ARE PROVIDED "AS IS" AND "WITH ALL FAULTS AND ERRORS". HIKVISION MAKES NO WARRANTIES, EXPRESS OR IMPLIED, INCLUDING WITHOUT LIMITATION, MERCHANTABILITY, SATISFACTORY QUALITY, OR FITNESS FOR A PARTICULAR PURPOSE. THE USE OF THE PRODUCT BY YOU IS AT YOUR OWN RISK. IN NO EVENT WILL HIKVISION BE LIABLE TO YOU FOR ANY SPECIAL, CONSEQUENTIAL, INCIDENTAL, OR INDIRECT DAMAGES, INCLUDING, AMONG OTHERS, DAMAGES FOR LOSS OF BUSINESS PROFITS, BUSINESS INTERRUPTION, OR LOSS OF DATA, CORRUPTION OF SYSTEMS, OR LOSS OF DOCUMENTATION, WHETHER BASED ON BREACH OF CONTRACT, TORT (INCLUDING NEGLIGENCE), PRODUCT LIABILITY, OR OTHERWISE, IN CONNECTION WITH THE USE OF THE PRODUCT, EVEN IF HIKVISION HAS BEEN ADVISED OF THE POSSIBILITY OF SUCH DAMAGES OR LOSS.

YOU ACKNOWLEDGE THAT THE NATURE OF THE INTERNET PROVIDES FOR INHERENT SECURITY RISKS, AND HIKVISION SHALL NOT TAKE ANY RESPONSIBILITIES FOR ABNORMAL OPERATION, PRIVACY LEAKAGE OR OTHER DAMAGES RESULTING FROM CYBER-ATTACK, HACKER ATTACK, VIRUS INFECTION, OR OTHER INTERNET SECURITY RISKS; HOWEVER, HIKVISION WILL PROVIDE TIMELY TECHNICAL SUPPORT IF REQUIRED. YOU AGREE TO USE THIS PRODUCT IN COMPLIANCE WITH ALL APPLICABLE LAWS, AND YOU ARE SOLELY RESPONSIBLE FOR ENSURING THAT YOUR USE CONFORMS TO THE APPLICABLE LAW. ESPECIALLY, YOU ARE RESPONSIBLE, FOR USING THIS PRODUCT IN A MANNER THAT DOES NOT INFRINGE ON THE RIGHTS OF THIRD PARTIES, INCLUDING WITHOUT LIMITATION, RIGHTS OF PUBLICITY, INTELLECTUAL PROPERTY RIGHTS, OR DATA PROTECTION AND OTHER PRIVACY RIGHTS. YOU SHALL NOT USE THIS PRODUCT FOR ANY PROHIBITED END-USES, INCLUDING THE DEVELOPMENT OR PRODUCTION OF WEAPONS OF MASS DESTRUCTION, THE DEVELOPMENT OR PRODUCTION OF CHEMICAL

OR BIOLOGICAL WEAPONS, ANY ACTIVITIES IN THE CONTEXT RELATED TO ANY NUCLEAR EXPLOSIVE OR UNSAFE NUCLEAR FUEL-CYCLE, OR IN SUPPORT OF HUMAN RIGHTS ABUSES.

IN THE EVENT OF ANY CONFLICTS BETWEEN THIS MANUAL AND THE APPLICABLE LAW, THE LATER PREVAILS.

Regulatory Information

FCC Information

Please take attention that changes or modification not expressly approved by the party responsible for compliance could void the user's authority to operate the equipment.

FCC compliance: This equipment has been tested and found to comply with the limits for a Class A digital device, pursuant to part 15 of the FCC Rules. These limits are designed to provide reasonable protection against harmful interference when the equipment is operated in a commercial environment. This equipment generates, uses, and can radiate radio frequency energy and, if not installed and used in accordance with the instruction manual, may cause harmful interference to radio communications. Operation of this equipment in a residential area is likely to cause harmful interference in which case the user will be required to correct the interference at his own expense.

FCC Conditions

This device complies with part 15 of the FCC Rules. Operation is subject to the following two conditions:

1. This device may not cause harmful interference.
2. This device must accept any interference received, including interference that may cause undesired operation

EU Conformity Statement



This product and - if applicable - the supplied accessories too are marked with "CE" and comply therefore with the applicable harmonized European standards listed under the EMC Directive 2014/30/EU, the RoHS Directive 2011/65/EU.



2012/19/EU (WEEE directive): Products marked with this symbol cannot be disposed of as unsorted municipal waste in the European Union. For proper recycling, return this product to your local supplier upon the purchase of equivalent new equipment, or dispose of it at designated collection points.

For more information see: www.recyclethis.info.



2006/66/EC (battery directive): This product contains a battery that cannot be disposed of as unsorted municipal waste in the European Union. See the product documentation for specific battery information. The battery is marked with this symbol, which may include lettering to indicate cadmium (Cd), lead (Pb), or mercury (Hg). For proper recycling, return the battery to your supplier

or to a designated collection point. For more information see: www.recyclethis.info.

Industry Canada ICES-003 Compliance

This device meets the CAN ICES-3 (A)/NMB-3(A) standards requirements.

이 기기는 업무용 환경에서 사용할 목적으로 적합성평가를 받은 기기로서 가정용 환경에서 사용하는 경우 전파간섭의 우려가 있습니다.



Safety Instruction

These instructions are intended to ensure that user can use the product correctly to avoid danger or property loss.

The precaution measure is divided into **Warnings** and **Cautions**:

Warnings: Neglecting any of the warnings may cause serious injury or death.

Cautions: Neglecting any of the cautions may cause injury or equipment damage.

	
Warnings Follow these safeguards to prevent serious injury or death.	Cautions Follow these precautions to prevent potential injury or material damage.



Warnings

Laws and Regulations

The device should be used in compliance with local laws, electrical safety regulations, and fire prevention regulations.

Electrical Safety

CAUTION: To reduce the risk of fire, replace only with the same type and rating of fuse. This equipment shall be installed incorporated with UPS to avoid the risk of restart.

Battery

This equipment is not suitable for use in locations where children are likely to be present.

CAUTION: Risk of explosion if the battery is replaced by an incorrect type.

Improper replacement of the battery with an incorrect type may defeat a safeguard (for example, in the case of some lithium battery types).

Do not dispose of the battery into fire or a hot oven, or mechanically crush or cut the battery, which may result in an explosion.

Do not leave the battery in an extremely high temperature surrounding environment, which may result in an explosion or the leakage of flammable liquid or gas.

Do not subject the battery to extremely low air pressure, which may result in an explosion or the leakage of flammable liquid or gas.

Dispose of used batteries according to the instructions.

L'utilisation ou le remplacement inadéquats de la pile peuvent entraîner un risque d'explosion. Remplacez-la par le même type ou l'équivalent du même type seulement. Jetez les piles usagées conformément aux directives fournies par le fabricant de la pile.



Cautions

Fire Prevention

No naked flame sources, such as lighted candles, should be placed on the equipment. The serial port of the equipment is used for debugging only.

Hot Surface

CAUTION: Hot parts! Burned fingers when handling the parts.



This sticker is to indicate that the marked item can be hot and should not be touched without taking care. Wait one-half hour after switching off before handling parts.

The device with this sticker is intended for installation in a restricted access location. Access can only be gained by service persons or by users who have been instructed about the reasons for the restrictions applied to the location and about any precautions that shall be taken.

Installation

Install the equipment according to the instructions in this manual.

To prevent injury, this equipment must be securely attached to the ceiling/wall in accordance with the installation instructions.

Be sure that there is enough space to install the device and accessories.

Make sure that the wall is strong enough to withstand at least 8 times the weight of the device and the mount.

Make sure that the power has been disconnected before you wire, install, or disassemble the device.

Transportation

Keep the device in original or similar packaging while transporting it.

Do not drop the product or subject it to physical shock.

Power Supply

The power source should meet limited power source or PS2 requirements according to IEC 60950-1 or IEC 62368-1 standard.

Refer to the device label for the standard power supply. Please make sure your power supply matches with your device.

Use a power adapter provided by qualified manufacturers. It is recommended to provide an independent power adapter for each device as adapter overload may cause over-heating or a fire hazard.

System Security

Please understand that you have the responsibility to configure all the passwords and other security settings about the device, and keep your user name and password.

Maintenance

If the product does not work properly, please contact your dealer or the nearest service center. We shall not assume any responsibility for problems caused by unauthorized repair or maintenance.

A few device components (e.g., electrolytic capacitor) require regular replacement. The average lifespan varies, so periodic checking is recommended. Contact your dealer for details.

Cleaning

Please use a soft and dry cloth to clean the interior and exterior surfaces. Do not use alkaline detergents.

Using Environment

When any laser equipment is in use, make sure that the device lens is not exposed to the laser beam, or it may burn out.

Do not aim the lens at the sun or any other bright light.

To avoid heat accumulation, good ventilation is required for a proper operating environment.

DO NOT expose the device to extremely hot, cold, dusty, corrosive, saline-alkali, or damp environments.

For outdoor devices, the working temperature shall be -30°C to 65°C (-22°F to 149°F) and the working humidity shall be lower than 90%. For indoor devices, the working temperature shall be -10°C to 50°C (-14°F to 122°F) and the working humidity shall be lower than 90%.

DO NOT expose the device to high electromagnetic radiation.

Illuminator

Make sure that there is no reflective surface too close to the device lens. The light from the device may reflect back into the lens causing reflection.

The beam of the light at the distance of 200 mm is classified as Risk Group 1 (RG1). The minimum safe distance is approximately 500 mm away from the device.

Possible hazardous optical radiation emitted from this product. DO NOT stare at operating light source. May be harmful to the eyes.

If appropriate shielding or eye protection is not available, turn on the light only at a safe distance or in the area that is not directly exposed to the light.

When assembling, installing or maintaining the device, DO NOT turn on the light, or wear eye protection.

Emergency

If smoke, odor, or noise arises from the device, immediately turn off the power, unplug the power cable, and contact the service center.

Time Synchronization

Set up device time manually for the first time access if the local time is not synchronized with that of the network. Visit the device via web browser/client software and go to time settings interface.

Table of Contents

1 Overview	1
1.1 Speed Dome Overview	1
1.1.1 Overview of DE4xxx Series Speed Dome	1
1.1.2 Overview of DE4xxxI Series (IR) Speed Dome.....	2
1.1.3 Overview of DE5xxx Series Speed Dome	2
1.1.4 Overview of DE5xxxI Series (IR) Speed Dome.....	3
1.1.5 Overview of DE6xxxI Series (IR) Speed Dome.....	3
1.1.6 Overview of DE7xxxI Series (IR) Speed Dome.....	4
1.1.7 Overview of SE7xxxI Series (IR) Speed Dome	4
1.1.8 Overview of DE7Sxxx Series Speed Dome	5
1.2 Cable Interfaces	5
1.3 Alarm Output.....	6
2 Installation	7
2.1 Installing DE4xxx Series Speed Dome	7
2.1.1 Wall Mounting.....	7
2.1.2 In-ceiling Mounting.....	10
2.1.3 Ceiling Mounting.....	13
2.2 Installing DE4xxxI Series (IR) Speed Dome	14
2.2.1 Wall Mounting.....	14
2.2.2 In-ceiling Mounting.....	16
2.3 Installing DE5xxx Series Speed Dome	20
2.3.1 Wall Mounting.....	20
2.3.2 In-ceiling Mounting.....	21
2.4 Installing DE5xxxI Series (IR) Speed Dome	22
2.5 Installing DE6xxxI Series (IR) Speed Dome	23
2.6 Installing DE7xxxI Series (IR) Speed Dome	23
2.7 Installing SE7xxxI Series (IR) Speed Dome	24
2.8 Installing DE7Sxxx Series Speed Dome	24
2.9 Protective Measures for Outdoor Installation	25
3 Activate and Access Network Camera	26

1 Overview

1.1 Speed Dome Overview

The network speed dome has seven series:

- DE4xxx Series
- DE4xxxI Series (IR)
- DE5xxx Series
- DE5xxxI Series (IR)
- DE6xxxI Series (IR)
- DE7xxxI Series (IR)
- SE7xxxI Series (IR)
- DE7Sxxx Series

Note:

The figures below are for reference only, refer to the actual product as the standard.

1.1.1 Overview of DE4xxx Series Speed Dome

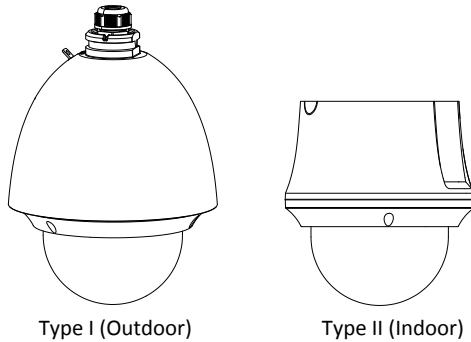


Figure 1-1 Overview of DE4xxx Series Speed Dome

1.1.2 Overview of DE4xxxI Series (IR) Speed Dome

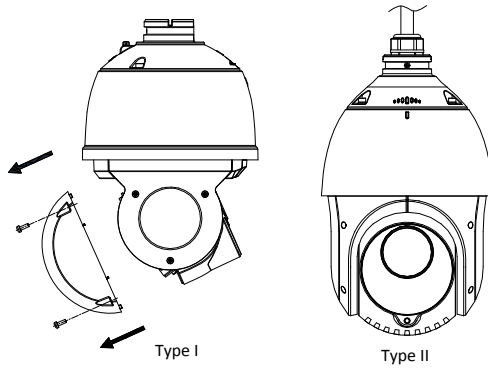


Figure 1-2 Overview of DE4xxxI Series (IR) Speed Dome

1.1.3 Overview of DE5xxx Series Speed Dome

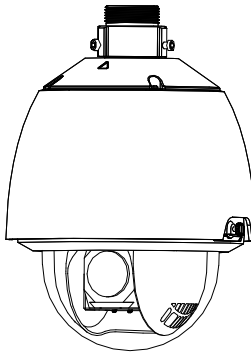


Figure 1-3 Overview of DE5xxx Series Speed Dome

1.1.4 Overview of DE5xxxI Series (IR) Speed Dome

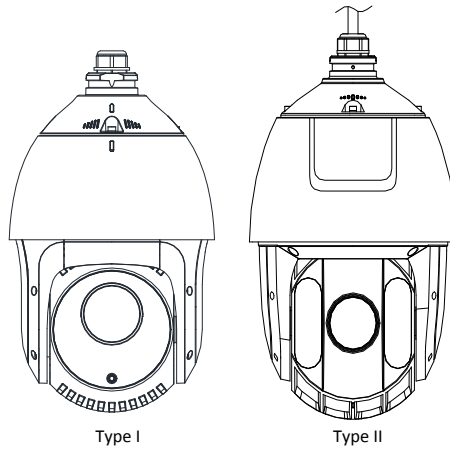


Figure 1-4 Overview of DE5xxxI Series (IR) Speed Dome

1.1.5 Overview of DE6xxxI Series (IR) Speed Dome

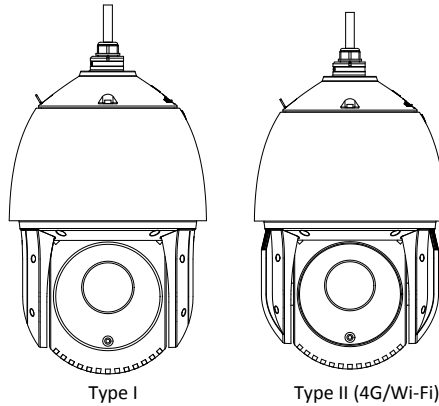


Figure 1-5 Overview of DE6xxxI Series (IR) Speed Dome

1.1.6 Overview of DE7xxxI Series (IR) Speed Dome

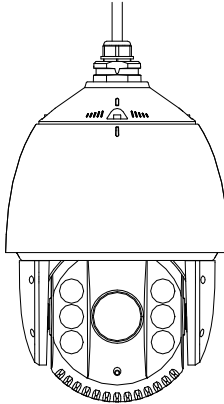


Figure 1-6 Overview of DE7xxxI Series (IR) Speed Dome

1.1.7 Overview of SE7xxxI Series (IR) Speed Dome

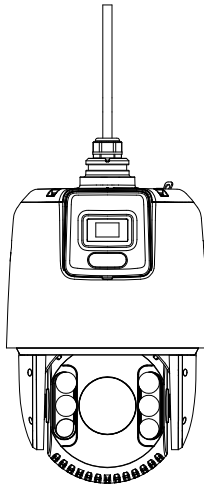


Figure 1-7 Overview of SE7xxxI Series (IR) Speed Dome

1.1.8 Overview of DE7Sxxx Series Speed Dome

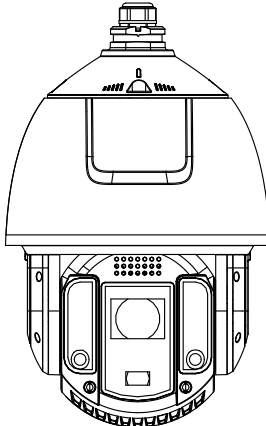


Figure 1-8 Overview of DE7Sxxx Series Speed Dome

1.2 Cable Interfaces

The cable interfaces of the speed dome are shown in Figure 1-9. The cables are distinguished by different colors. Refer to the labels attached on the cables for identification.

Notes:

- The cables vary depending on different speed dome models.
- Make sure the speed dome is power-off before you connect the cables.

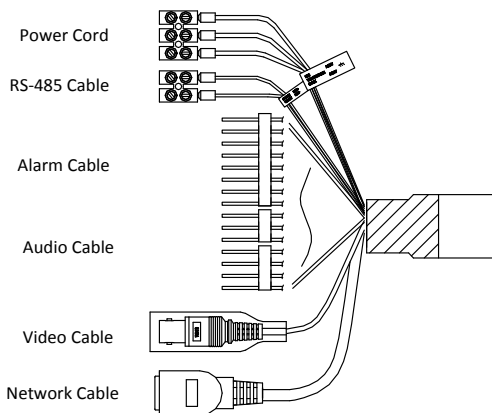


Figure 1-9 Cable Interfaces

1.3 Alarm Output

Alarm output is shown in Figure 1-10.

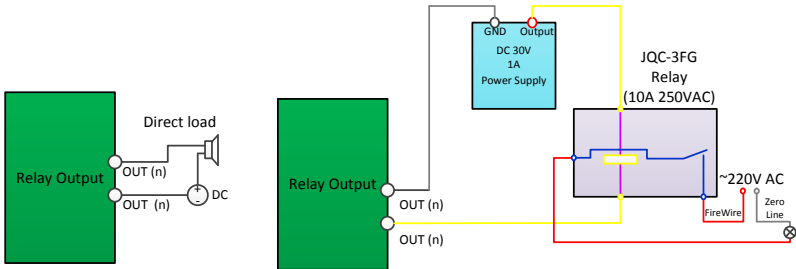


Figure 1-10 Alarm Output

2 Installation

Before you start:

Check the package contents and make sure that the device in the package is in good condition and all the assembly parts are included.

Notes:

- Do not touch the bubble directly by hand. The image blurs otherwise.
- Do not power the speed dome up until the installation is finished. To ensure the safety of personnel and equipment, all the installation steps should be done with power supply off.
- Do not drag the speed dome with its waterproof cables; otherwise the waterproof performance is affected.

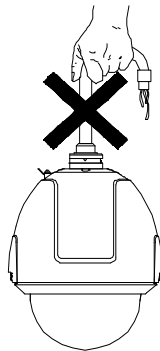


Figure 2-1 Do Not Drag the Cables

2.1 Installing DE4xxx Series Speed Dome

2.1.1 Wall Mounting

Notes:

- For cement wall, you need to use the expansion screw to fix the bracket. The mounting hole of the expansion pipe on the wall should align with the mounting hole on the bracket.
- For wooden wall, you can just use the self-tapping screw to fix the bracket.
- Make sure that the wall is strong enough to withstand more than eight times the weight of the speed dome and the accessories.

- The bracket in Figure 2-4 is the recommended bracket for this series of speed dome, and a pendant adapter is required if any other bracket is selected. The dimension of pendant adapter is $G1\frac{1}{2}$.

Steps:

1. Install the memory card.
 - 1) Loosen the lock screws on the speed dome bubble and remove the bubble.
 - 2) Remove the protective lens cover, foam, and sticker.

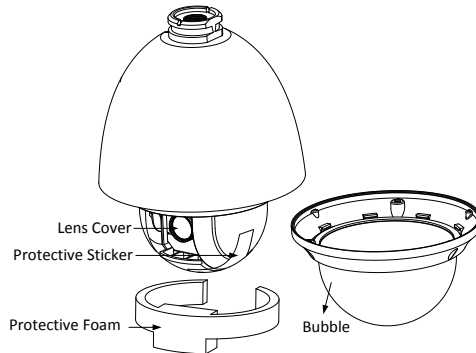


Figure 2-2 Remove the Protective Accessories

- 3) Align the memory card with the memory card slot and insert it.

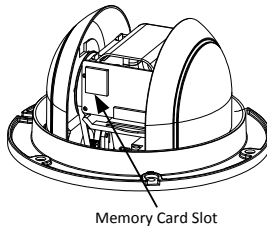


Figure 2-3 Memory Card Slot

- 4) Install the bubble back and tighten the lock screws.
2. Install the bracket.
 - 1) Get the bracket and screws from the packing box as shown in Figure 2-4.

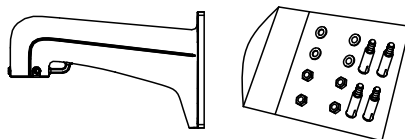


Figure 2-4 Wall Mounting Bracket

- 2) Drill four screw holes in the wall according to the holes on the bracket, and then insert four M8 × 85 expansion screws into the mounting holes.
- 3) Attach the gasket and the bracket to the wall by aligning the four screw holes on the bracket with four expansion screws on the wall.
- 4) Secure the bracket with four hex nuts and washers.

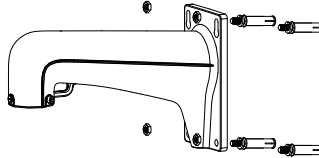


Figure 2-5 Secure the Bracket

3. Install the speed dome to the bracket.
 - 1) Hook the two ends of the safety rope to the speed dome back box and the bracket respectively as shown in Figure 2-6.

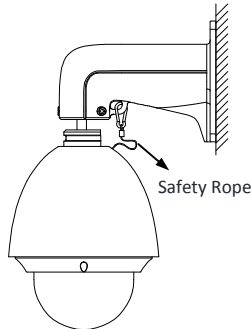


Figure 2-6 Safety Rope

- 2) Route the cables through the bracket and connect the corresponding cables.
- 3) Loosen the two SC-AM6 × 14 lock screws on the bracket.
- 4) Align the speed dome with bracket and rotate it to the bracket counterclockwise or clockwise tightly as shown in Figure 2-7.

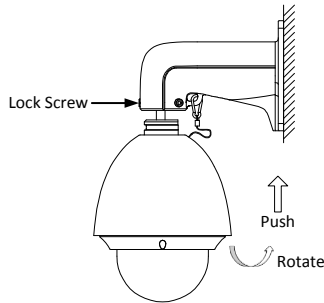


Figure 2-7 Align to the Bracket

- 5) Tighten the two SC-AM6 × 14 lock screws with the wrench to secure the speed dome and the bracket.
4. Remove the protective film on the bubble after the installation is finished.

2.1.2 In-ceiling Mounting

Notes:

- The height of the space above the ceiling must be more than 250 mm.
- The thickness of the ceiling must range from 5 mm to 40 mm.
- The ceiling must be strong enough to withstand more than four times the weight of the speed dome and the accessories.

Steps:

1. Disassemble the speed dome.
 - 1) Loosen three screws and remove the bubble.
 - 2) Loosen three screws and remove the back box.
 - 3) Remove the protective lens cover, foam, and sticker.

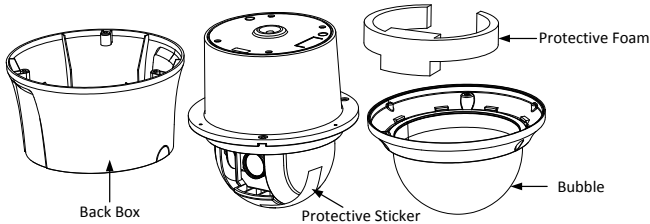


Figure 2-8 Disassemble the Speed Dome

2. Install the memory card.

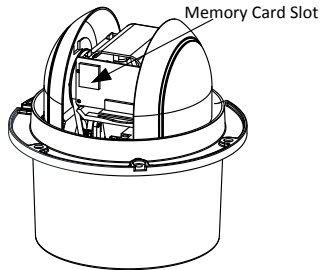


Figure 2-9 Memory Card Slot

3. Drill screw holes in the ceiling.
 - 1) Attach the drill template to the ceiling where you want to install the speed dome.
 - 2) Cut a hole and drill screw holes according to the drill template.

Note:

±2 mm of the circle diameter is tolerable.

4. Install the toggle bolts.
 - 1) Remove the toggle from the toggle bolt.
 - 2) Insert the bolts into the screw holes on the speed dome as shown in Figure 2-10.

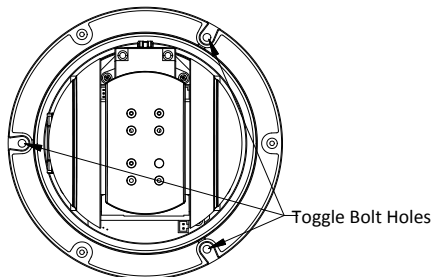


Figure 2-10 Toggle Bolt Holes

- 3) Rotate the bolts through the screw holes.
- 4) Install the toggles back as shown in Figure 2-11.

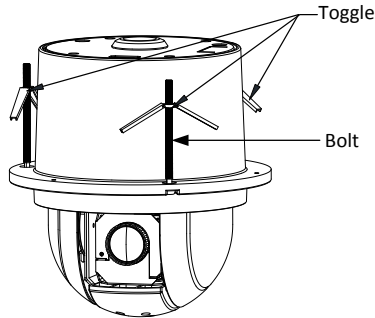


Figure 2-11 Install the Toggle Bolts

5. Install the speed dome to the ceiling.
 - 1) Align the toggle bolts with the screw holes on the ceiling.
 - 2) Push the speed dome to the mounting hole on the ceiling.
 - 3) Rotate the bolts again. The toggle will automatically rotate down to secure the speed dome to the ceiling.

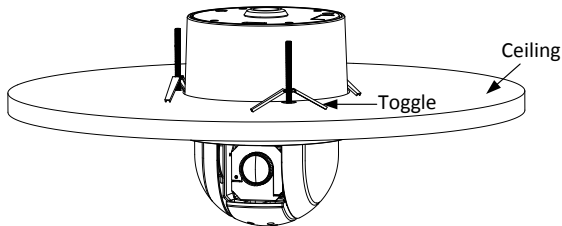


Figure 2-12 Install the Speed Dome to the Ceiling

- 4) Secure the bubble to the back box with three screws as shown in Figure 2-13.

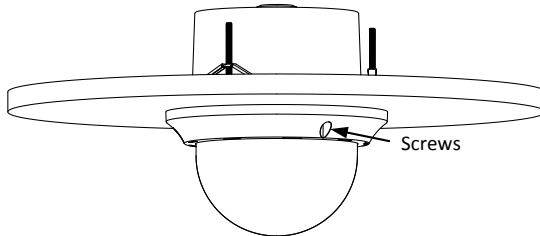


Figure 2-13 Secure the Bubble

6. Route the cables through the ceiling.
7. Remove the protective film on the bubble after the installation is finished.

2.1.3 Ceiling Mounting

Notes:

- The thickness of the ceiling must range from 5 mm to 40 mm.
- The ceiling must be strong enough to withstand more than four times the weight of the speed dome and the accessories.
- If the speed dome is installed to the wooden ceiling, use the self-tapping screws to secure the mounting base.
- If the speed dome is installed to the cement ceiling, drill three $\Phi 5$ mm screw holes onto the ceiling according to the position of the holes, and then secure the mounting base to the ceiling with expansion screws.

Steps:

1. Disassemble the speed dome.
 - 1) Loosen three screws and remove the bubble.
 - 2) Remove the protective lens cover, foam, and sticker.

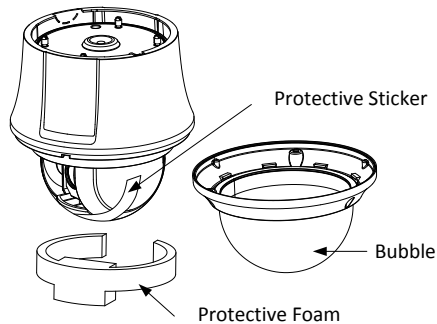


Figure 2-14 Disassemble the Speed Dome

- 3) Attach the bubble to the back box, and secure it with screws.
2. Install the memory card.
3. Drill screw holes in the ceiling.
 - 1) Attach the drill template to the ceiling where you want to install the speed dome.
 - 2) Drill screw holes and a cable hole (optional) according to the drill template.
4. Install the speed dome to the ceiling.
 - 1) Align the ceiling bracket with the screw holes on the drill template. And secure the ceiling bracket to the ceiling with screws (supplied).
 - 2) Align the hook of the ceiling with unlock label on the speed dome.
 - 3) Push the speed dome to the ceiling bracket and rotate clockwise to secure it.

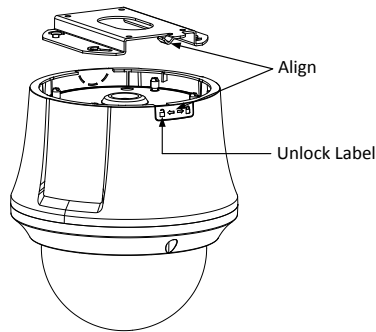


Figure 2-15 Install the Speed Dome

5. Remove the protective film on the bubble after the installation is finished.

2.2 Installing DE4xxxI Series (IR) Speed Dome

2.2.1 Wall Mounting

Notes:

- For cement wall, you need to use the expansion screw to fix the bracket. The mounting hole of the expansion pipe on the wall should align with the mounting hole on the bracket.
- For wooden wall, you can just use the self-tapping screw to fix the bracket.
- Make sure that the wall is strong enough to withstand more than eight times the weight of the speed dome and the accessories.
- The bracket in Figure 2-4 is the recommended bracket for this series of speed dome, and a pendant adapter is required if any other bracket is selected. The dimension of pendant adapter is $G1\frac{1}{2}$.

Steps:

1. Install the memory card.
 - 1) Loosen the lock screws on the rear cover and remove the rear cover.
 - 2) Align the memory card with the memory card slot and insert it.

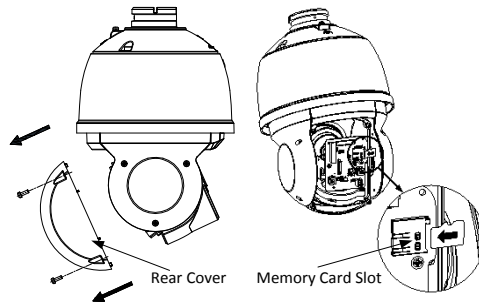


Figure 2-16 Memory Card Slot (Type I)

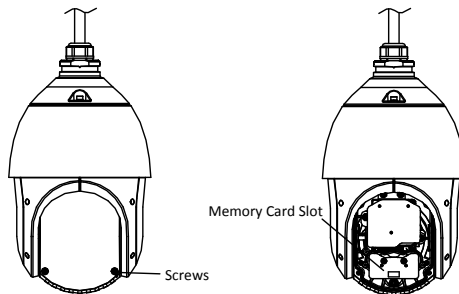


Figure 2-17 Memory Card Slot (Type II)

- 3) Install the rear cover back and tighten the lock screws.
2. Install the bracket.

Note:

Refer to **step 2** in **Section 2.1.1 Wall Mounting**.

3. Install the speed dome to the bracket.
 - 1) Hook the two ends of the safety rope to the speed dome and the bracket respectively as shown in Figure 2-18.

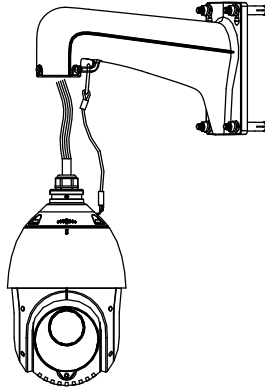


Figure 2-18 Safety Rope

- 2) Route the cables through the bracket and connect the corresponding cables.
- 3) Loosen the two SC-AM6 × 14 lock screws on the bracket.
- 4) Align the speed dome with bracket and rotate it to the bracket tightly.
- 5) Tighten the two SC-AM6 × 14 lock screws with the wrench to secure the speed dome and the bracket.

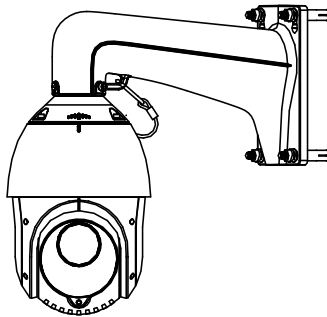


Figure 2-19 Secure the Speed Dome

4. Remove the protective film on the bubble after the installation is finished.

2.2.2 In-ceiling Mounting

Note:

- The height of the space above the ceiling must be more than 250 mm.
- The thickness of the ceiling must range from 5 mm to 40 mm.
- The ceiling must be strong enough to withstand more than four times the weight of the speed dome and the accessories.

DE4xxxI Series (IR) Type I Speed Dome

Steps:

1. Install the memory card.

Note:

Refer to **step 1** in **Section 2.2.1 Wall Mounting**.

2. Drill screw holes in the ceiling.
 - 1) Attach the drill template to the ceiling where you want to install the speed dome.
 - 2) Cut a hole and drill screw holes according to the drill template.

Note:

± 2 mm of the circle diameter is tolerable.

3. Route the cables through the ceiling for the speed dome.
4. Install the toggle bolts.
 - 1) Remove the toggle from the toggle bolt.
 - 2) Insert the bolts into the screw holes on the speed dome.
 - 3) Rotate the bolts through the screw holes.
 - 4) Install the toggles back as shown in Figure 2-20.

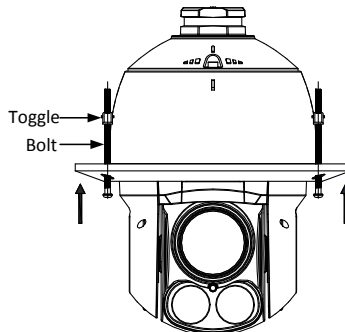


Figure 2-20 Install the Toggle Bolts

5. Install the speed dome to the ceiling.
 - 1) Align the toggle bolts with the screw holes on the ceiling.
 - 2) Push the speed dome to the mounting hole on the ceiling.

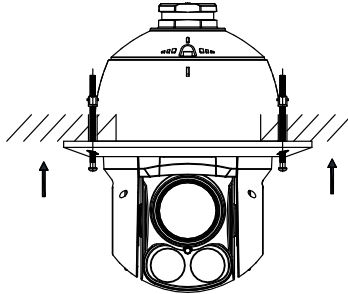


Figure 2-21 Push to the Mounting Hole

- 3) Rotate the bolts again. The toggle will automatically rotate down to secure the speed dome to the ceiling.

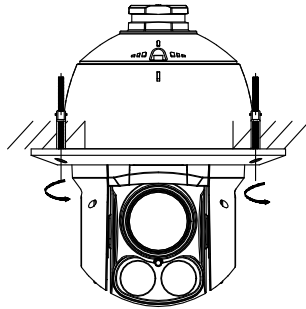


Figure 2-22 Install the Speed Dome to the Ceiling

6. Remove the protective film on the bubble after the installation is finished.

DE4xxxI Series (IR) Type II Speed Dome

Steps:

1. Install the memory card.

Note:

Refer to **step 1** in **Section 2.2.1 Wall Mounting**.

2. Drill screw holes in the ceiling.
 - 1) Attach the drill template to the ceiling where you want to install the speed dome.
 - 2) Cut a hole and drill screw holes according to the drill template.

Note:

± 2 mm of the circle diameter is tolerable.

3. Route the cables through the ceiling for the speed dome.
4. Install the bracket on the speed dome.

- 1) Place the in-ceiling bracket on the speed dome according to the direction of the arrow shown in Figure 2-23.
- 2) Rotate and tighten three SC-AM6 × 14 screws on the bracket to fix the bracket with the speed dome.

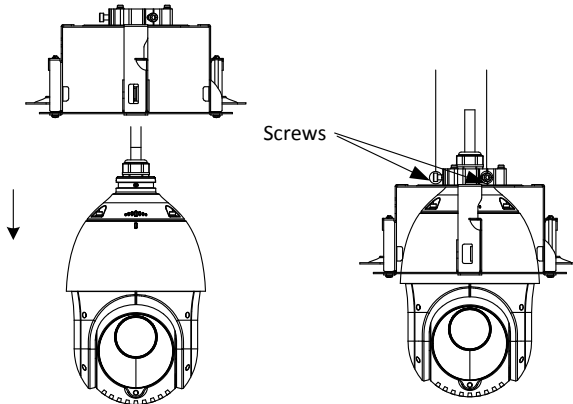


Figure 2-23 Install the Bracket

5. Install the speed dome to the ceiling.
 - 1) Align the toggle bolts with the screw holes on the ceiling.
 - 2) Push the speed dome according to the direction of the arrow in Figure 2-24 to the mounting hole.

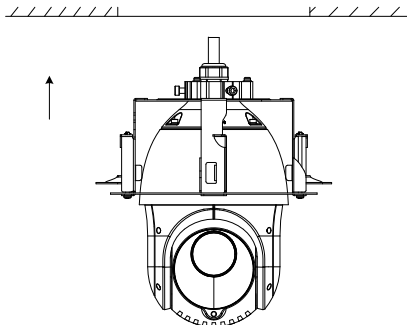


Figure 2-24 Push to the Mounting Hole

- 3) Rotate two M4 × 70 screws clockwise and the toggle will automatically rotate down to secure the speed dome to the ceiling. Fix the locks on the ceiling.

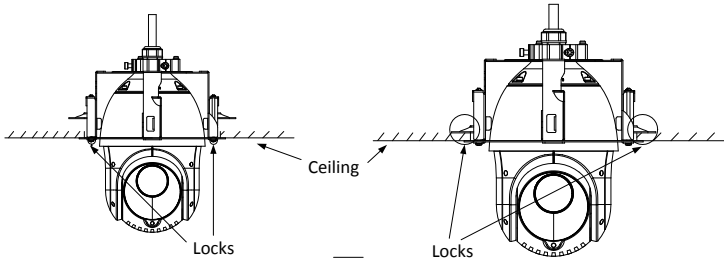


Figure 2-25 Install the Speed Dome to the Ceiling

6. Install the trim ring.

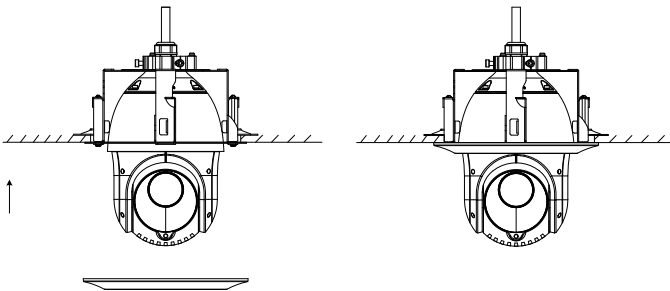


Figure 2-26 Install the Trim Ring

7. Remove the protective film on the bubble after the installation is finished.

2.3 Installing DE5xxx Series Speed Dome

2.3.1 Wall Mounting

Notes:

- Refer to **Section 2.1.1 Wall Mounting** for wall mounting steps for DE5xxx series speed dome.
- Refer to Figure 2-27 for memory card slot of DE5xxx series speed dome.

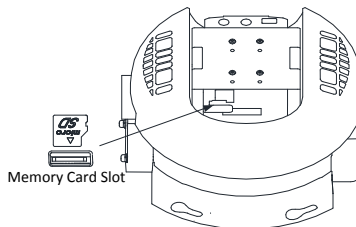


Figure 2-27 Memory Card Slot

2.3.2 In-ceiling Mounting

Notes:

- The height of the space above the ceiling must be more than 250 mm.
- The thickness of the ceiling must range from 5 mm to 40 mm.
- The ceiling must be strong enough to withstand more than four times the weight of the speed dome and the accessories.

Steps:

1. Disassemble the speed dome.
 - 1) Rotate the bubble counterclockwise to separate it from the back box.
 - 2) Remove the protective lens cover, foam, and sticker.
 - 3) Install the memory card.

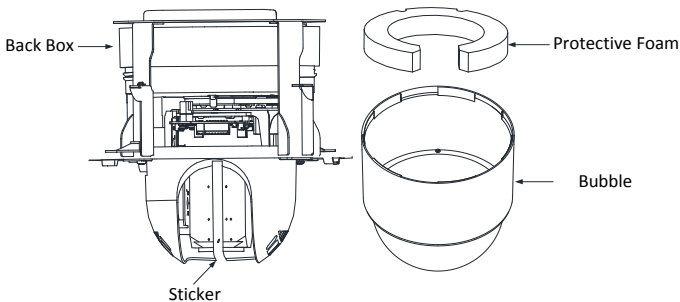


Figure 2-28 Disassemble the Speed Dome

- 4) Attach the bubble to the back box, and rotate clockwise to secure it.
2. Drill screw holes in the ceiling.
 - 1) Attach the drill template to the ceiling where you want to install the speed dome.
 - 2) Cut a hole and drill screw holes according to the drill template.

Note:

± 2 mm of the circle diameter is tolerable.

3. Install the speed dome to the ceiling.
 - 1) Loosen the two lock screws on both sides of the back box and make the locks in internal position as shown in Figure 2-29.

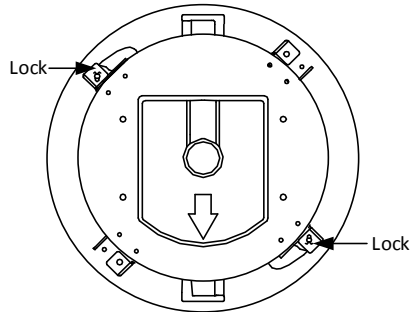


Figure 2-29 Locks

- 2) Push the back box into the mounting hole in the ceiling.
- 3) Tighten the lock screws with the screwdriver and the locks will automatically rotate outwards to secure the in-ceiling bracket to the ceiling.

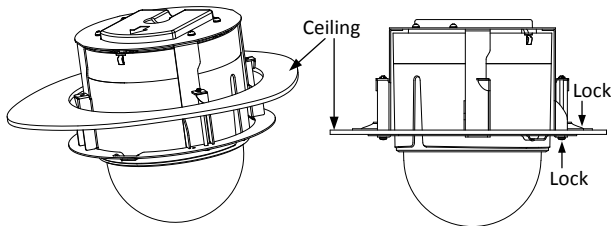


Figure 2-30 Install the Speed Dome to the Ceiling

4. Install the trim ring.
5. Remove the protective film on the bubble after the installation is finished.

2.4 Installing DE5xxxI Series (IR) Speed Dome

Notes:

- Refer to **Section 2.1.1 Wall Mounting** for wall mounting steps for DE5xxxI series (IR) speed dome.
- Refer to Figure 2-31 for memory card slot of DE5xxxI (IR) series speed dome.

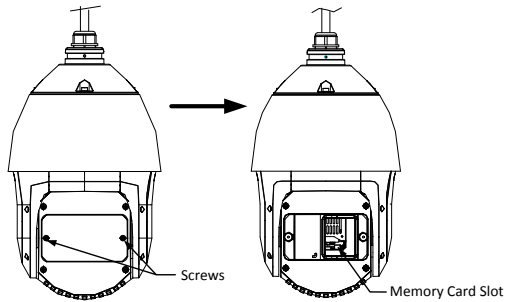


Figure 2-31 Memory Card Slot

2.5 Installing DE6xxxI Series (IR) Speed Dome

Notes:

- Refer to **Section 2.1.1 Wall Mounting** for wall mounting steps for DE6xxxI series (IR) speed dome.
- Refer to Figure 2-32 for memory card slot of DE6xxxI (IR) series speed dome.

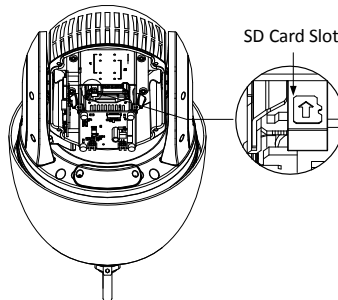


Figure 2-32 Memory Card Slot

2.6 Installing DE7xxxI Series (IR) Speed Dome

Notes:

- Refer to **Section 2.1.1 Wall Mounting** for wall mounting steps for DE7xxxI series (IR) speed dome.
- Refer to Figure 2-33 for memory card slot of DE7xxxI (IR) series speed dome.

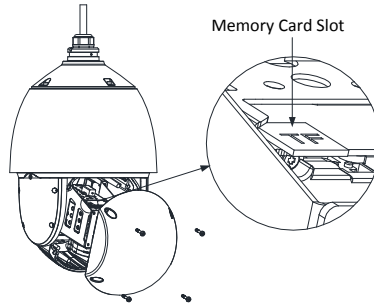


Figure 2-33 Memory Card Slot

2.7 Installing SE7xxxI Series (IR) Speed Dome

Notes:

- Refer to **Section 2.1.1 Wall Mounting** for wall mounting steps for SE7xxxI series (IR) speed dome.
- Refer to Figure 2-34 for the memory card slot of SE7xxxI (IR) series speed dome.

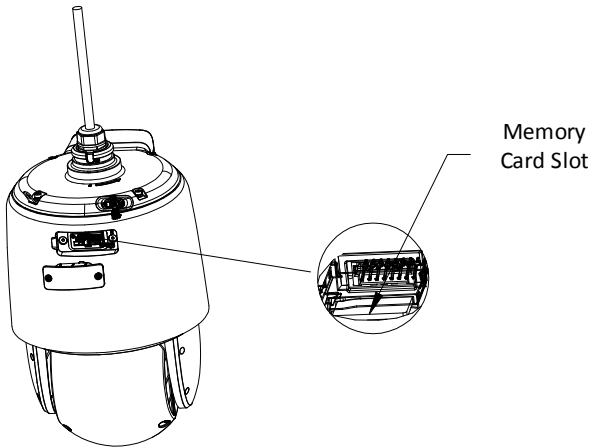


Figure 2-34 Memory Card Slot

2.8 Installing DE7Sxxx Series Speed Dome

Notes:

- Refer to **Section 2.1.1 Wall Mounting** for wall mounting steps for DE7Sxxx series speed dome.

- Refer to Figure 2-35 for the memory card slot of DE7Sxxx series speed dome.

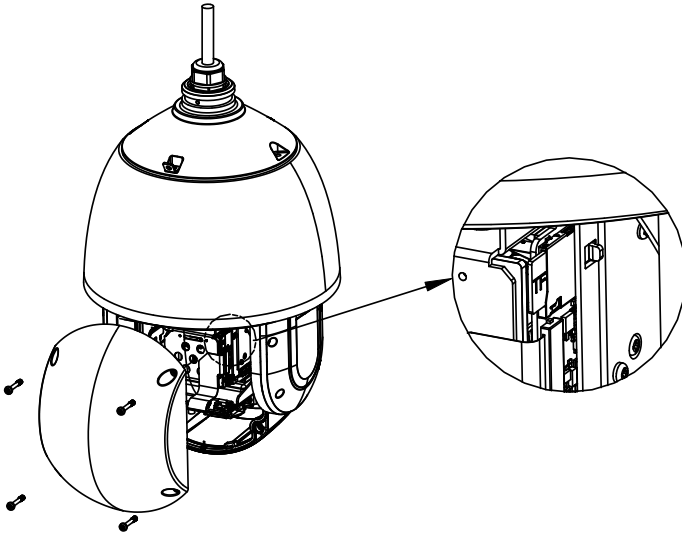


Figure 2-35 Memory Card Slot

2.9 Protective Measures for Outdoor Installation

If the device is installed outdoors, necessary protective measures should be taken to ensure safety. Scan the following QR code to get protective measures for outdoor installation.



3 Activate and Access Network Camera

Scan the QR code to get *Activate and Visit Network Camera*. Note that mobile data charges may apply if Wi-Fi is unavailable.





See Far, Go Further