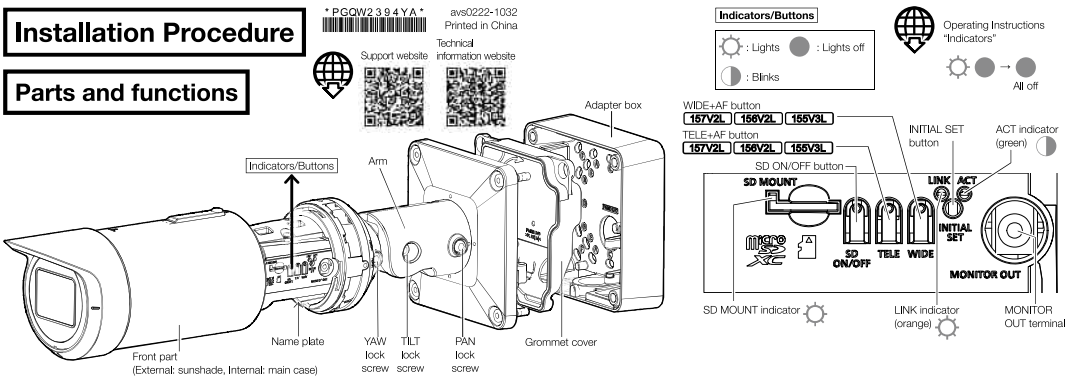


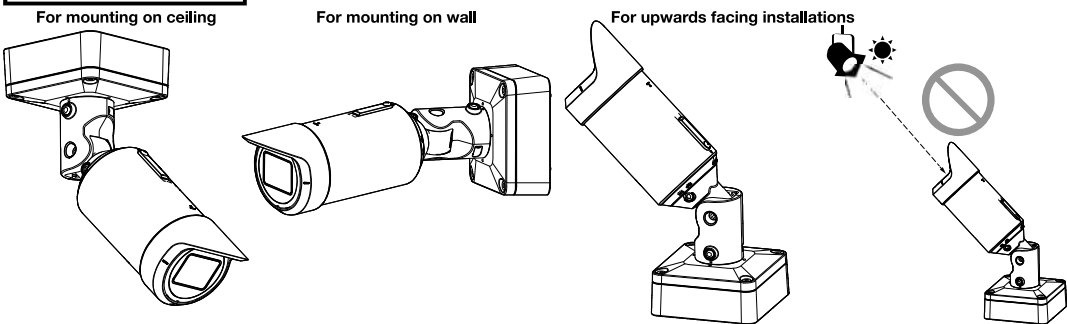
# Installation Procedure

PGQW2.3 9 4 Y A  
avs0222-1032  
Printed in China

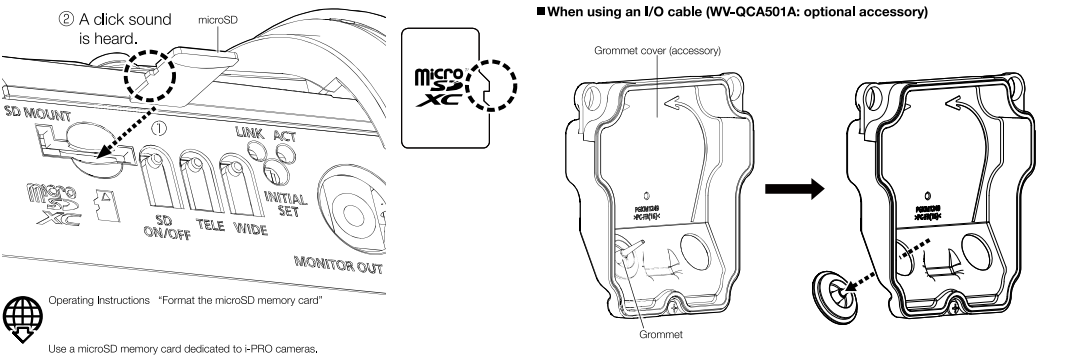
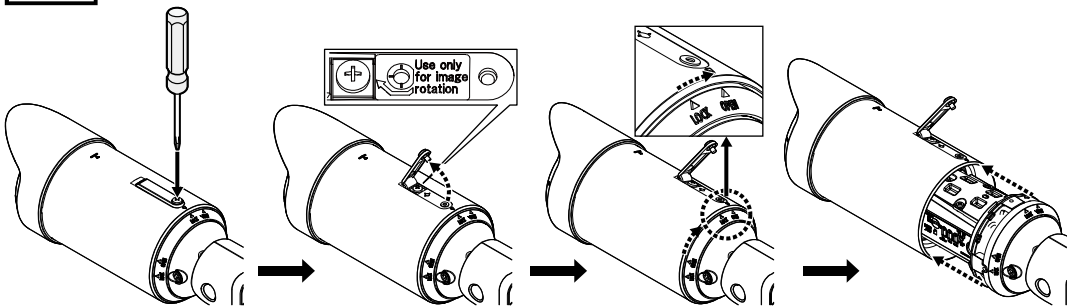
## Parts and functions



## Installation method



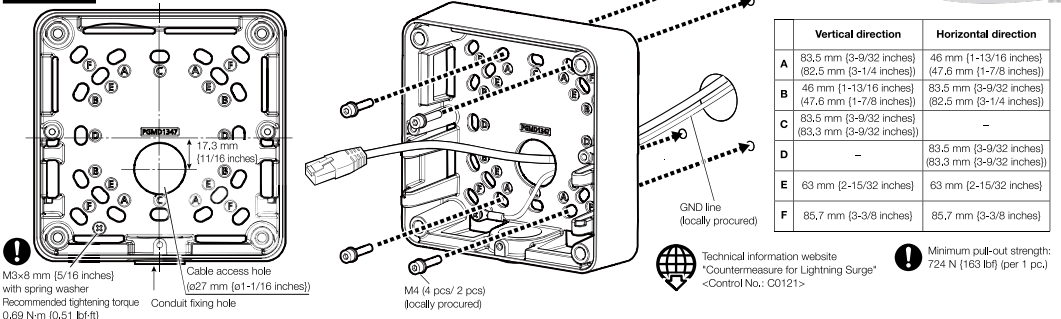
## Step1 Preparations



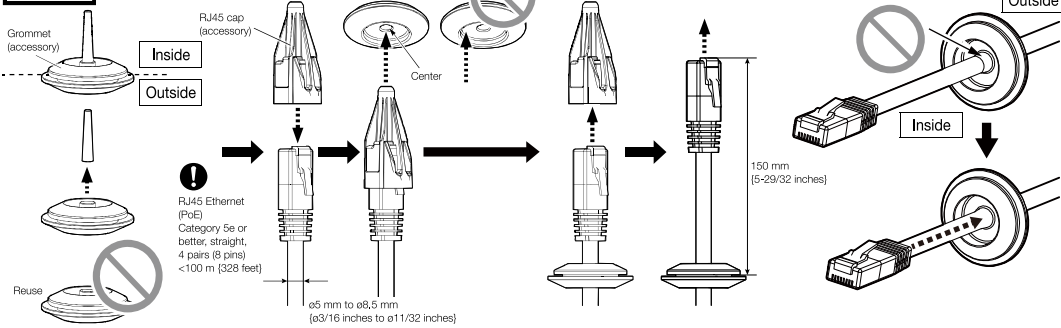
Operating Instructions "Format the microSD memory card"

Use a microSD memory card dedicated to IPRO cameras.

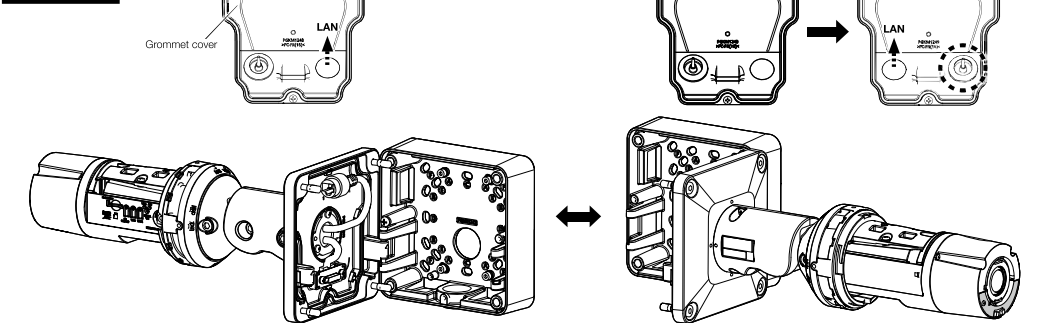
## Step2



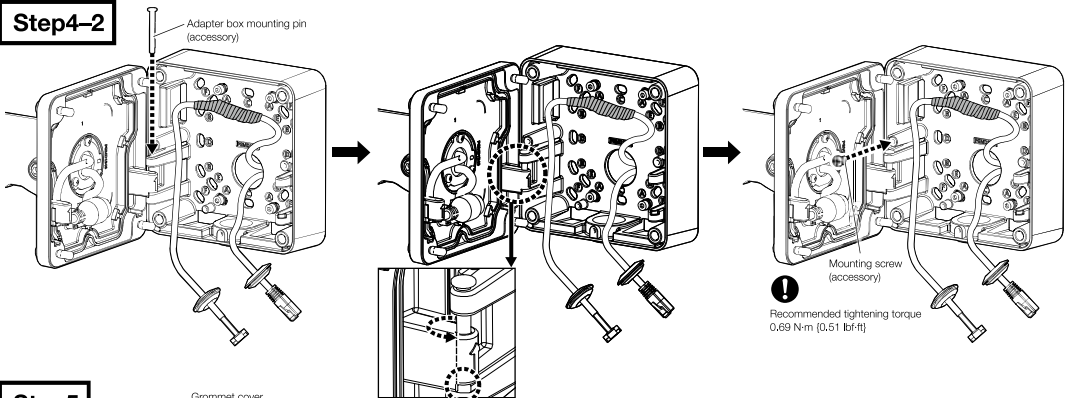
## Step3



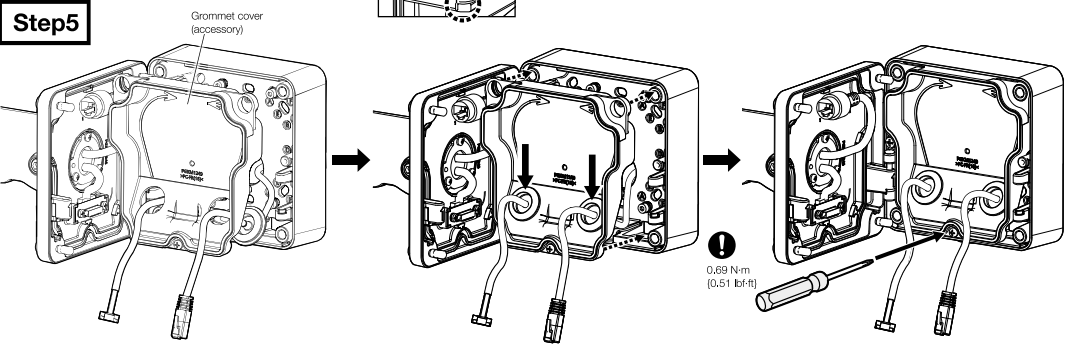
## Step4-1



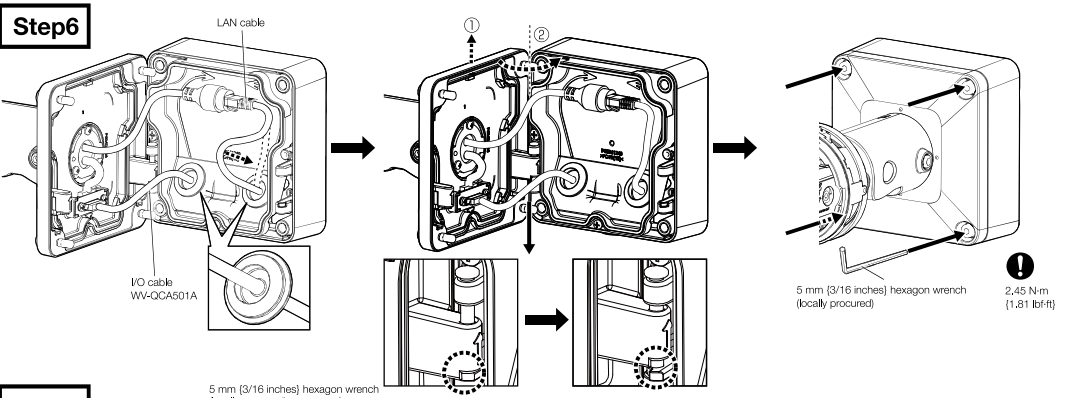
### Step4-2



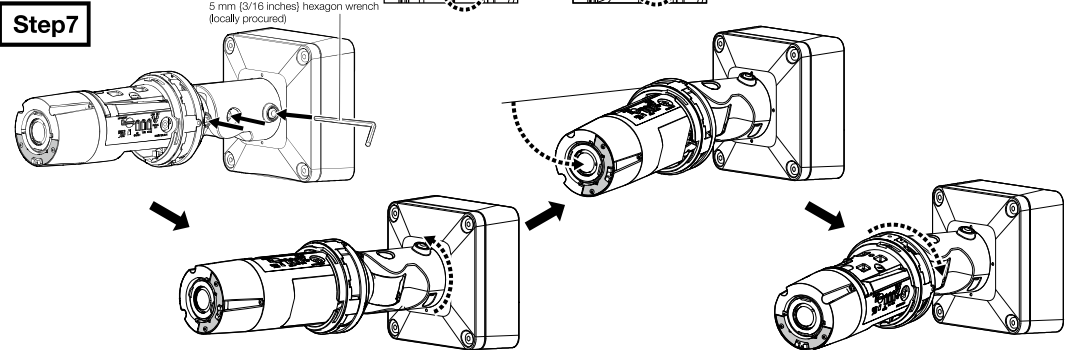
### Step5



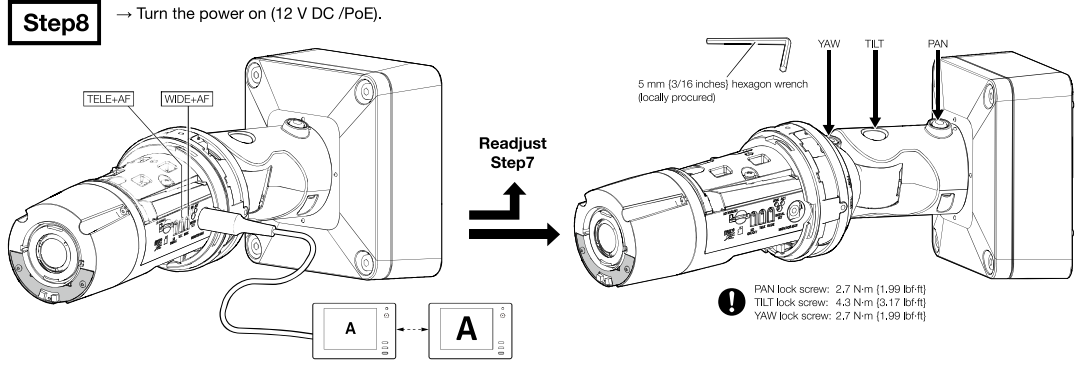
### Step6



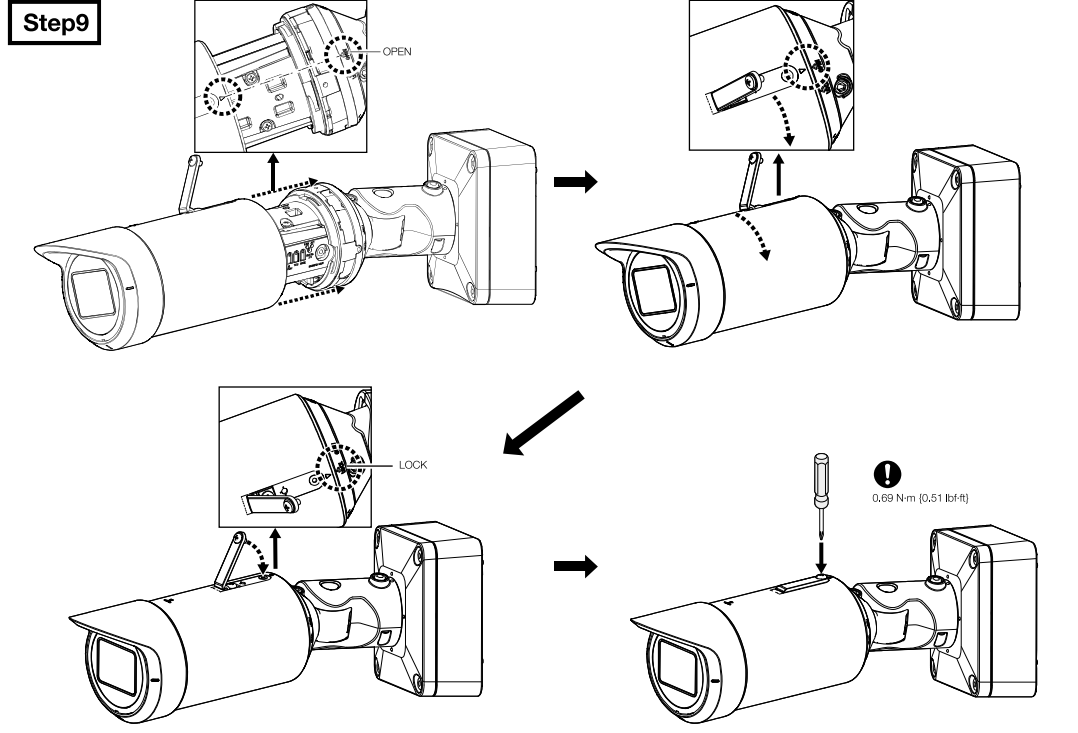
### Step7



### Step8



### Step9



### Step10

